

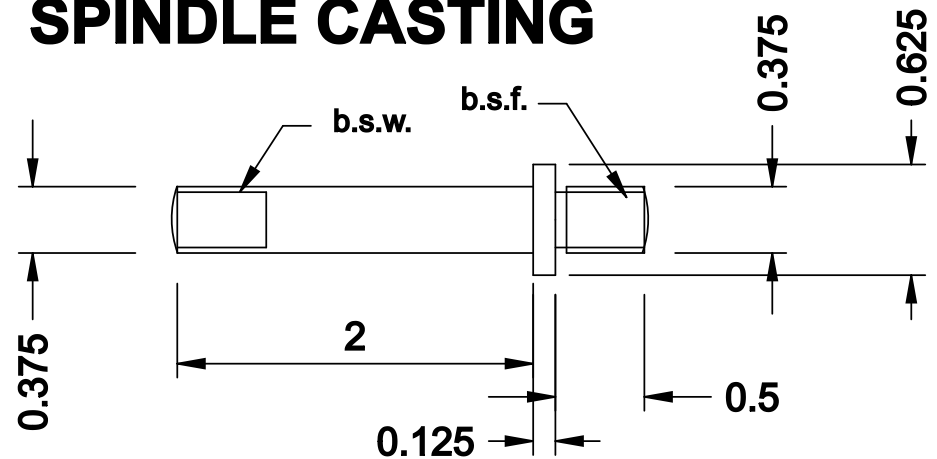
POTTS MILLING SPINDLE / SPINDLE CASTING

All sizes have been taken from G.P.Potts original scale drawings.

Only machining sizes are shown some of which must be matched to other parts

Tapping sizes are not given please refer to appropriate tables

Not all hidden detail is shown



Shown above the casting stud, thread as necessary