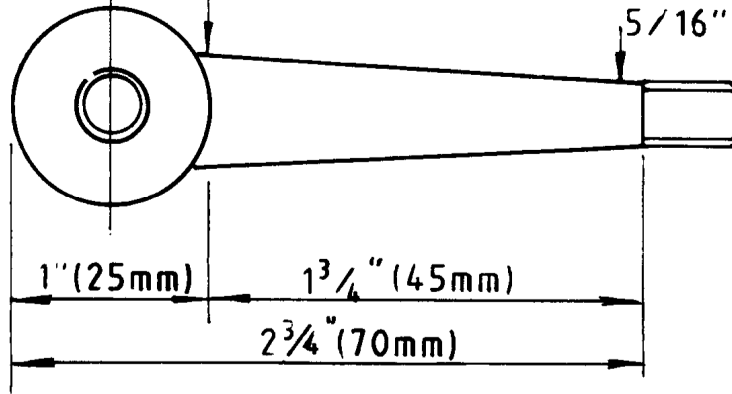


5/8" (15mm) DIA.

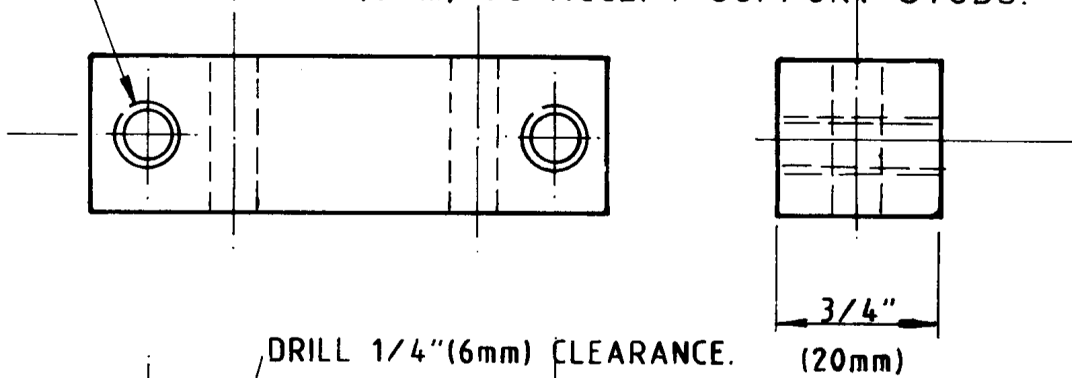
5/16" (8mm) DIA.



SLOTS TO SUIT SIZE OF TOOLS & LATHE CENTRE HEIGHT.

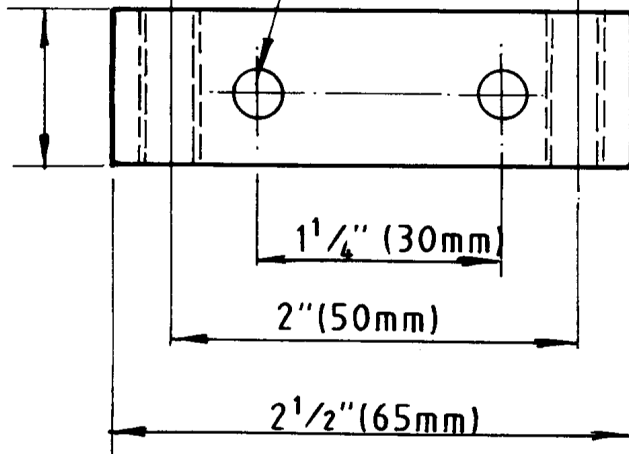
SECURING HANDLE
ONE OFF- MILD STEEL.

TAP 5/16" (8mm) TO ACCEPT SUPPORT STUDS.



DRILL 1/4" (6mm) CLEARANCE.

1/4" (20mm)



SUPPORT BAR.
ONE OFF MILD STEEL.