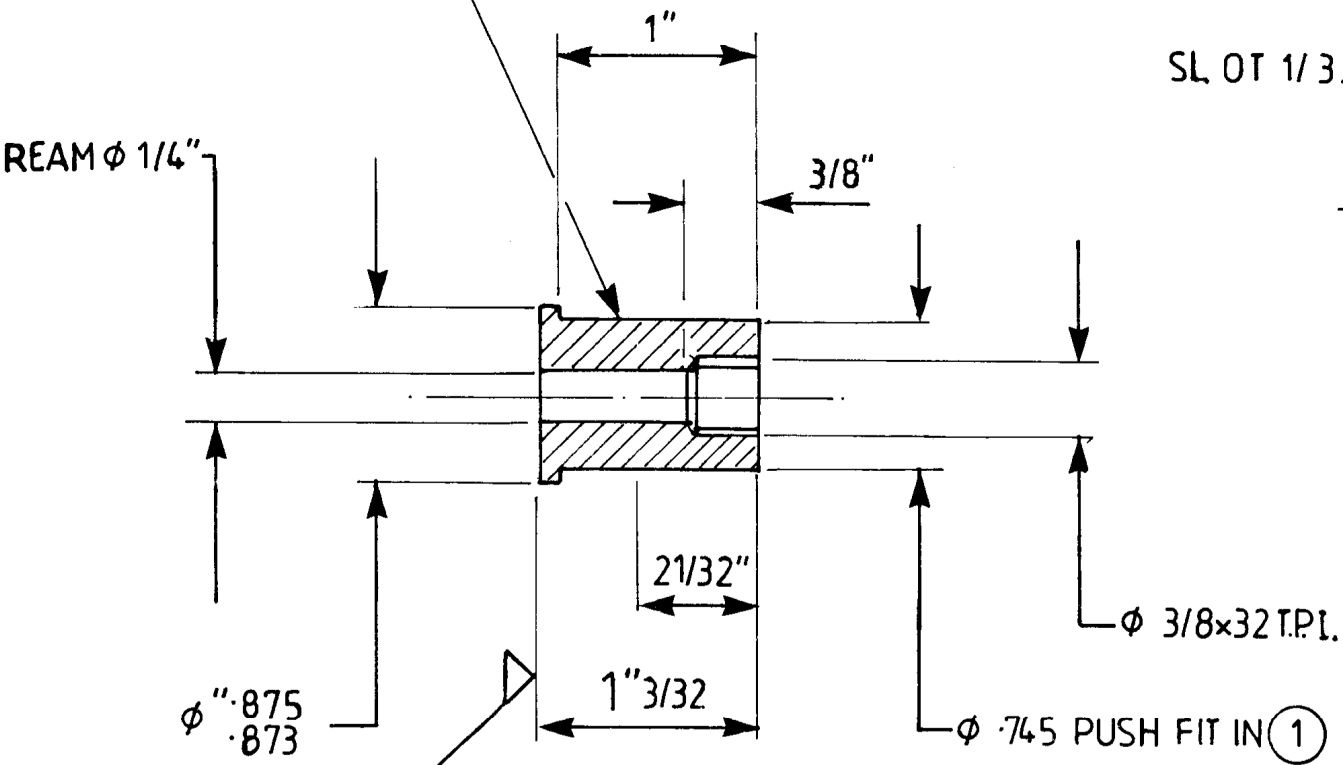


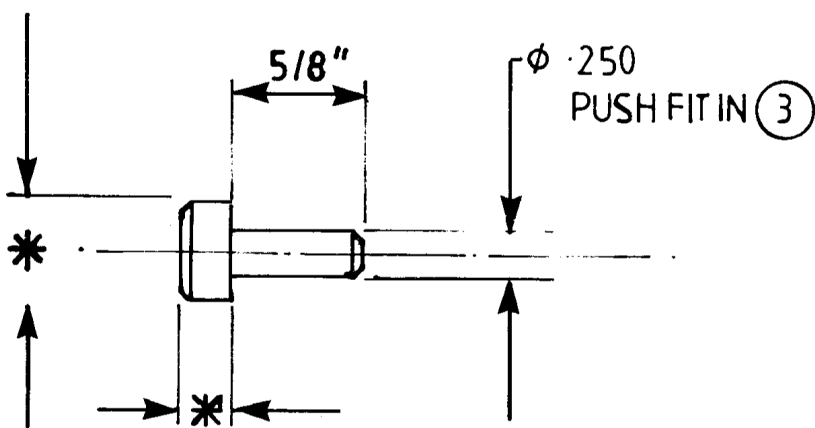
ITEM (3) PIVOT MILD STEEL QTY. 1.

ITEM (4)
".115

$\phi .752$
PRESS FIT IN (2)

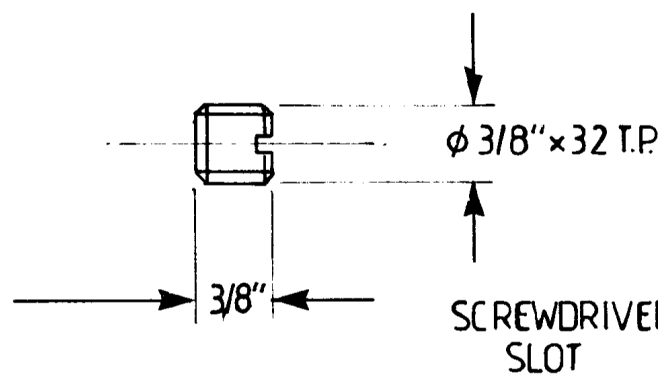


MACHINE TABLE FACE AND PIVOT AFTER ASSEMBLY.



DIMS. TO SUIT COMPONENT.

LOCATING PIN MILD STEEL QTY. 1.



ITEM 8 PLUG MILD STEEL