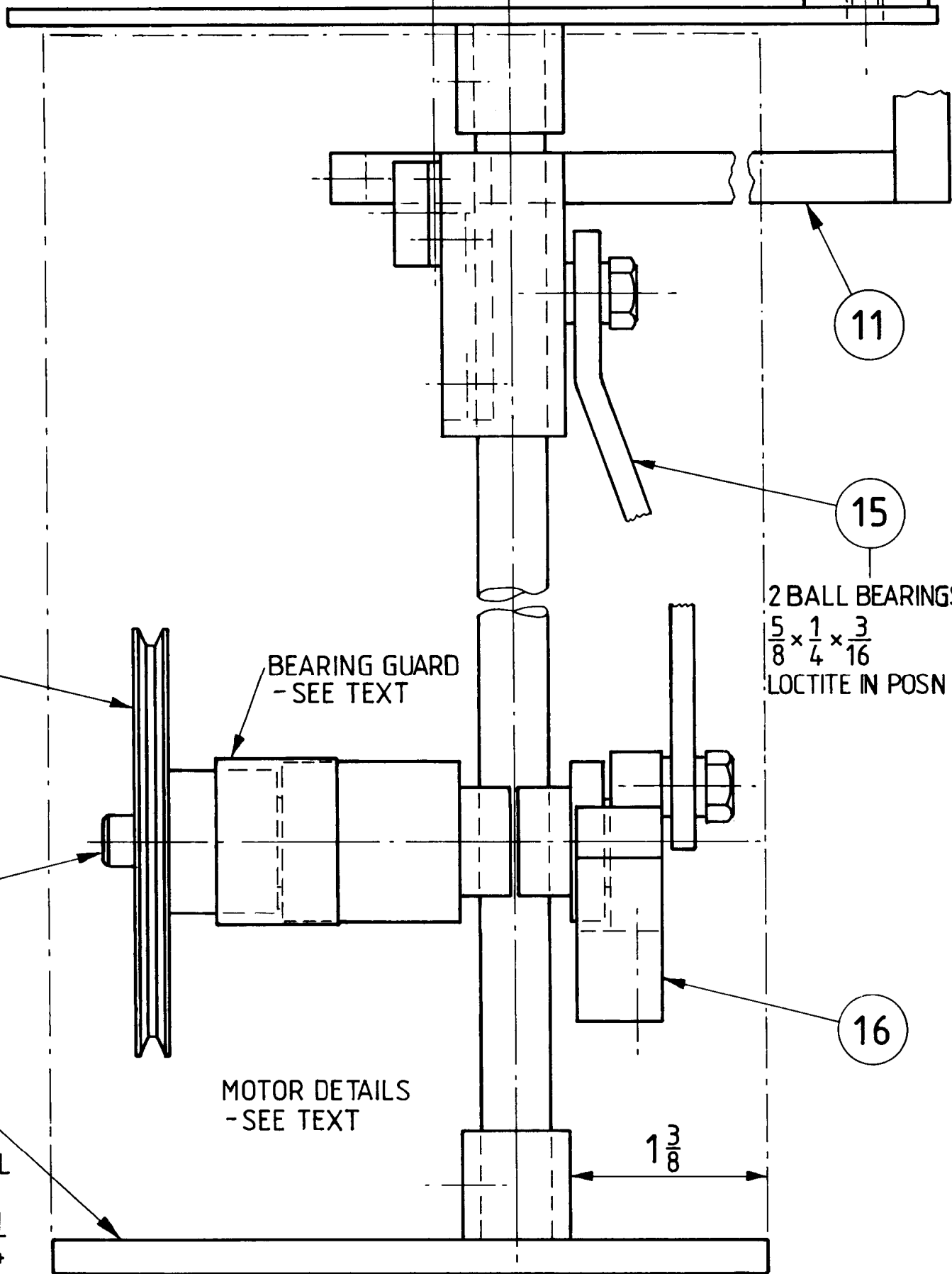
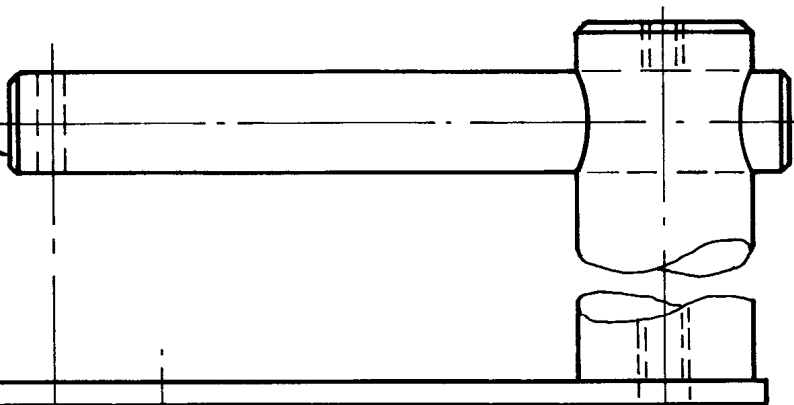


13



Φ18

11

15

2 BALL BEARINGS
 $\frac{5}{8} \times \frac{1}{4} \times \frac{3}{16}$
 LOCTITE IN POSN

BEARING GUARD
- SEE TEXT

MOTOR DETAILS
- SEE TEXT

16

$\frac{1}{8}$

E
STL
1
 $5 \times \frac{1}{4}$

IT

IT