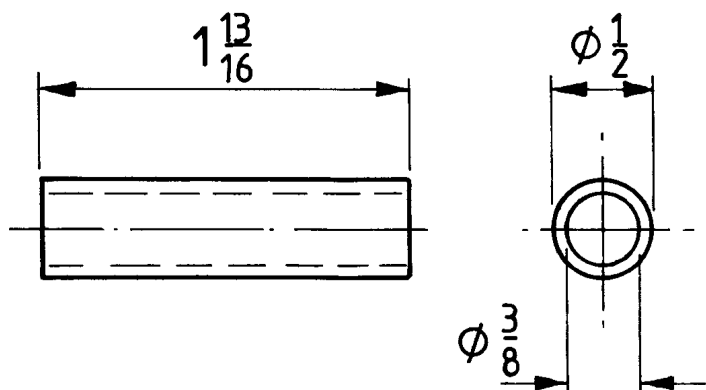
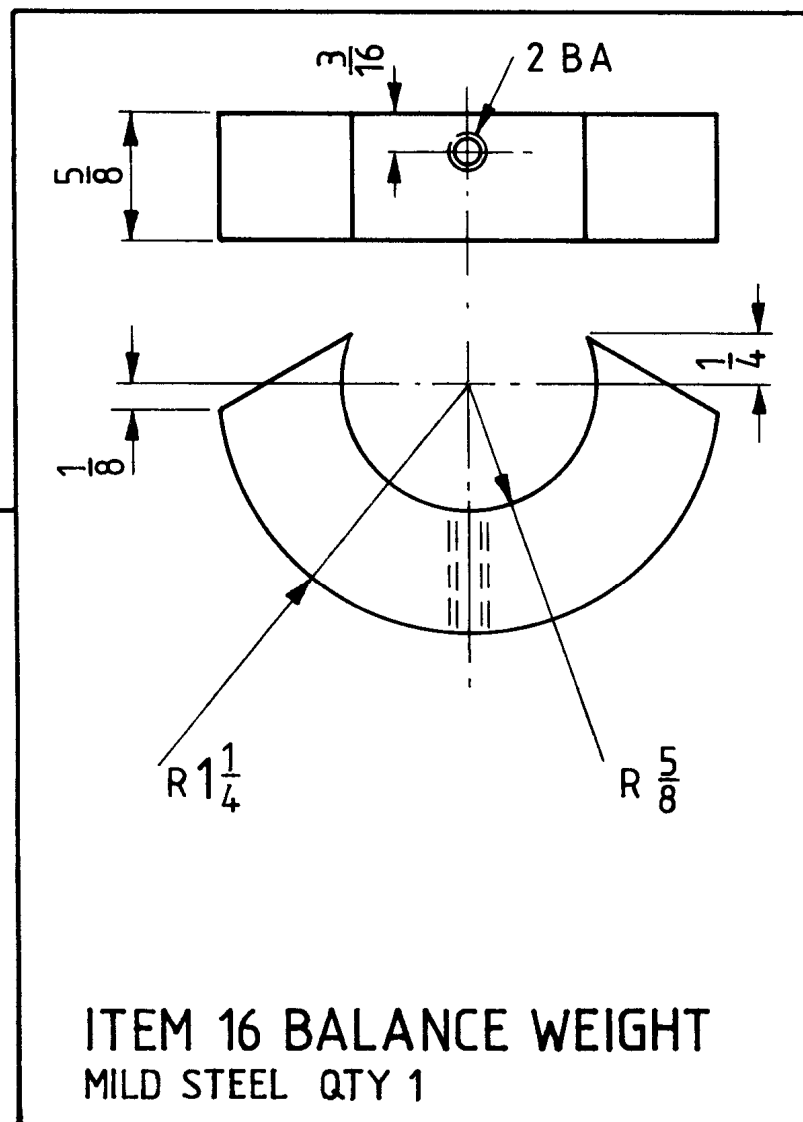


ITEM 11 FRAME MILD STEEL QTY 1



ITEM 8 SPACER MILD STL QTY 1



ITEM 16 BALANCE WEIGHT
MILD STEEL QTY 1