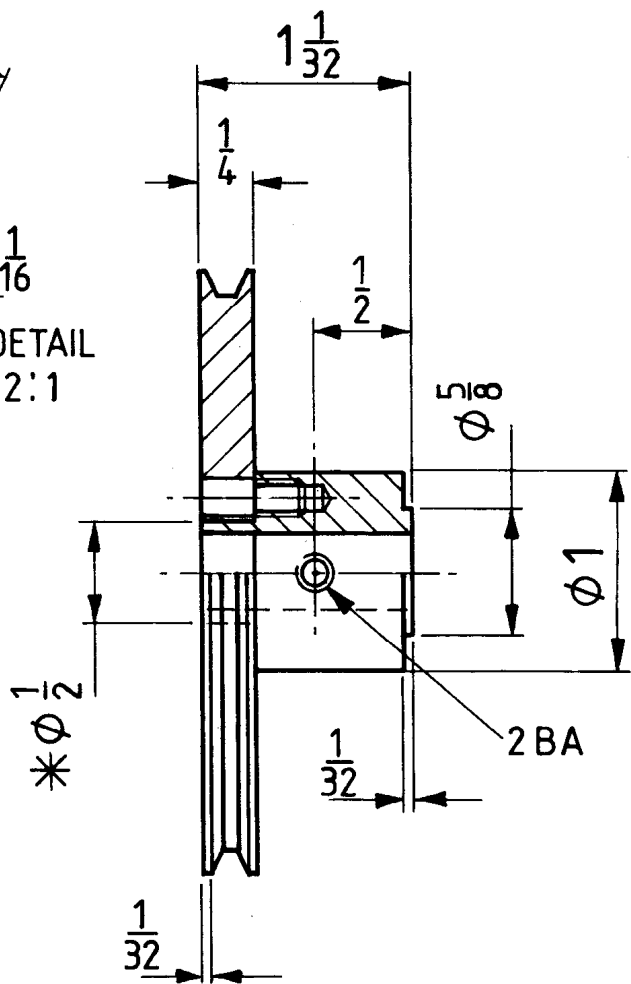
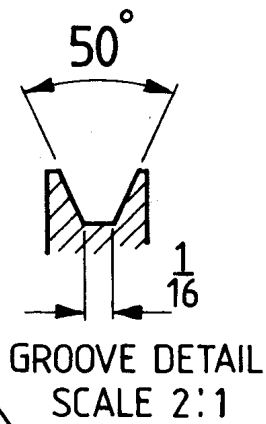
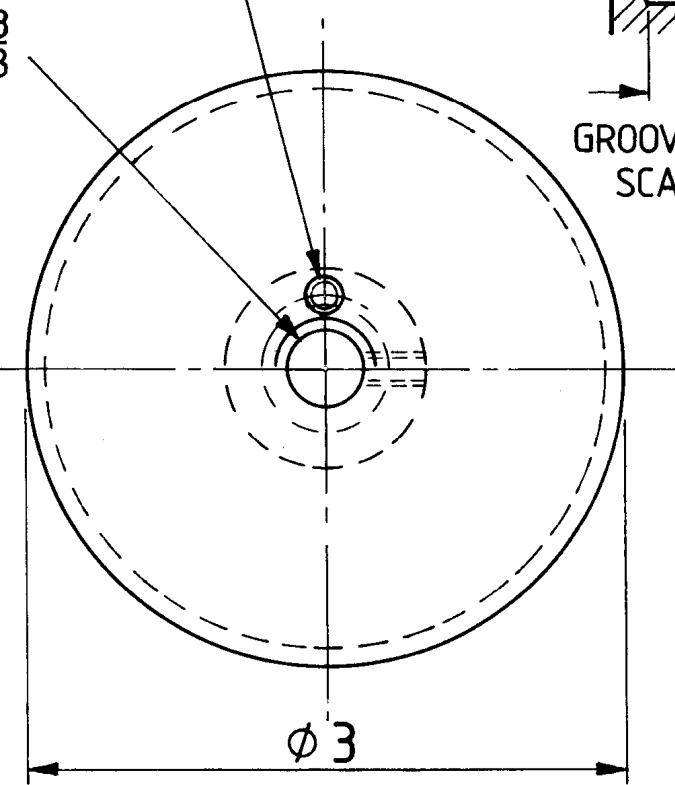
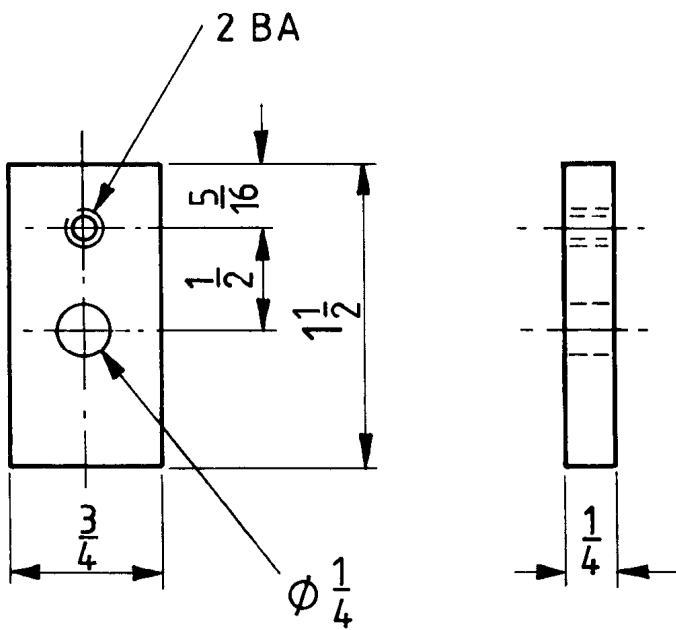


3 HOLES FOR 2 BA SCREWS
ON $\frac{3}{4}$ PCD

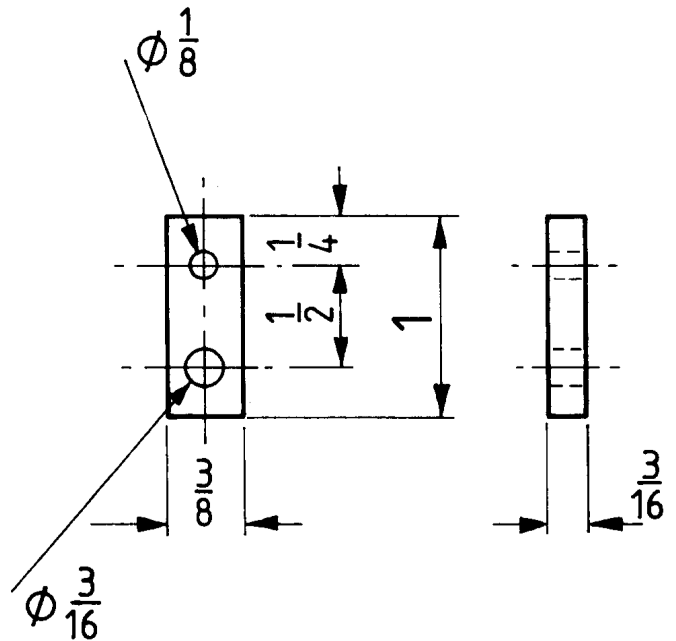


* DETAILS IF NOT M/CD FROM SOLID

ITEM 9 PULLEY MILD STEEL QTY 1



ITEM 10 CLAMP MILD STEEL QTY 1



ITEM 12 CLAMP MILD STL QTY 2