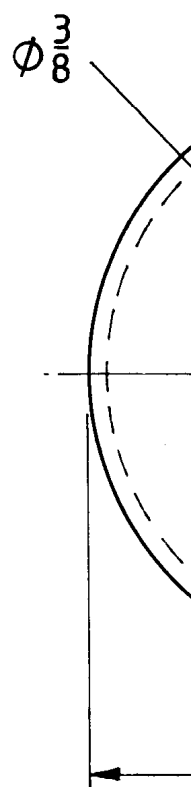
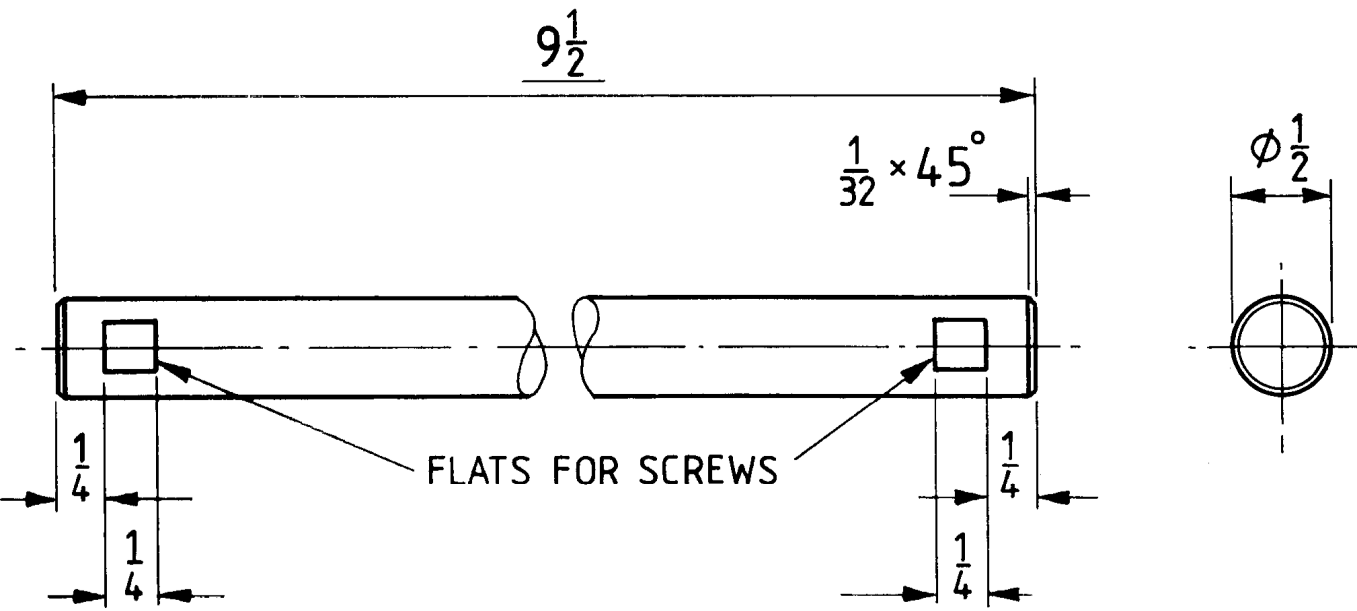


* 3 HOLES ON $\frac{3}{4}$



ITEM 6 WORKTABLE MILD STEEL QTY 1 SCALE 1:2



ITEM

ITEM 17 GUIDE PRECISION GROUND MILD STEEL QTY 2

FRET SAW/FILING MACHINE
 DESIGNED BY G. GRAY

ITEM