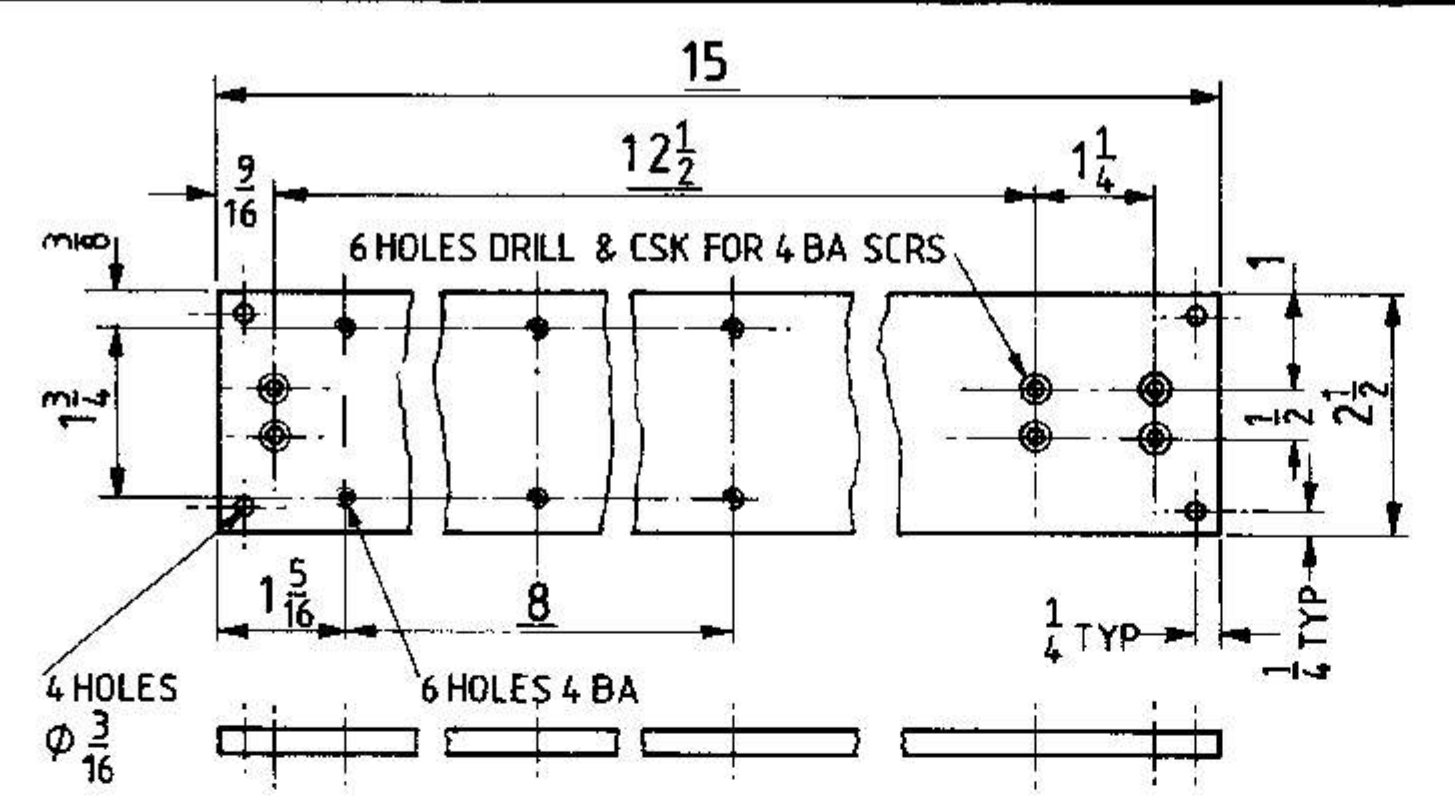
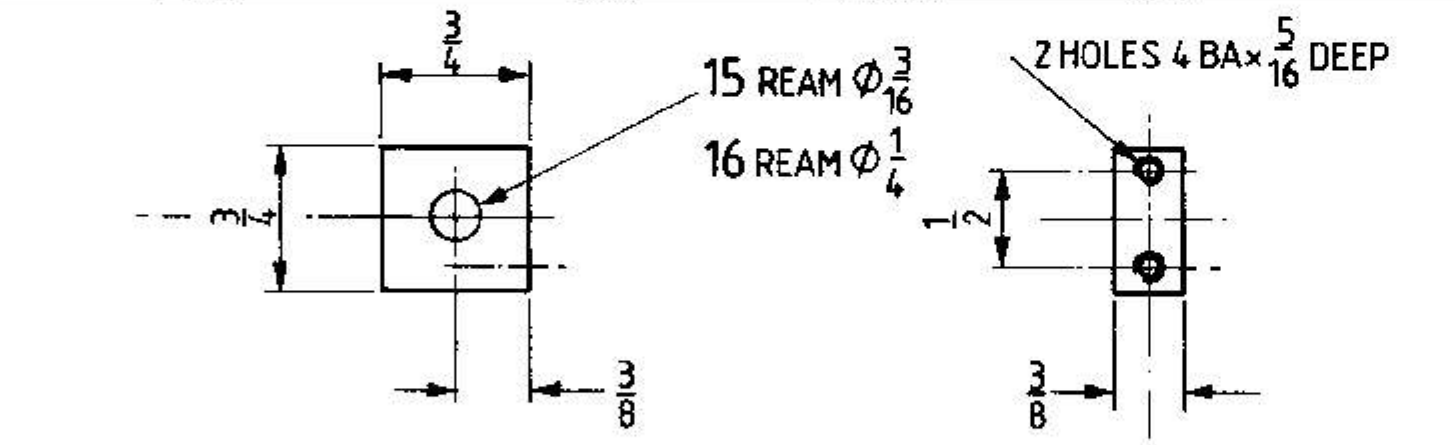


ITEM 13 MOTOR & PULLEY PLATE ALUMINIUM ALLOY QTY 1



ITEM 14 BASEPLATE ALUM ALLOY OR MILD STEEL QTY 1 SCALE 1:2

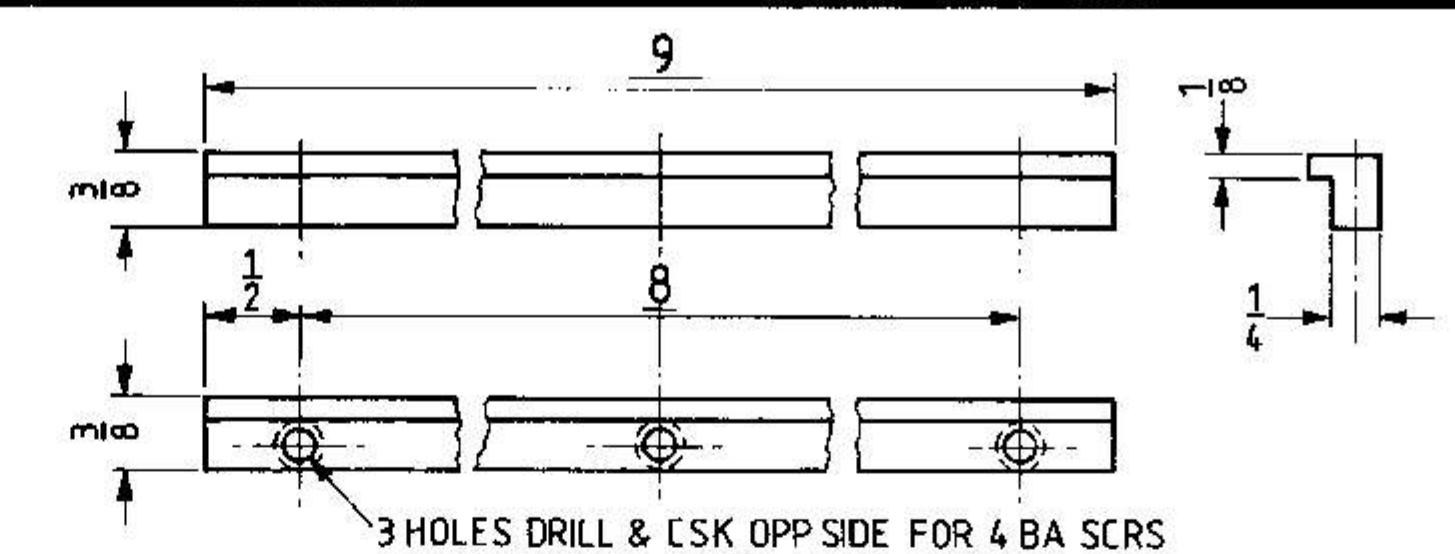


ITEMS 15 & 16 BEARING BLOCKS MILD STEEL QTY 1 EACH

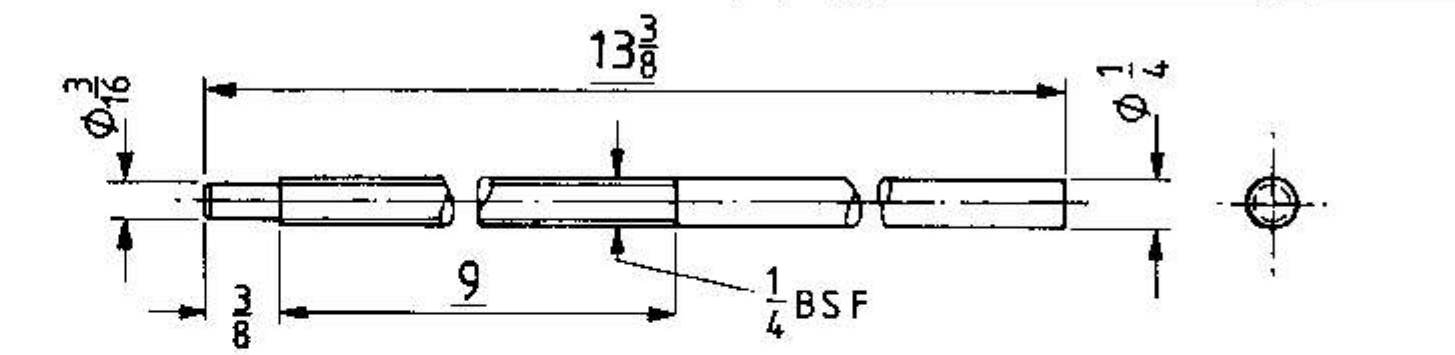
# A DRILL SHARPENING JIG

BY C.M. MacEke.

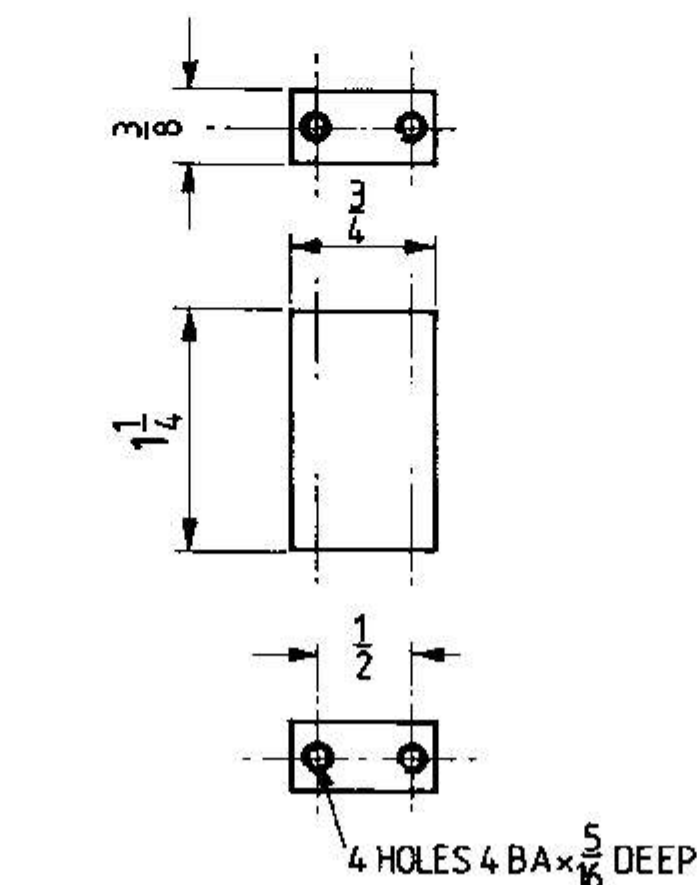
THIRD ANGLE PROJECTION DIMENSIONS IN INCHES  
 PRESENTED IN ISSUE 17 OF MODEL ENGINEERS WORKSHOP  
 COPYRIGHT ARGUS SPECIALIST PUBLICATIONS, ARGUS HOUSE,  
 BOUNDARY WAY, HEMEL HEMPSTEAD, HERTS. HP2 7ST



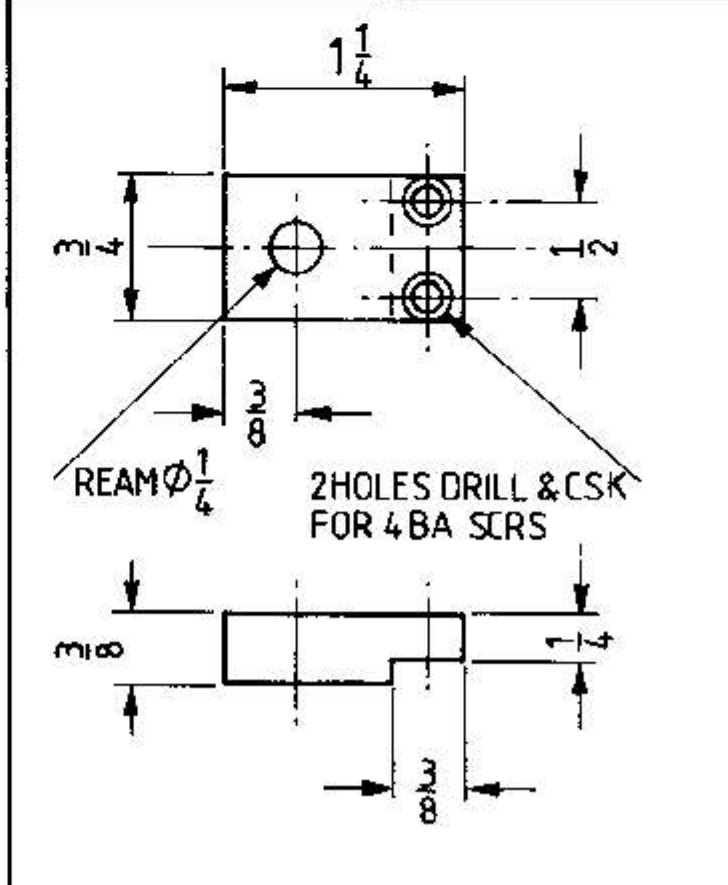
ITEM 17 GUIDE MILD STEEL QTY 2



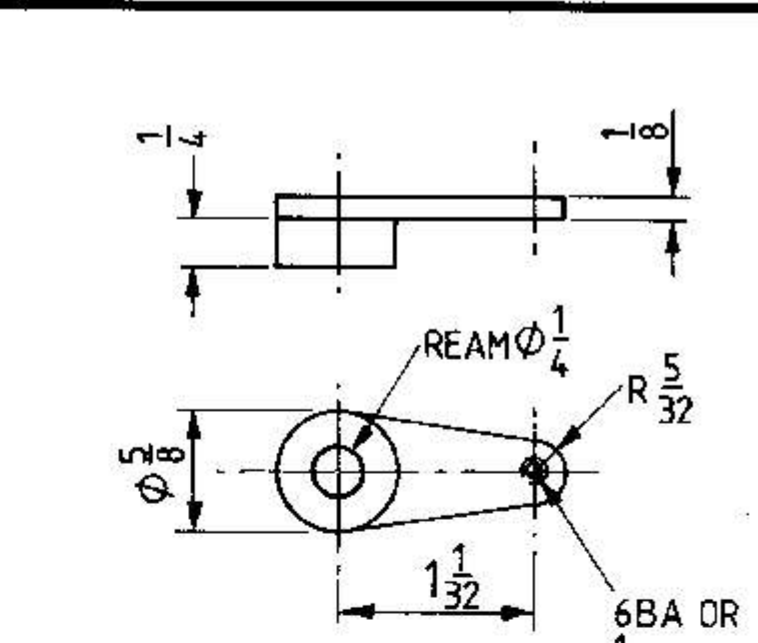
ITEM 18 SHAFT MILD STEEL QTY 1



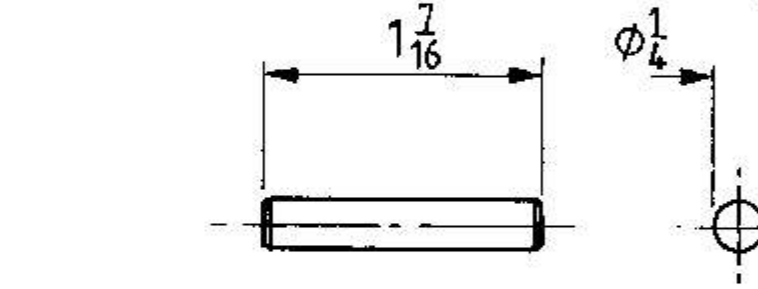
ITEM 19 BLOCK MILD STEEL QTY 1



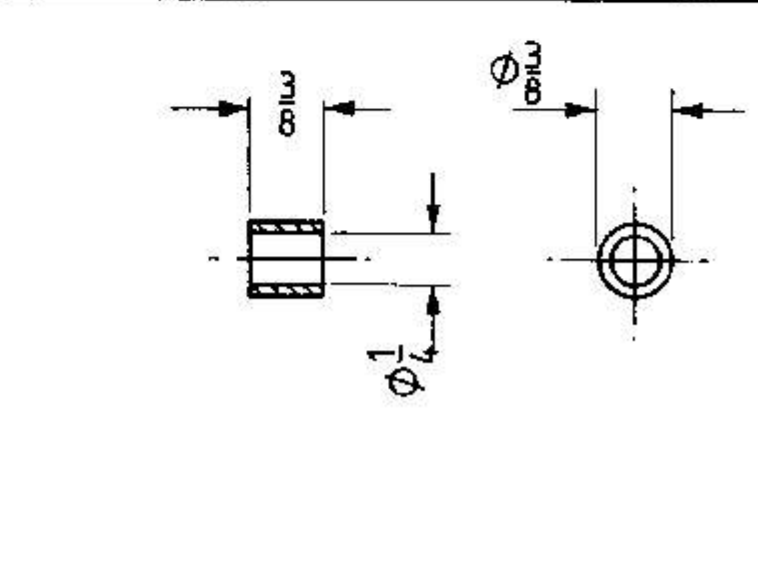
ITEM 20 BEARING BLOCK



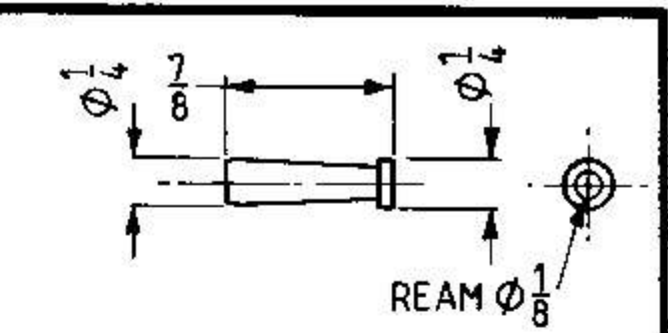
ITEM 21 WINDER MILD STEEL QTY 1



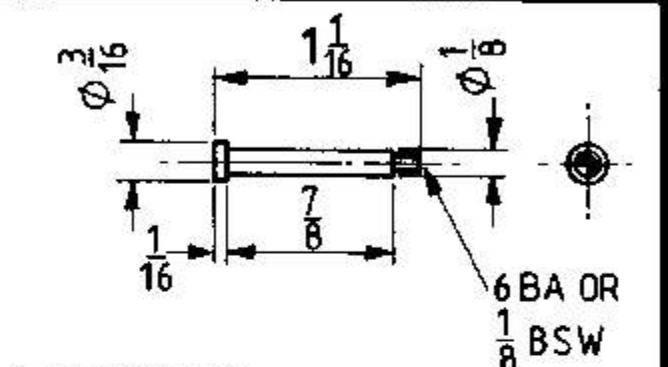
ITEM 24 SHAFT MILD STEEL QTY 1



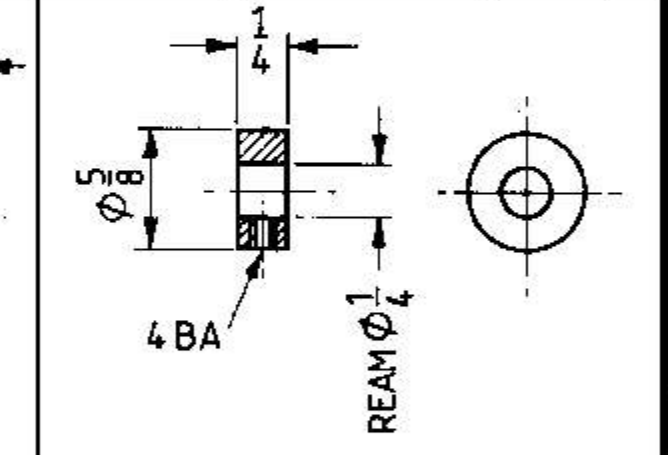
ITEM 26 SPACER MILD STEEL QTY 1



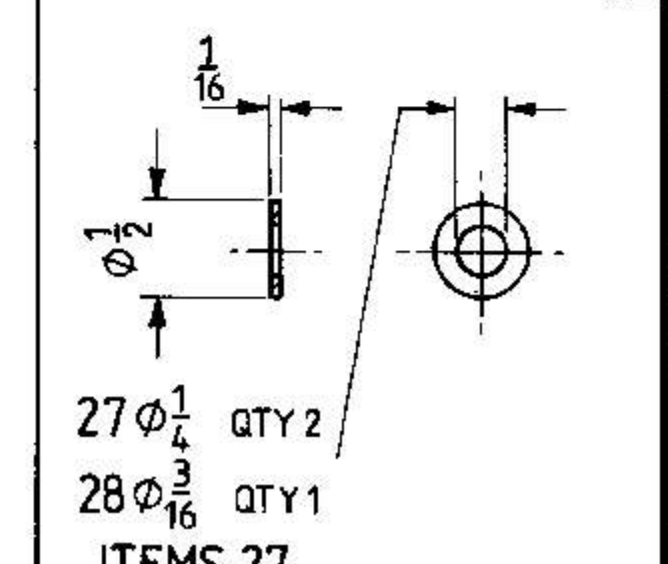
ITEM 22 HANDLE MILD STL QTY 1



ITEM 23 PIN MILD STL QTY 1



QTY 2 (USED ON ITEM 21)  
 ITEM 25 COLLAR MILD STL



ITEMS 27 & 28 WASHERS BRASS