

Boring Head

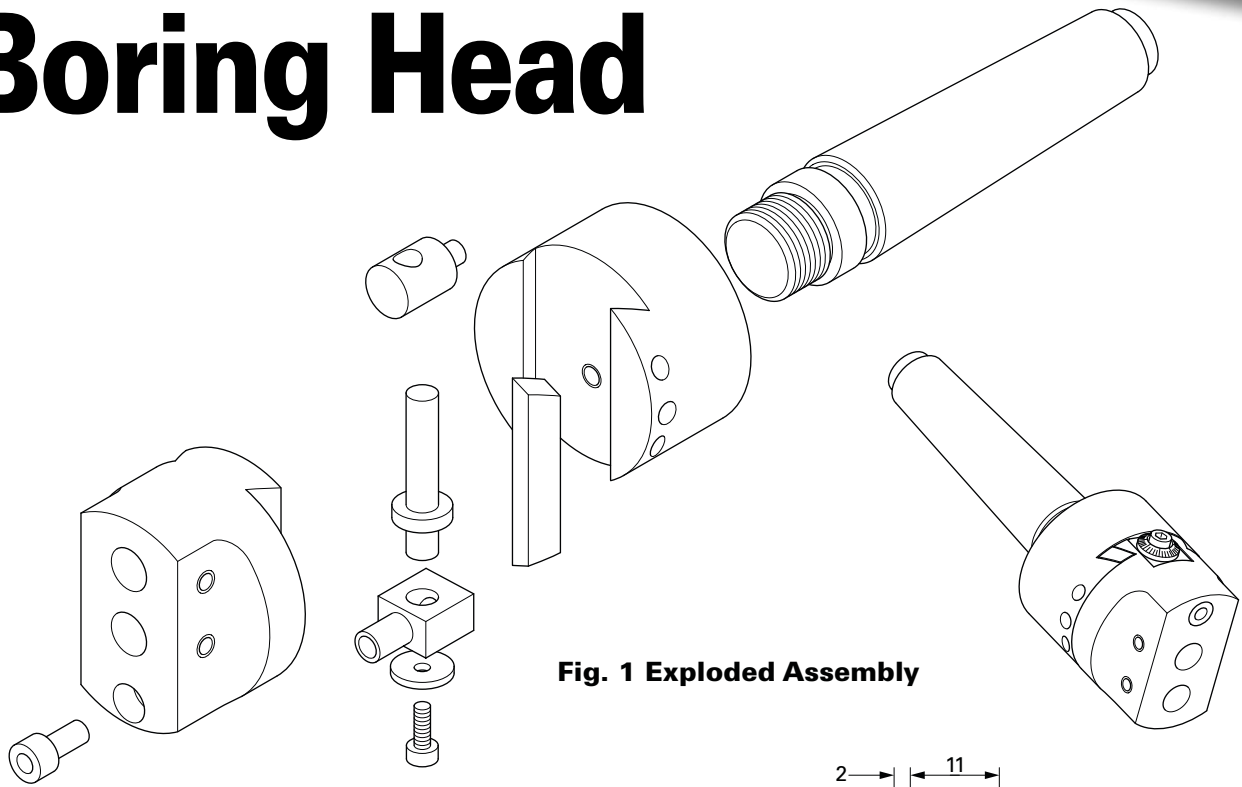


Fig. 1 Exploded Assembly

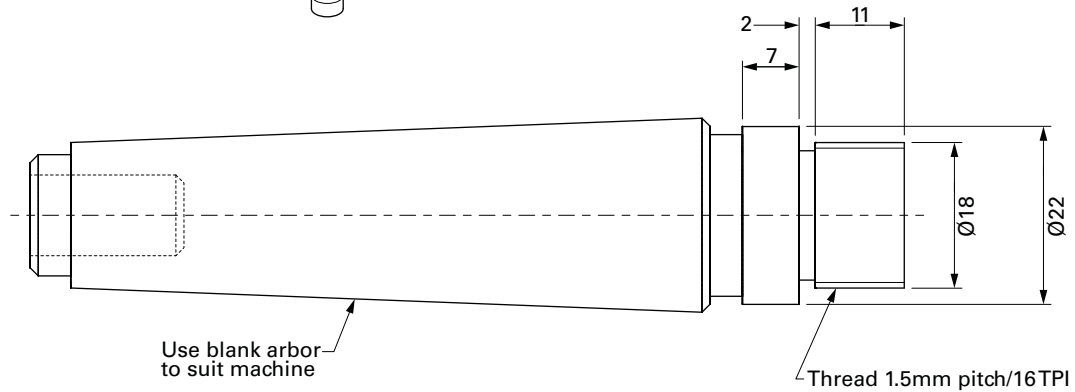


Fig. 2 Arbor

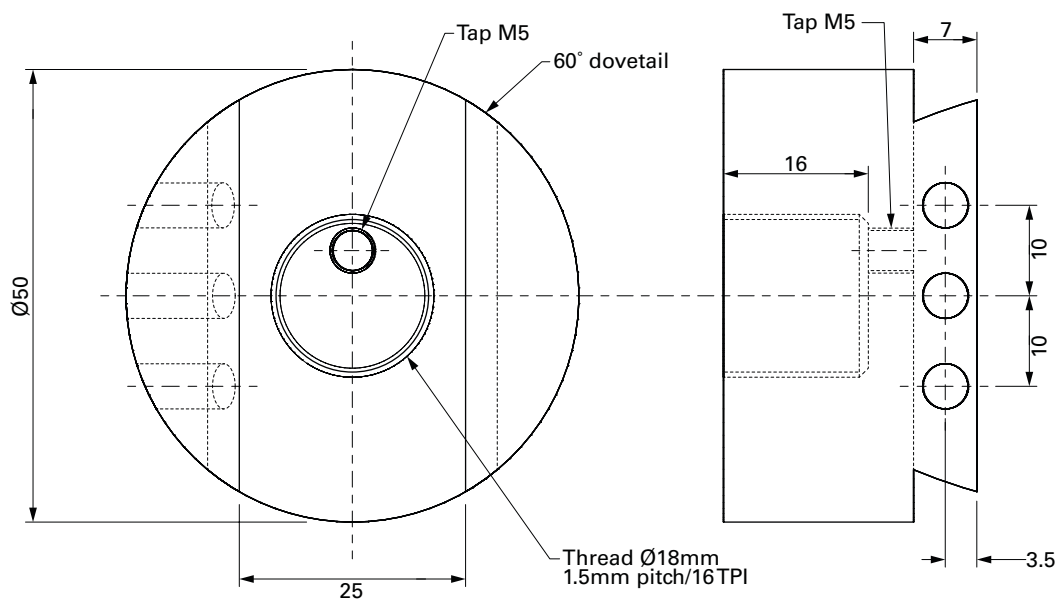


Fig. 3 Body

Mat'l: M.S.
 Use $\varnothing 2$ in bar, machine Body & Slide to finished dimension together

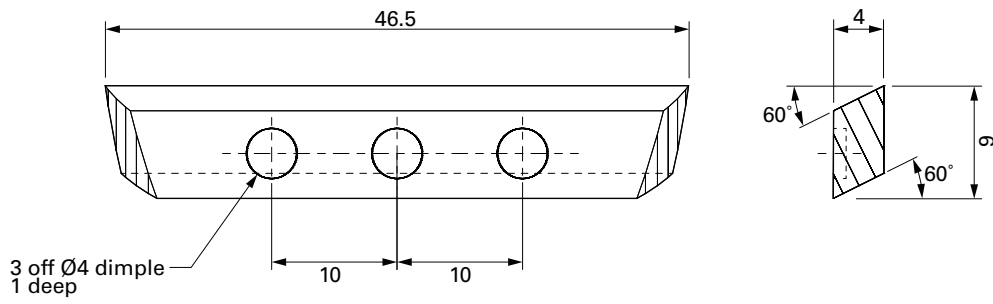


Fig. 4 Gib Strip

Mat'l: Brass or M.S.
Trim ends flush in place

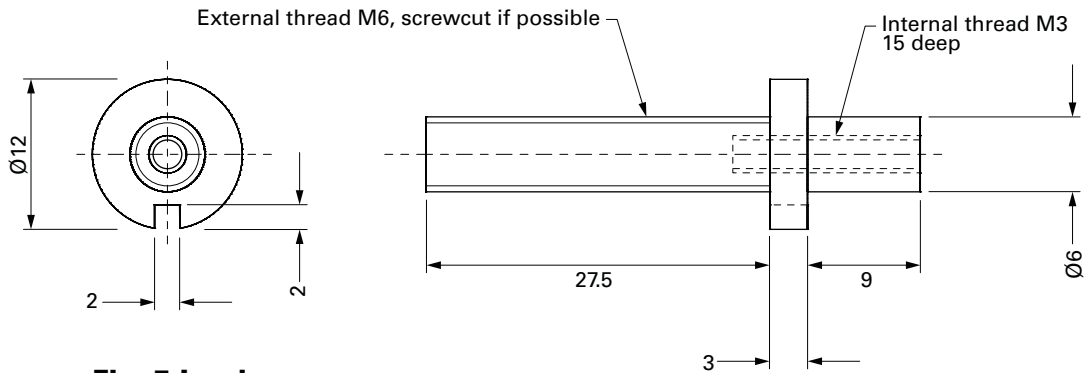


Fig. 5 Leadscrew

Mat'l: M.S.

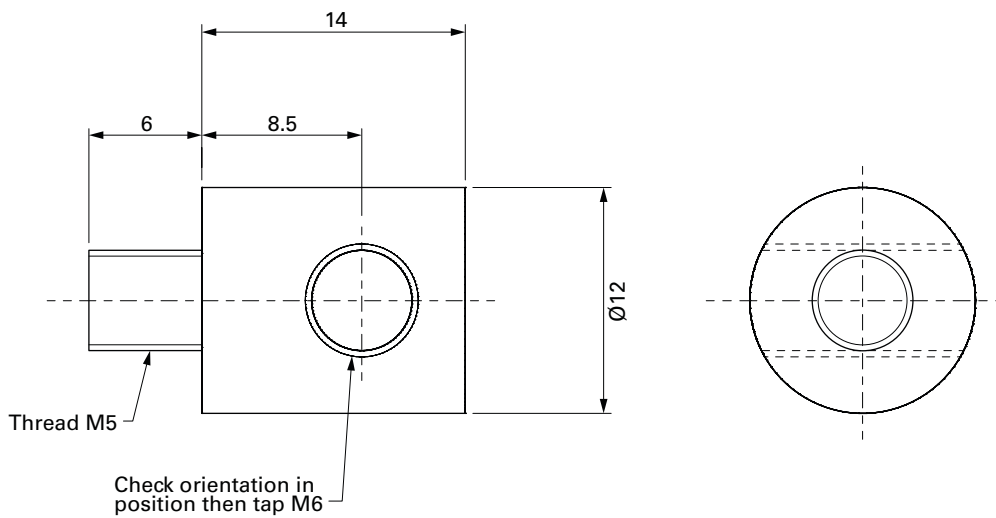


Fig. 6 Leadscrew Nut

Mat'l: M.S. or bronze

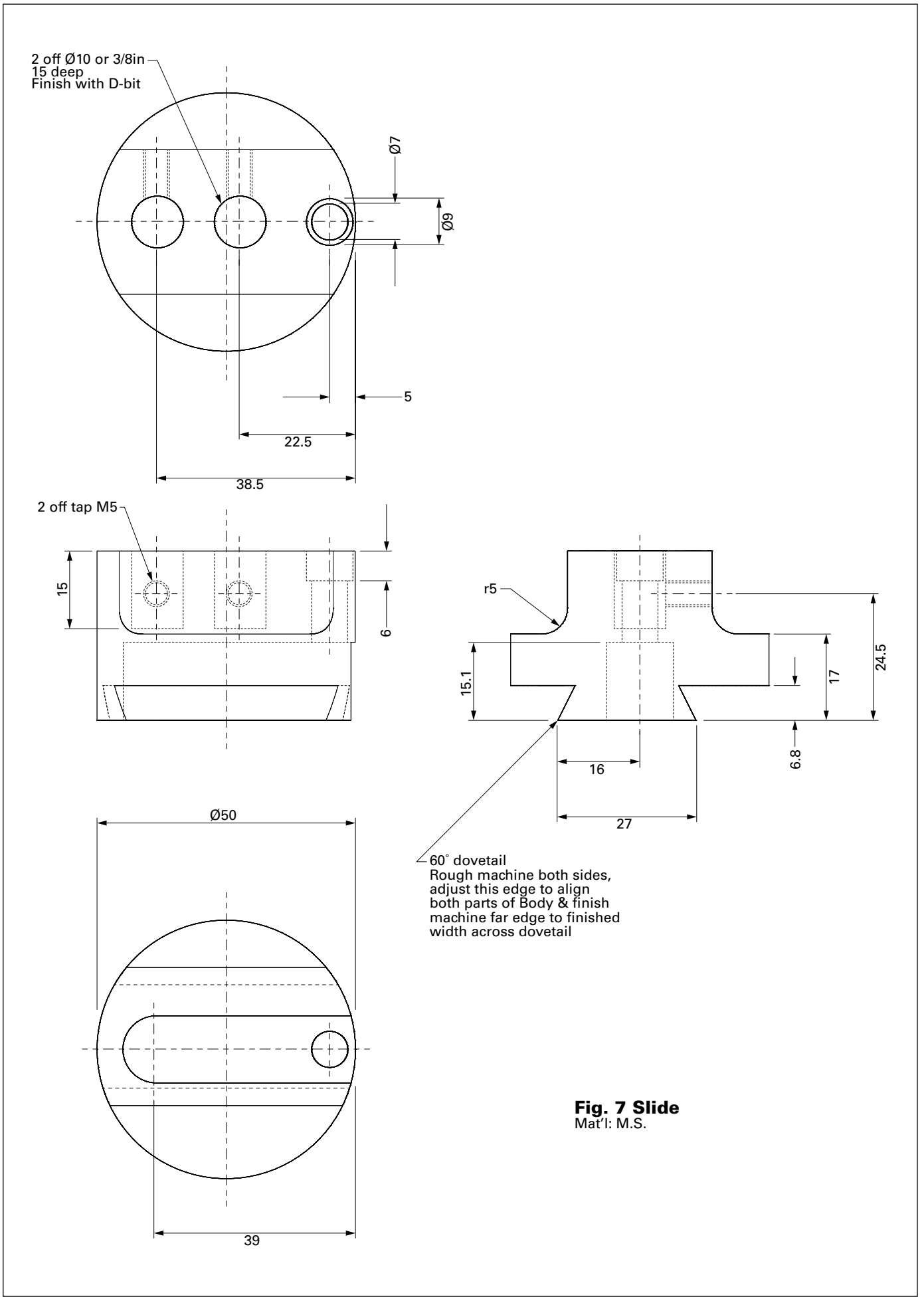


Fig. 7 Slide
Mat'l: M.S.

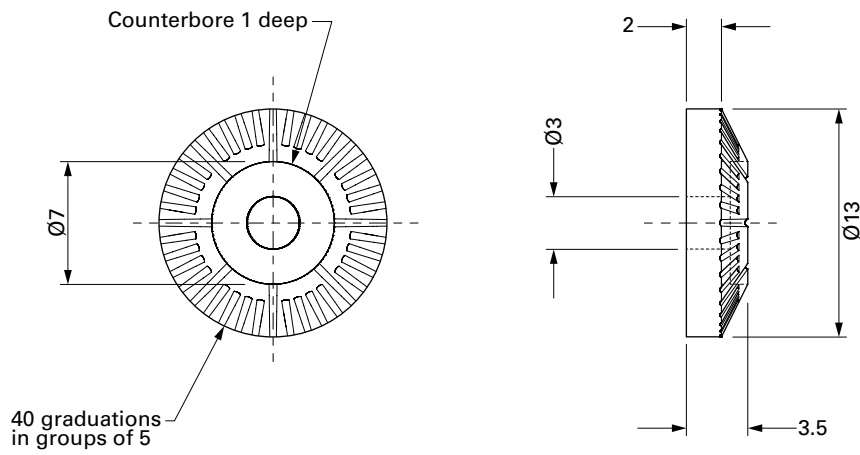


Fig. 8 Index Dial
Mat'l: Brass

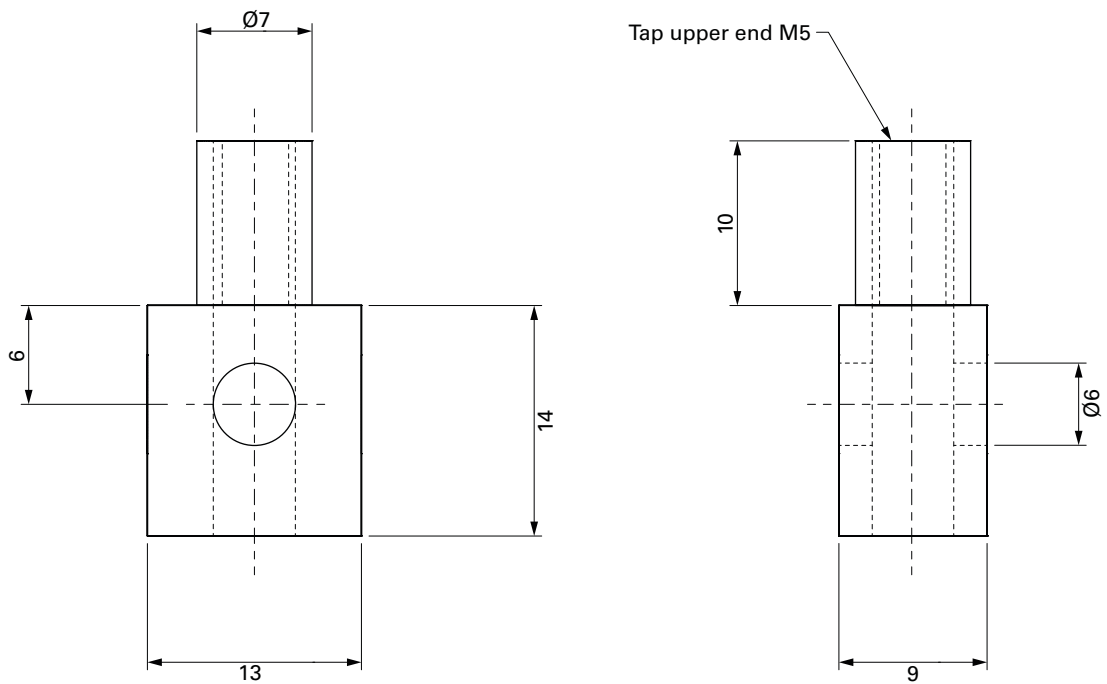


Fig. 9 Leadscrew Support
Mat'l: M.S.