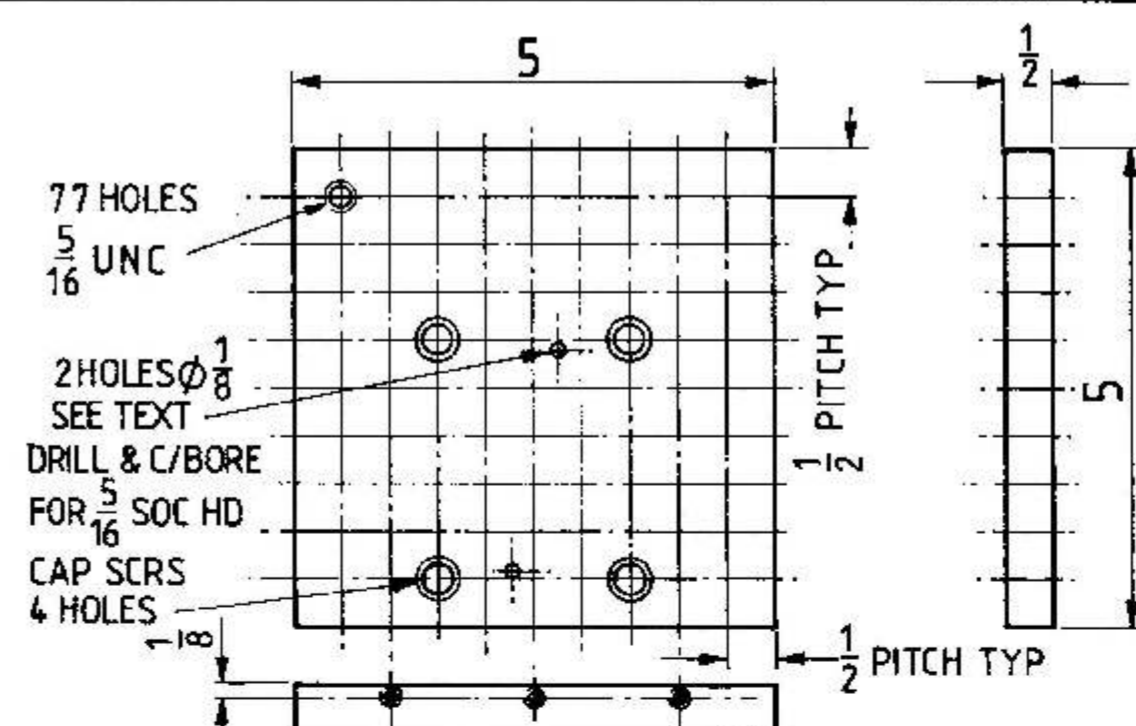
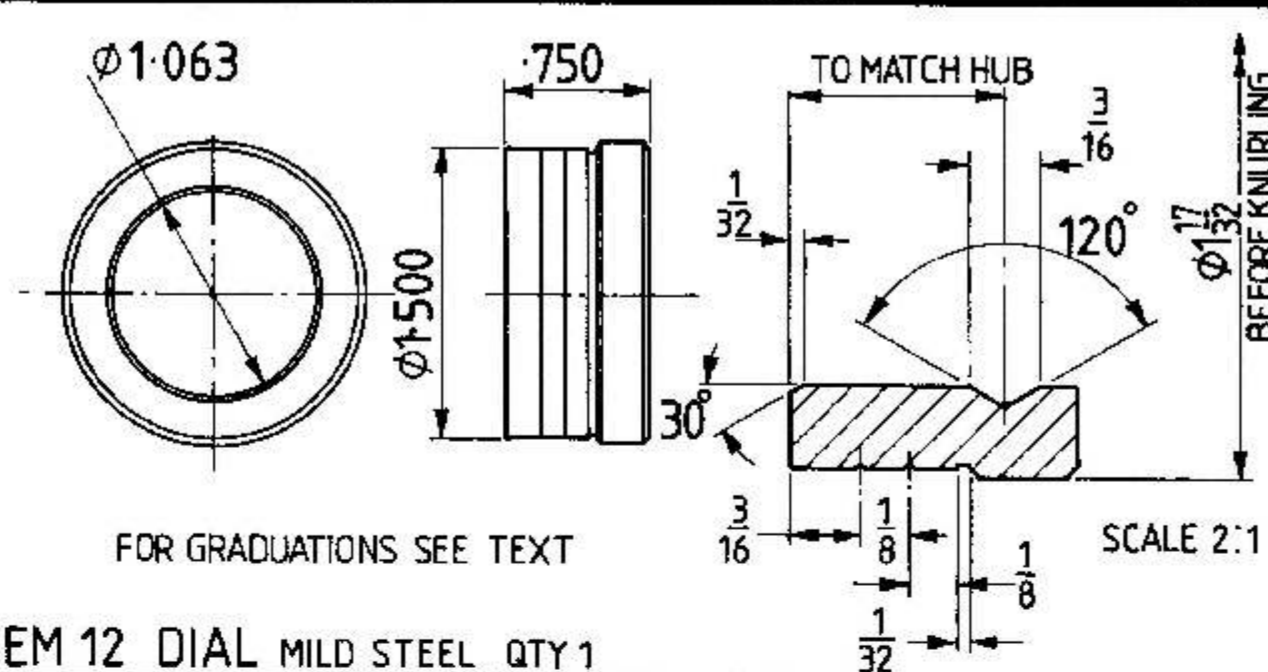


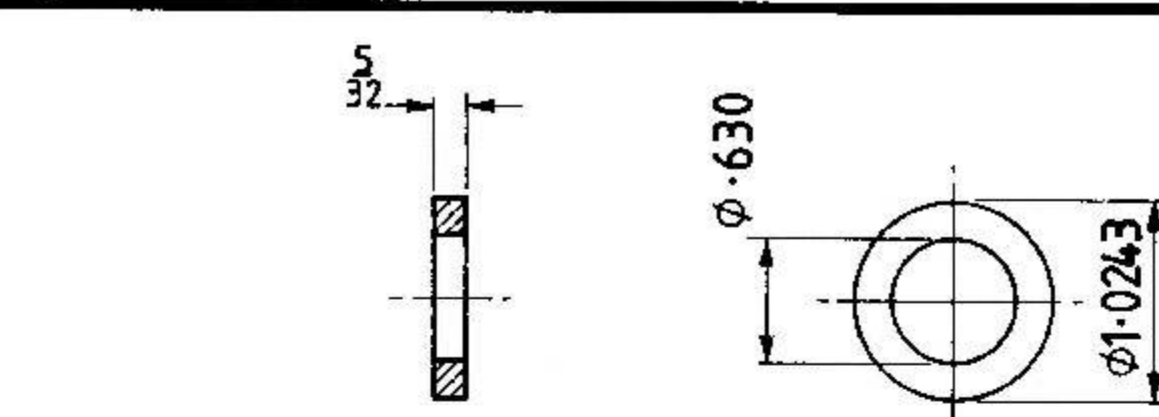
SCALE 1:2  
ITEM 7 MOVING SLIDE CAST IRON QTY 1



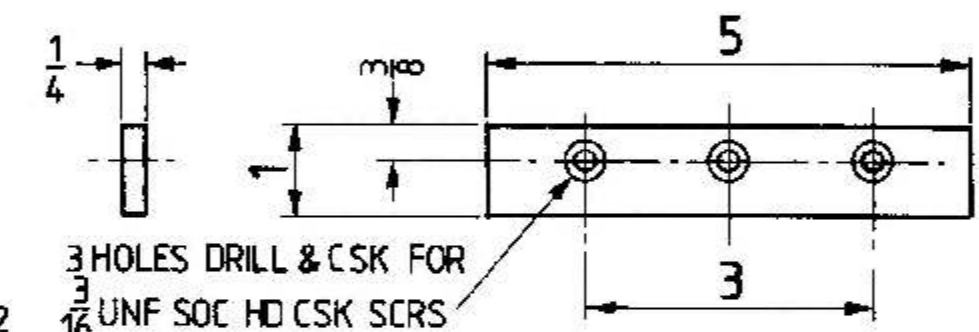
ITEM 10 WORK PLATE MILD STEEL SCALE 1:2 QTY 1



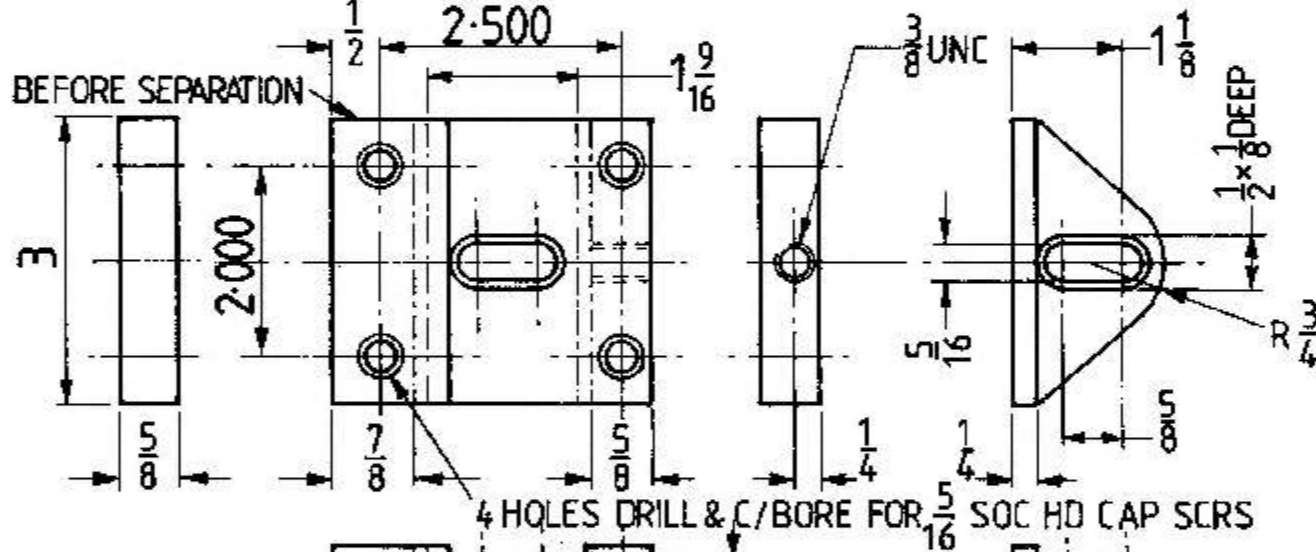
ITEM 12 DIAL MILD STEEL QTY 1



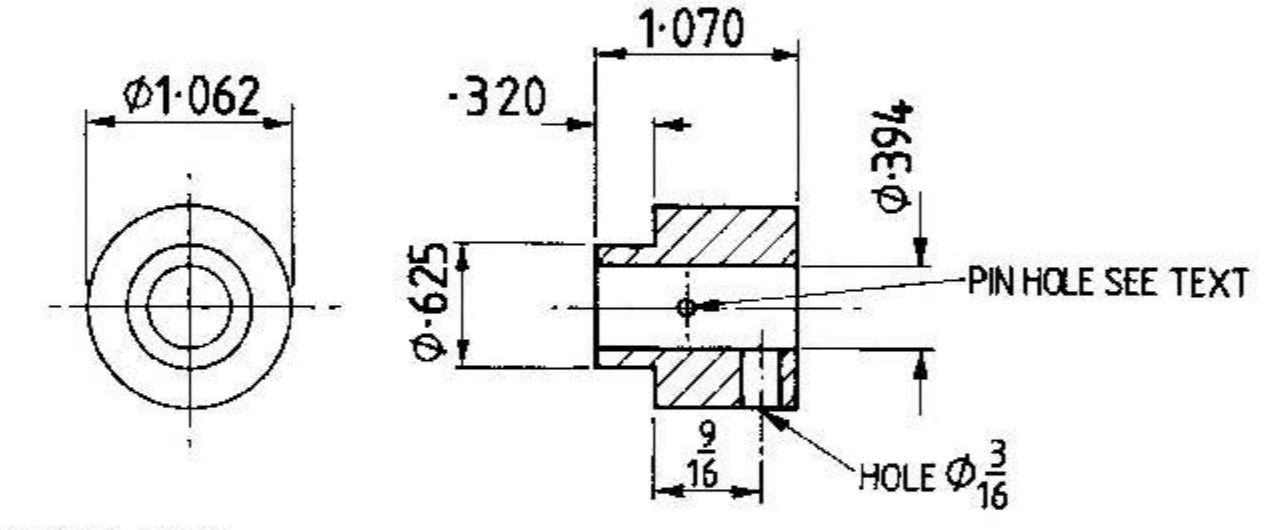
ITEM 15 SPACER MILD STEEL QTY 1



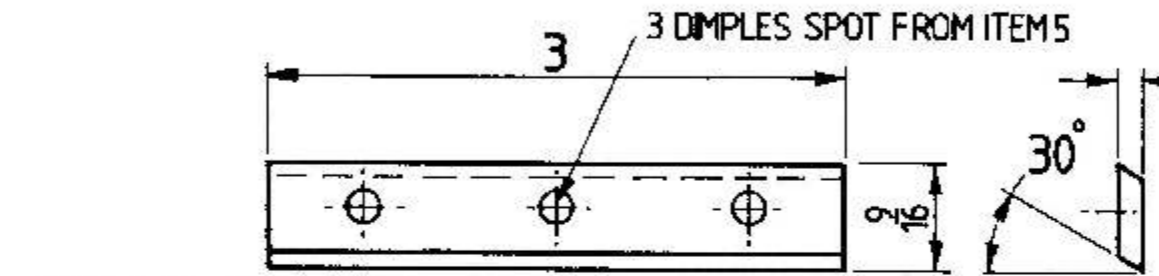
SCALE 1:2  
ITEM 9 DATUM PLATE MILD STEEL QTY 1



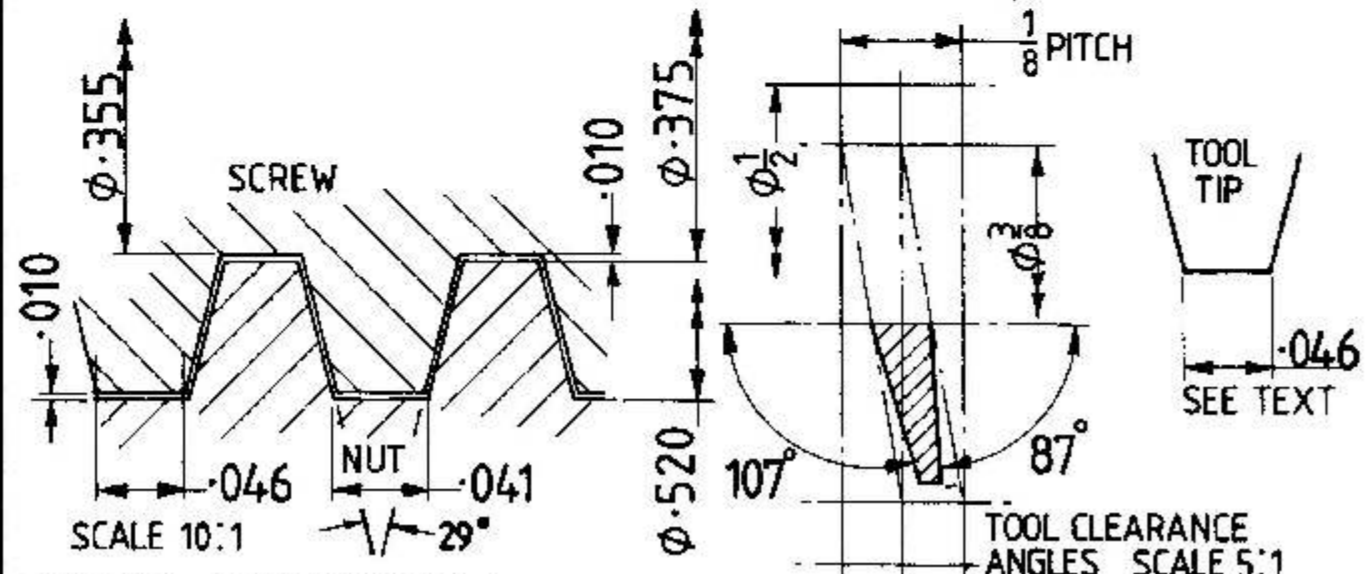
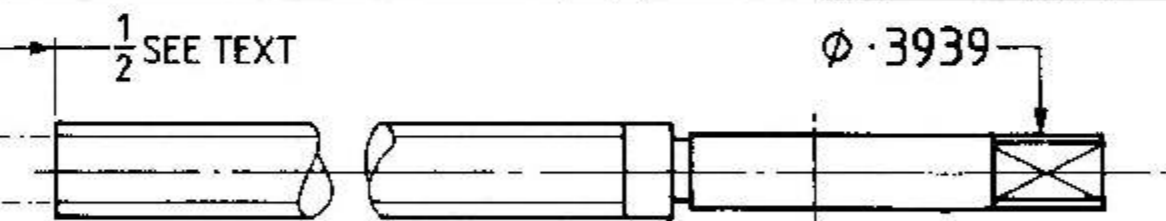
SCALE 1:2  
ITEM 11 MACHINE VICE GAUGE PLATE SCALE 1:2 QTY 1



ITEM 13 HUB MILD STEEL QTY 1



ITEM 16 GIB STRIP GAUGE PLATE QTY 1

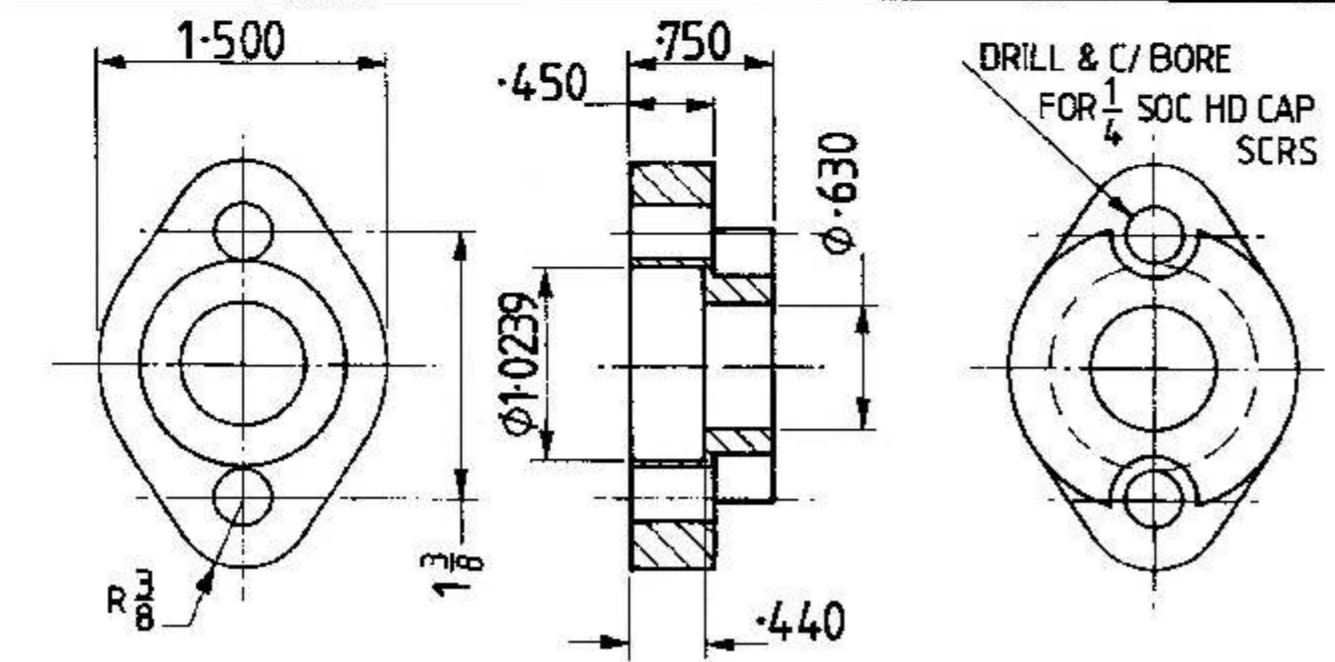


SCALE 10:1  
ITEM 8 ACME SCREW ORIGINAL  
THREAD & TOOL DETAILS

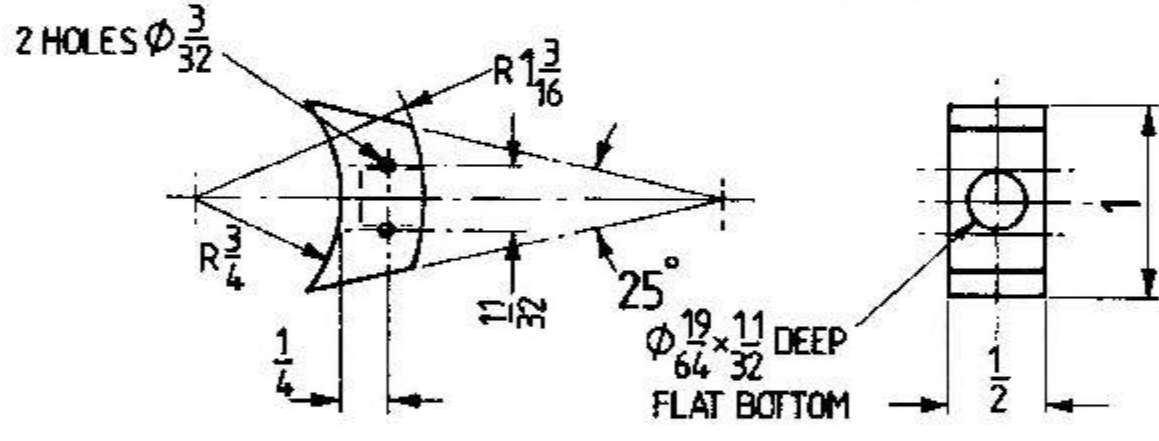
## CROSS VICE TO VERTICAL SLIDE

by E.G. HARTWELL.

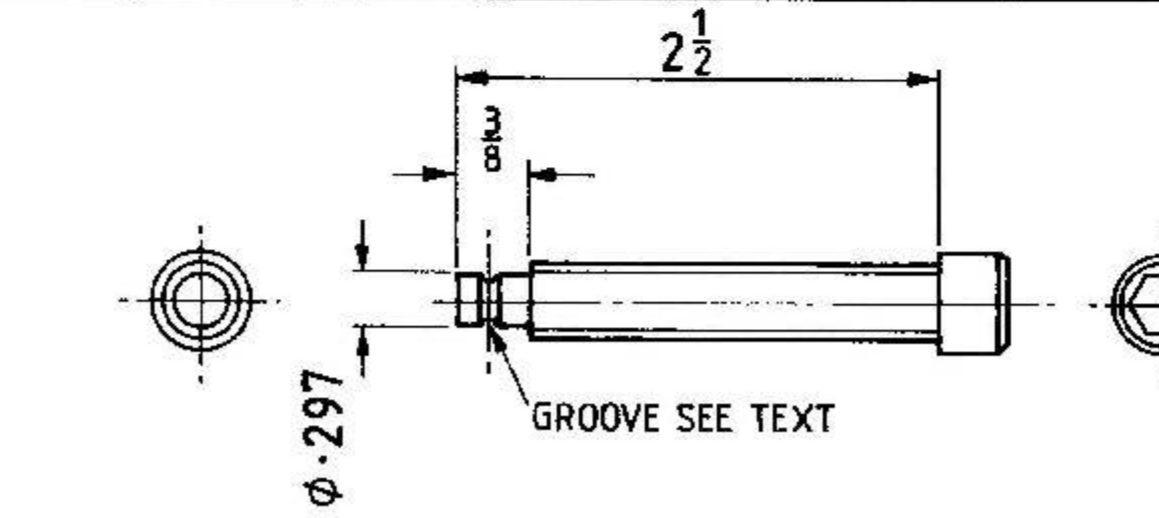
THIRD ANGLE PROJECTION DIMENSIONS IN INCHES  
PRESENTED IN ISSUE 15 OF MODEL ENGINEERS WORKSHOP  
COPYRIGHT ARGUS SPECIALIST PUBLICATIONS, ARGUS HOUSE,  
BOUNDARY WAY, HEMEL HEMPSTEAD, HERTS. HP2 7ST



ITEM 14 BEARING HOUSING MILD STEEL QTY 1



ITEM 17 PRESSURE PAD MILD STEEL QTY 1



ITEM 18 SCREW HT STEEL 3/8 UNC SOC HD CAP SCR QTY 1