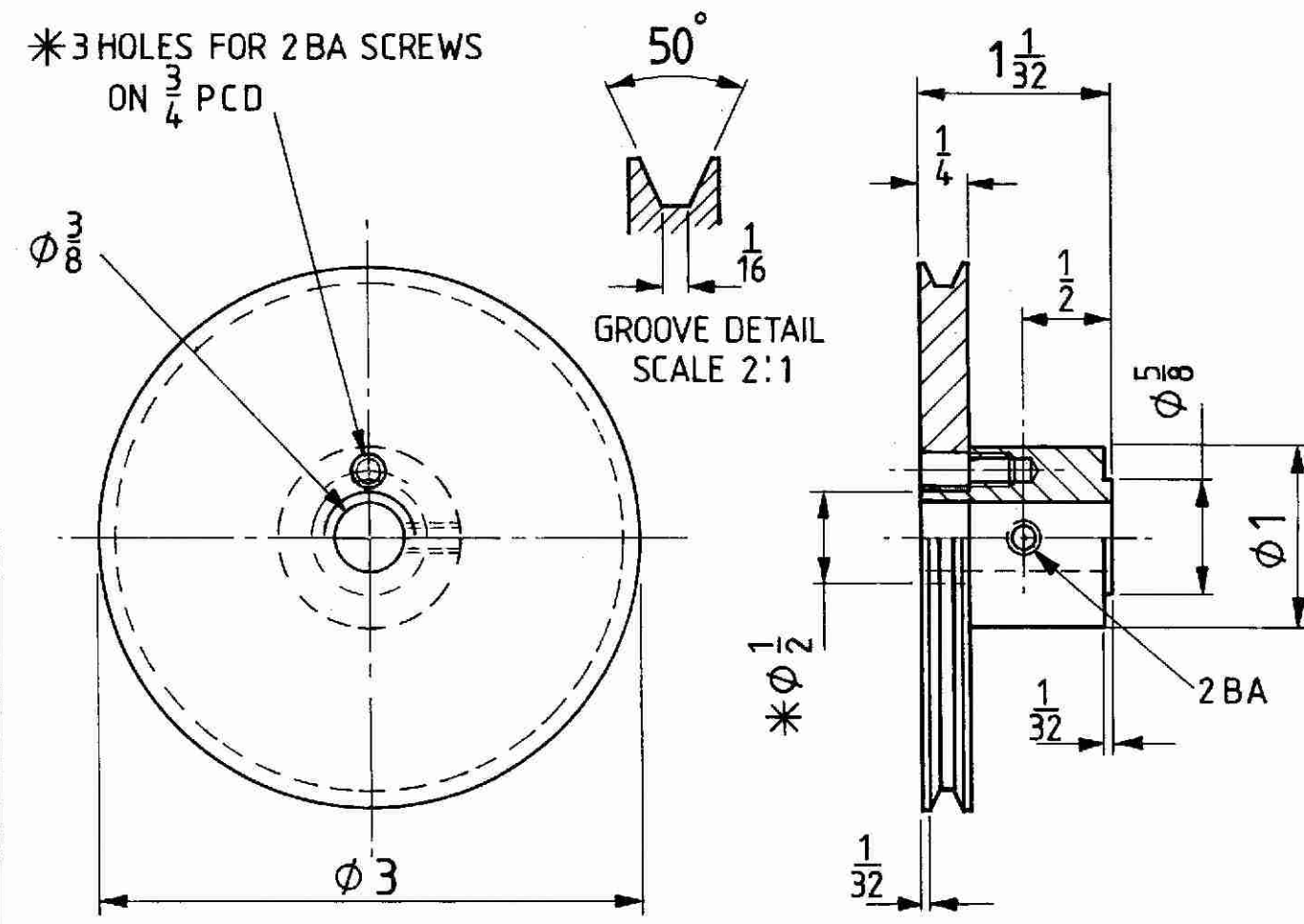
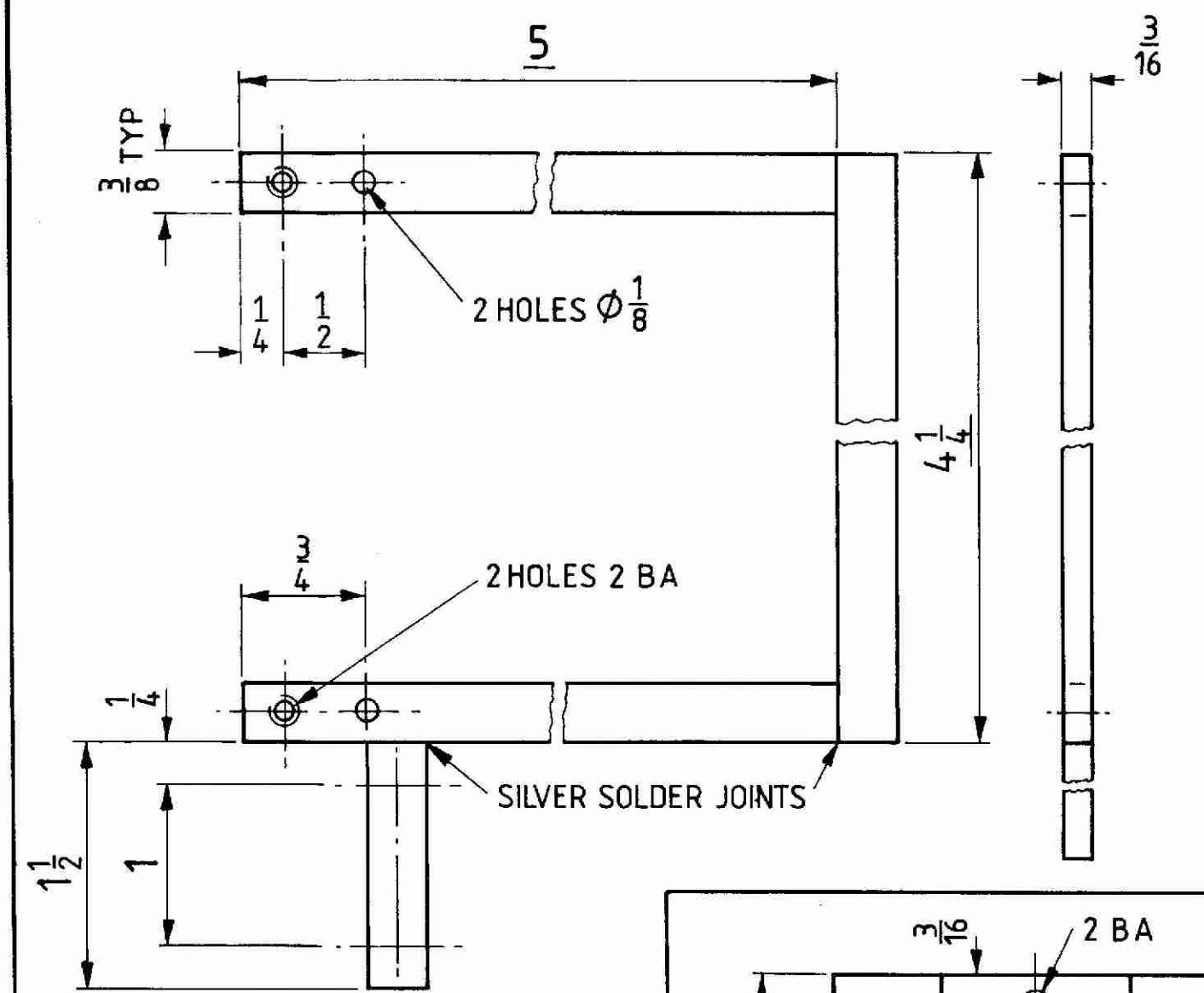


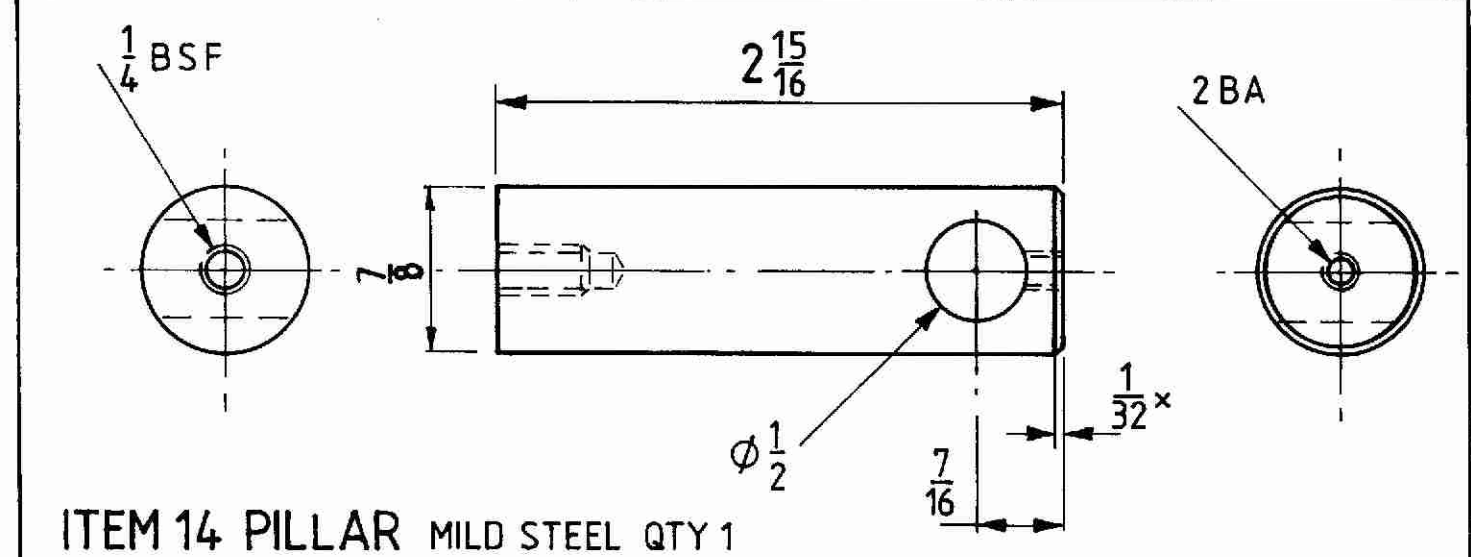
ITEM 6 WORKTABLE MILD STEEL QTY 1 SCALE 1:2



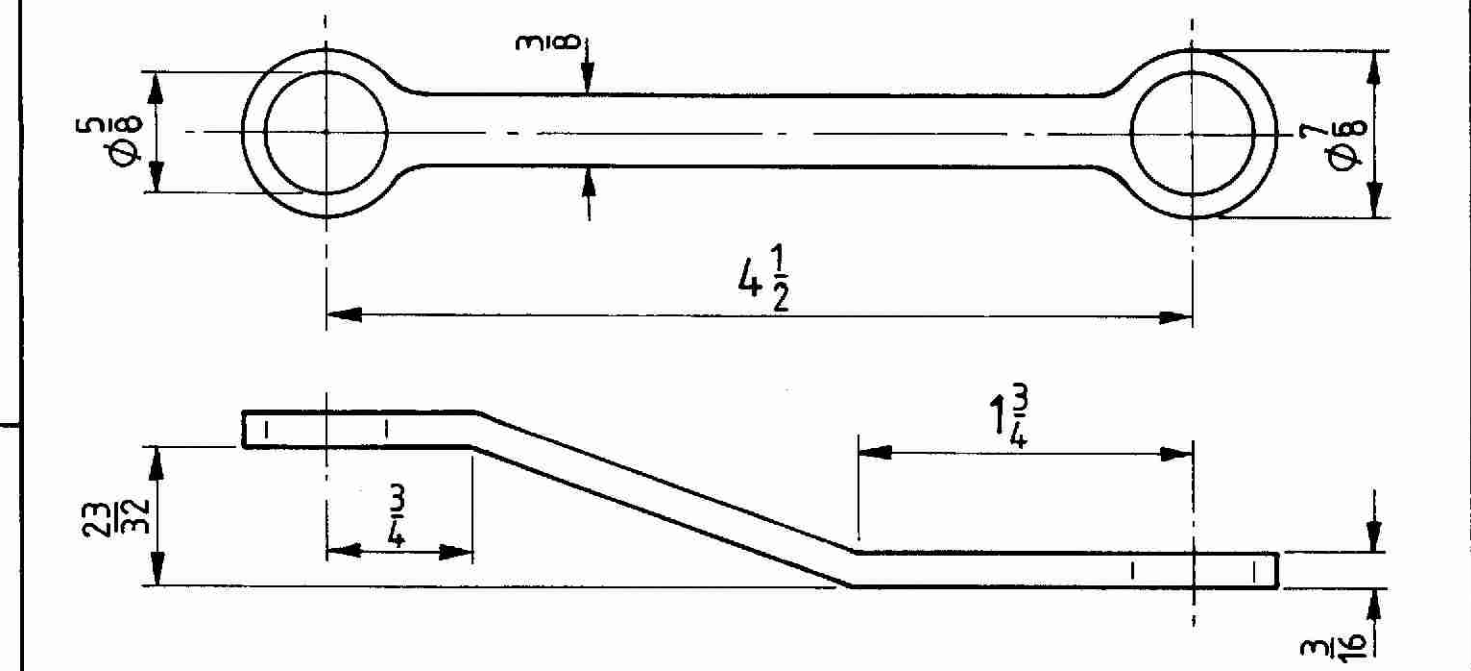
ITEM 9 PULLEY MILD STEEL QTY 1



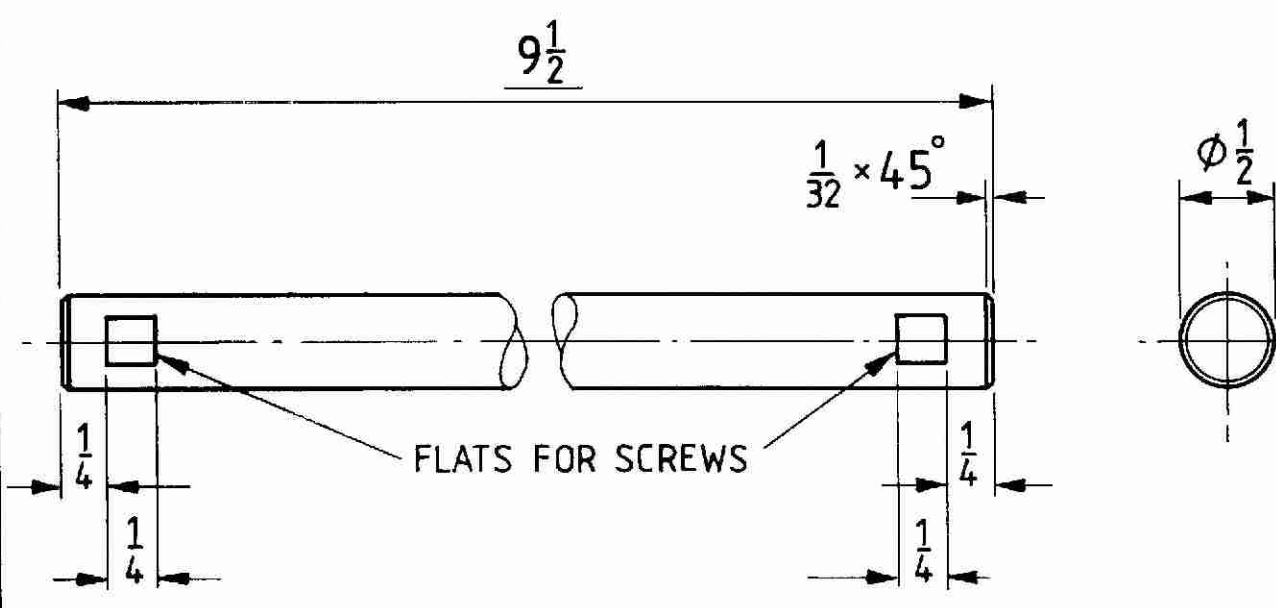
ITEM 8 SPACER MILD STL QTY 1



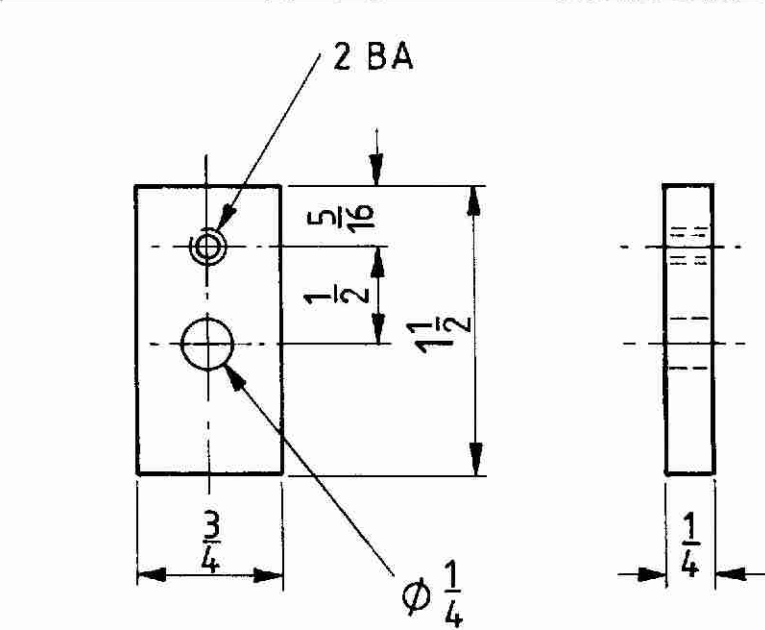
ITEM 14 PILLAR MILD STEEL QTY 1



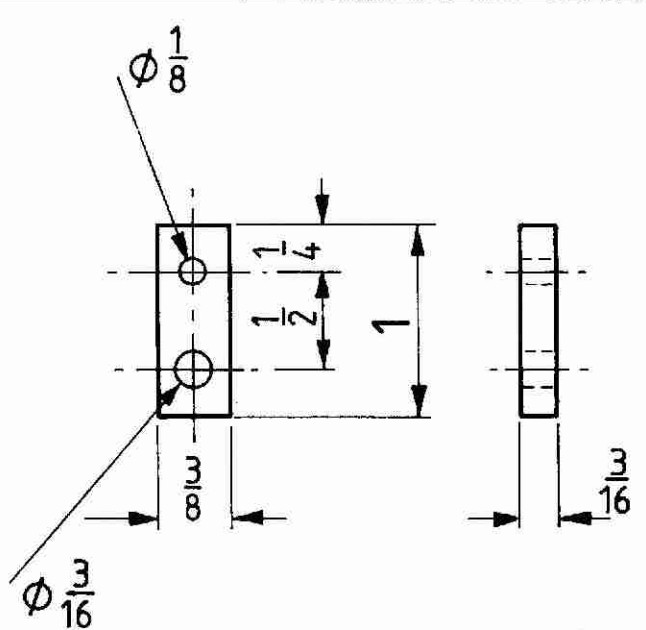
ITEM 15 CONNECTING ROD MILD STEEL QTY 1



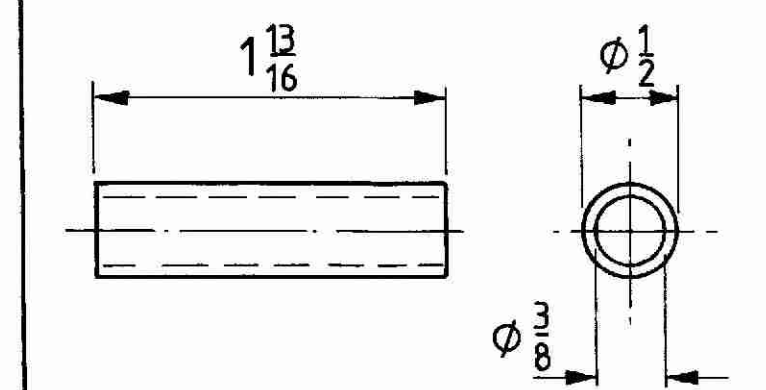
ITEM 17 GUIDE PRECISION GROUND MILD STEEL QTY 2



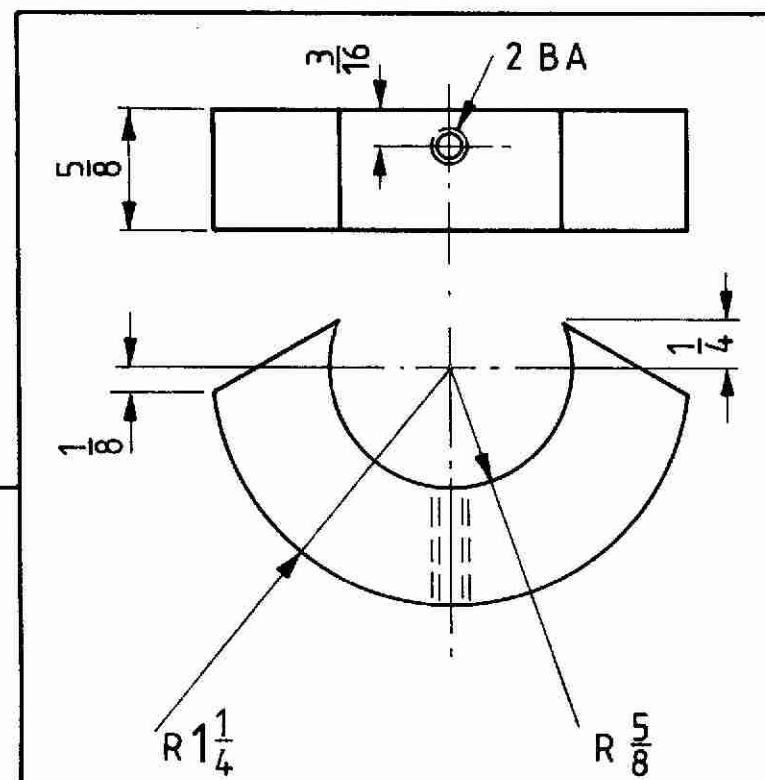
ITEM 10 CLAMP MILD STEEL QTY 1



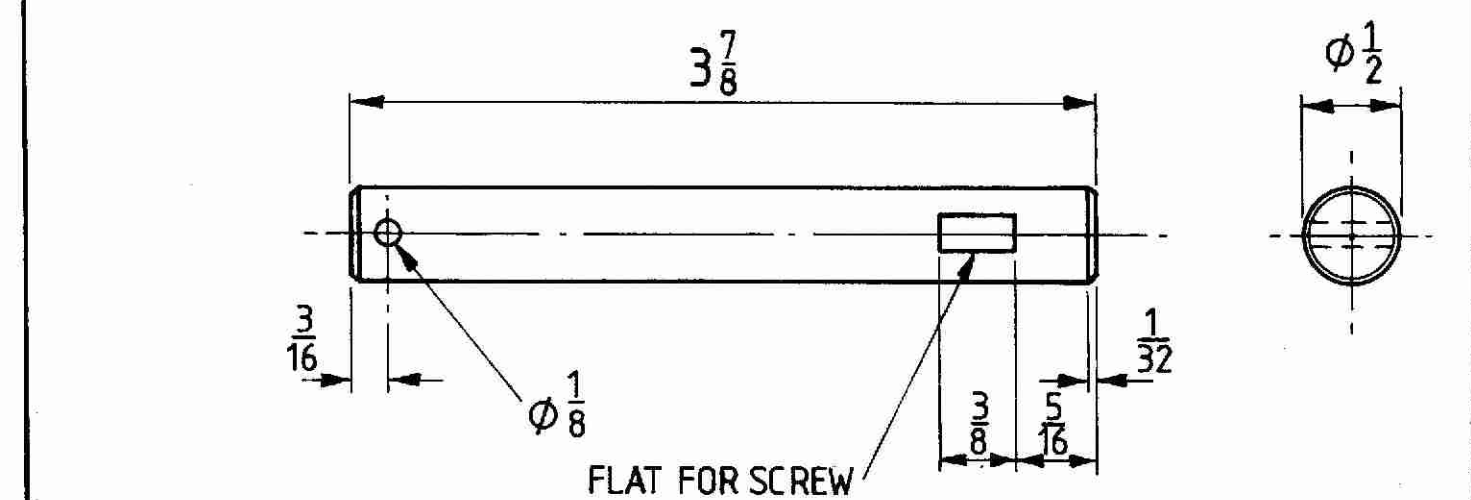
ITEM 12 CLAMP MILD STL QTY 2



ITEM 11 FRAME MILD STEEL QTY 1



ITEM 16 BALANCE WEIGHT MILD STEEL QTY 1



ITEM 13 GUIDE BRASS QTY 1

FRET SAW/FILING MACHINE
DESIGNED BY G. GRAY