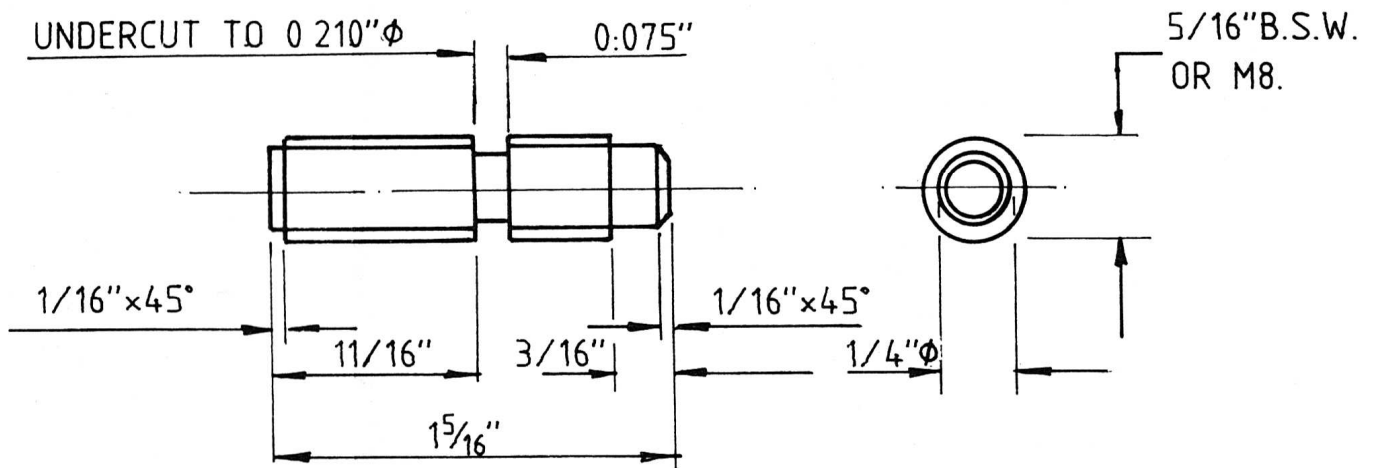


④ JAW 4 off.
 MILD STEEL - CASE HARDEN.



⑥ JAW SCREW 4 off. (SOCKET SCREW)

Fig. 5