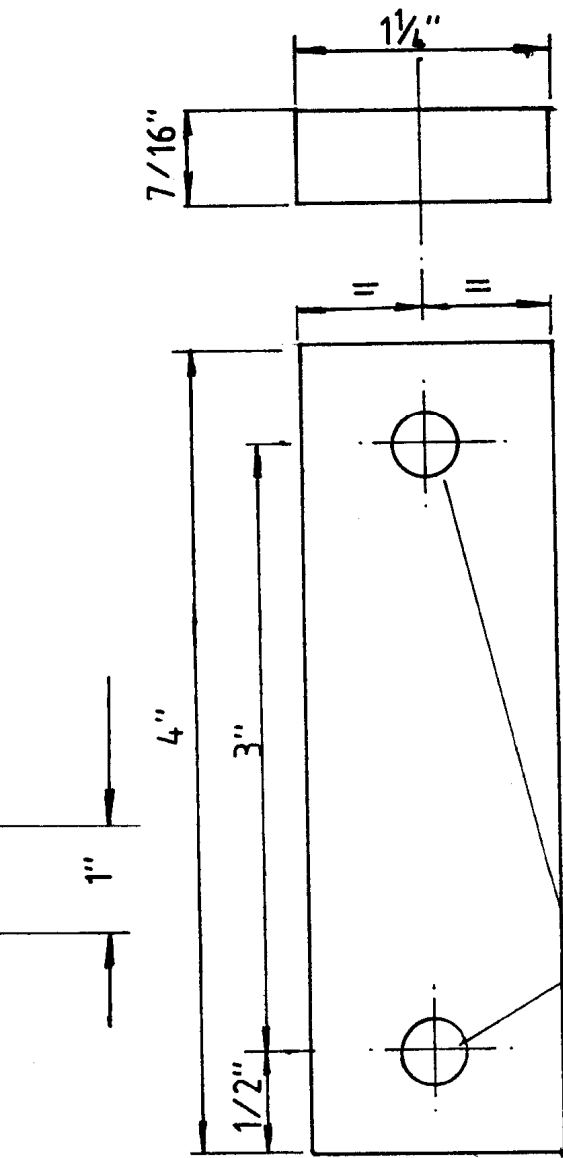
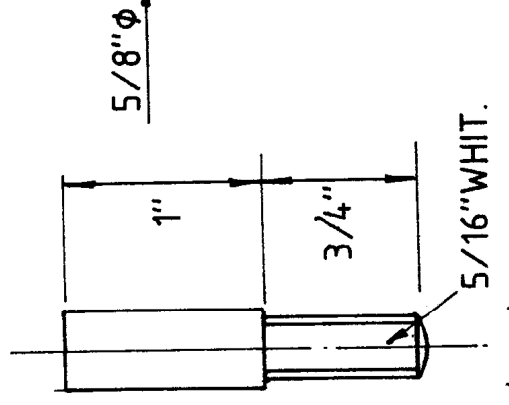
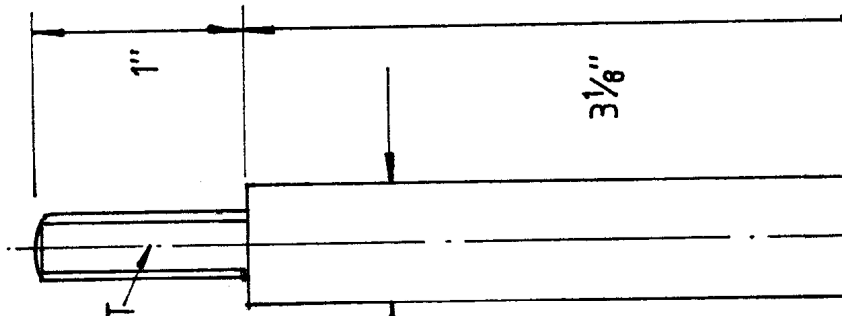
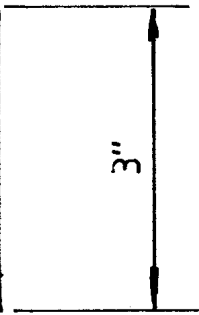
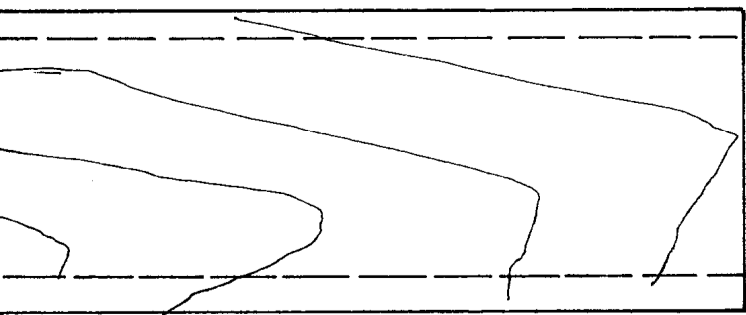
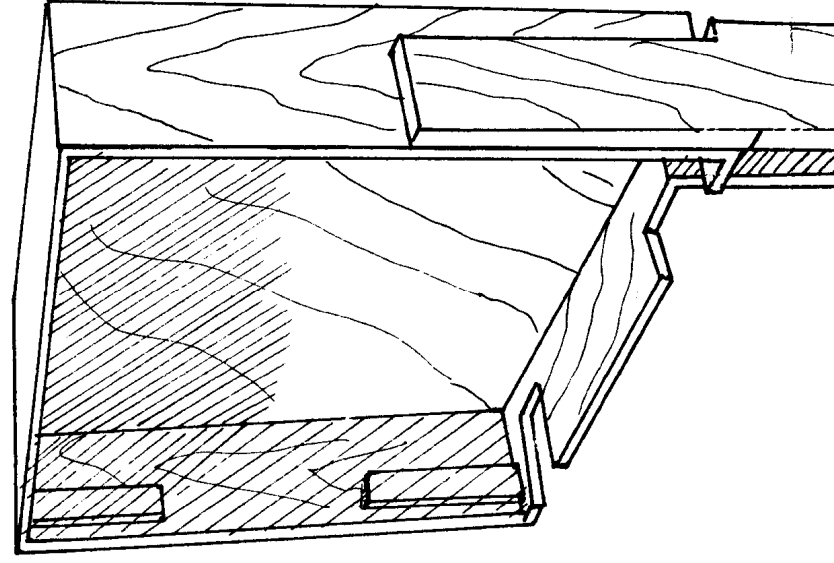


**BANDSAW GUARDS-HA**



2 HOLES 5/16" DIA.  
BELT TENSION ARM (2)



(DIA. TO SUIT  
BALL BEARING)