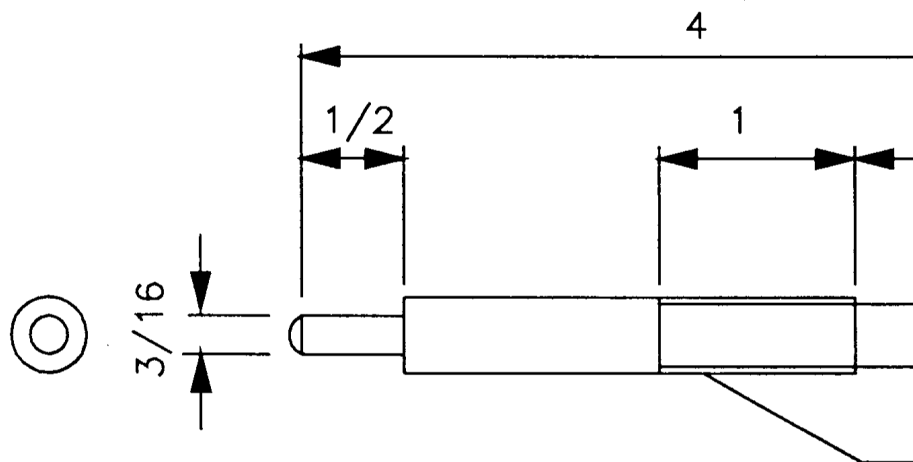
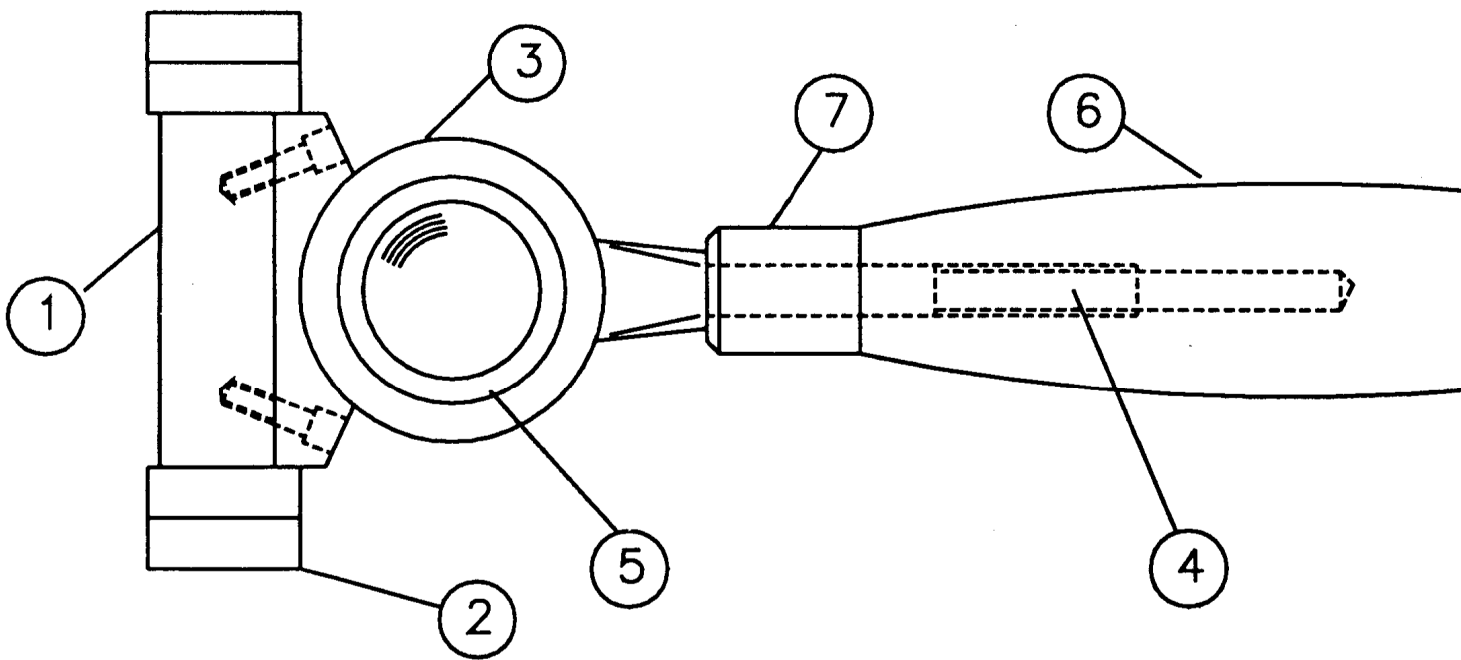
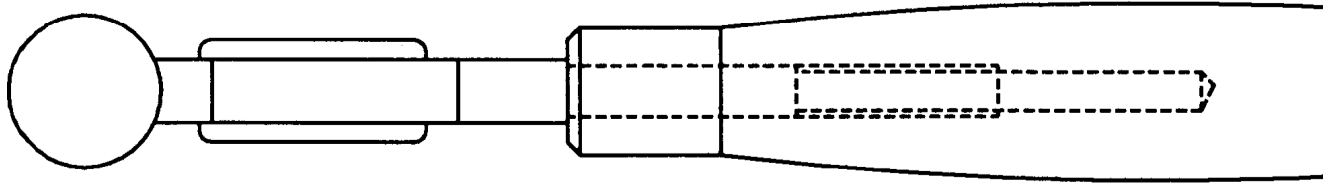


GENERAL ASSEMBLY



LD STEEL

4 SPINDLE

MATERIAL. BRIGHT MILD STEEL.