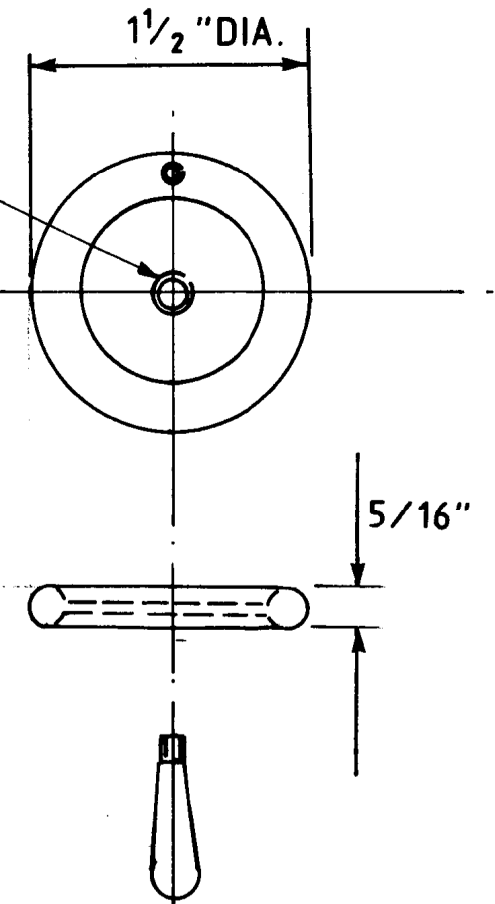
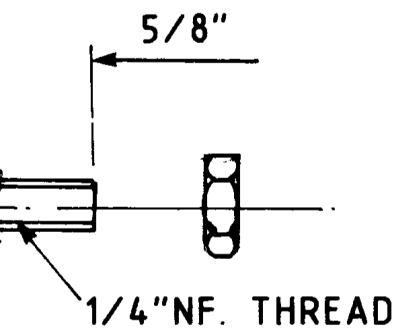


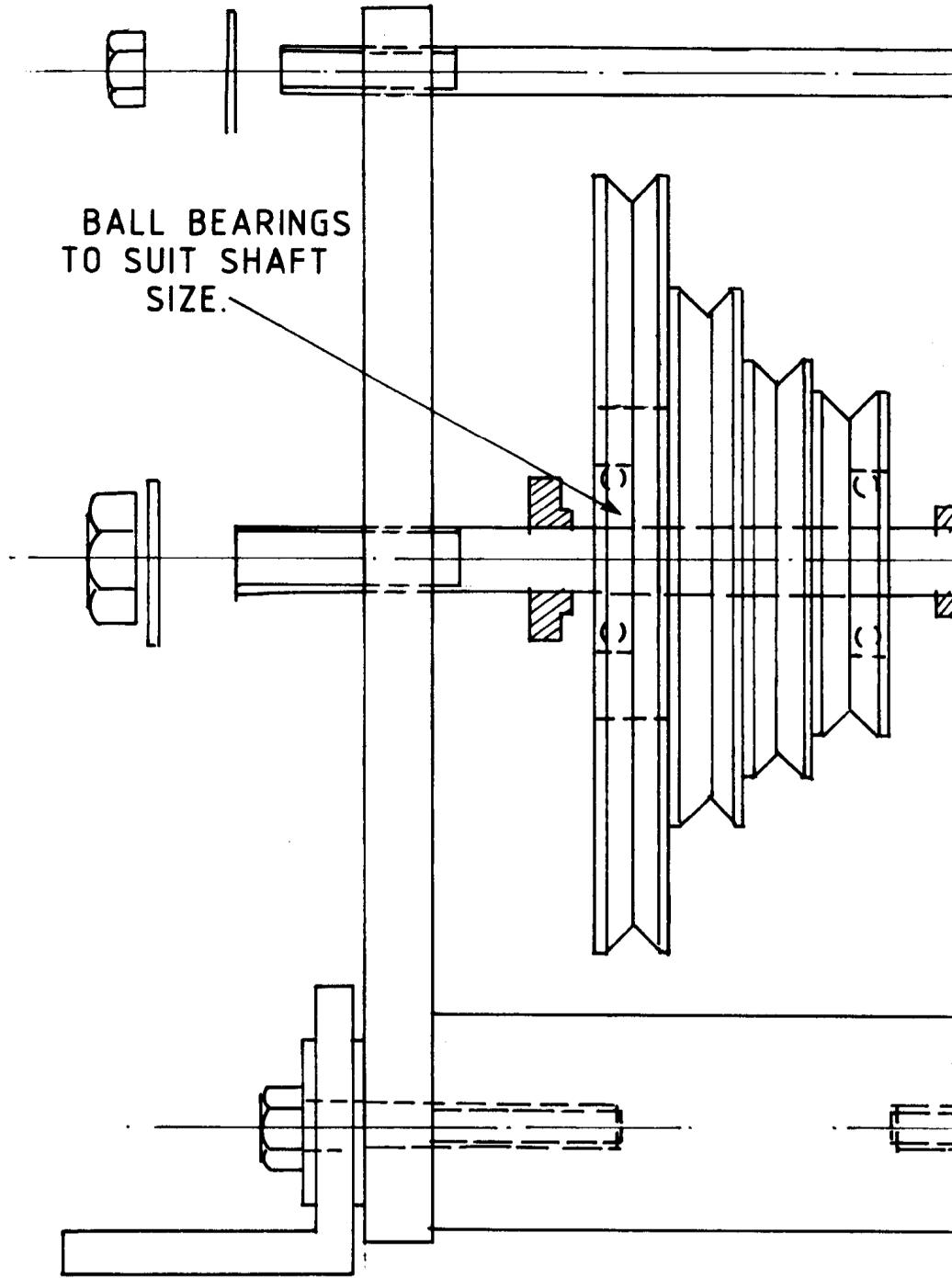
EL HEMPSTEAD HERTS.,HP2 7ST.



DETAIL OF HANDWHEEL



THREAD.



MOUNTING BRACKET - 2 off TO SUIT.

30 DIA. BAR TAP CENTRALLY E 1/4" x 1" DE