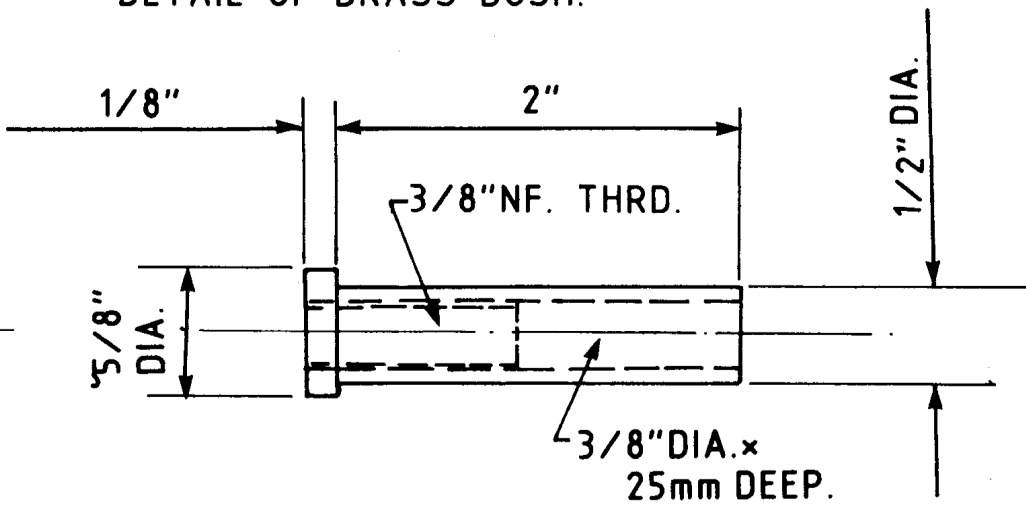
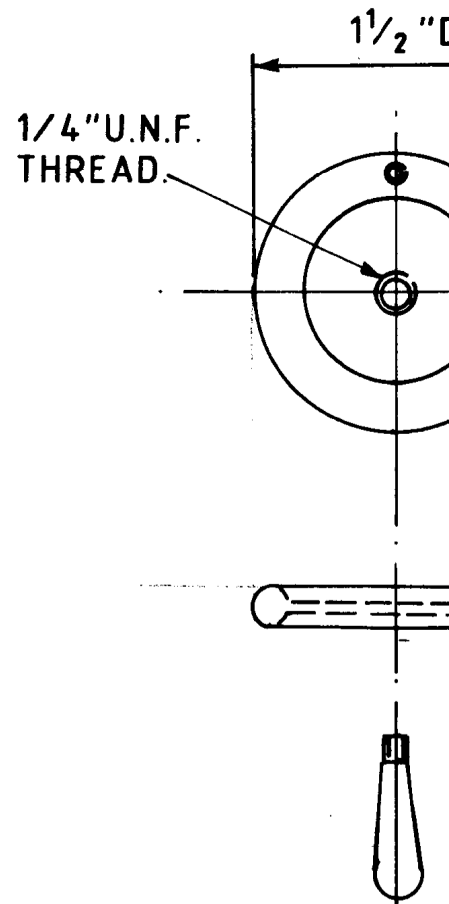


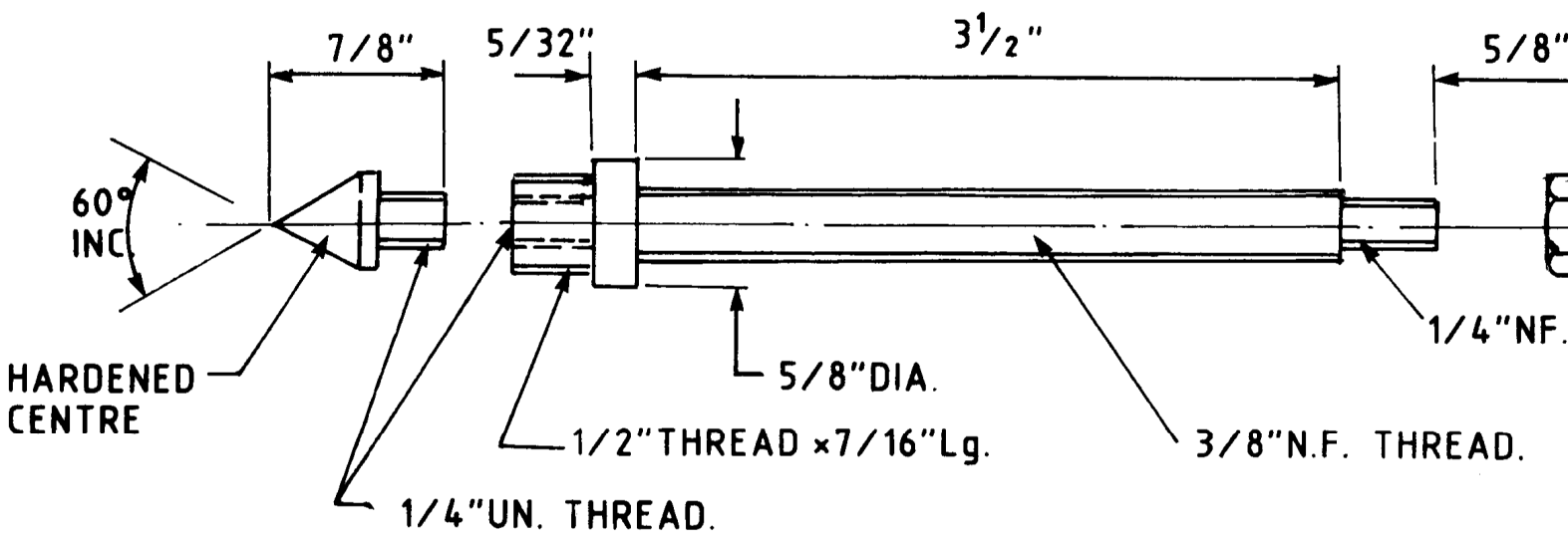
DETAIL OF BRASS BUSH.



MILL & TAP 5/16" N.F.



DETAIL OF HOLE



SPINDLE FREE CUTTING STEEL.