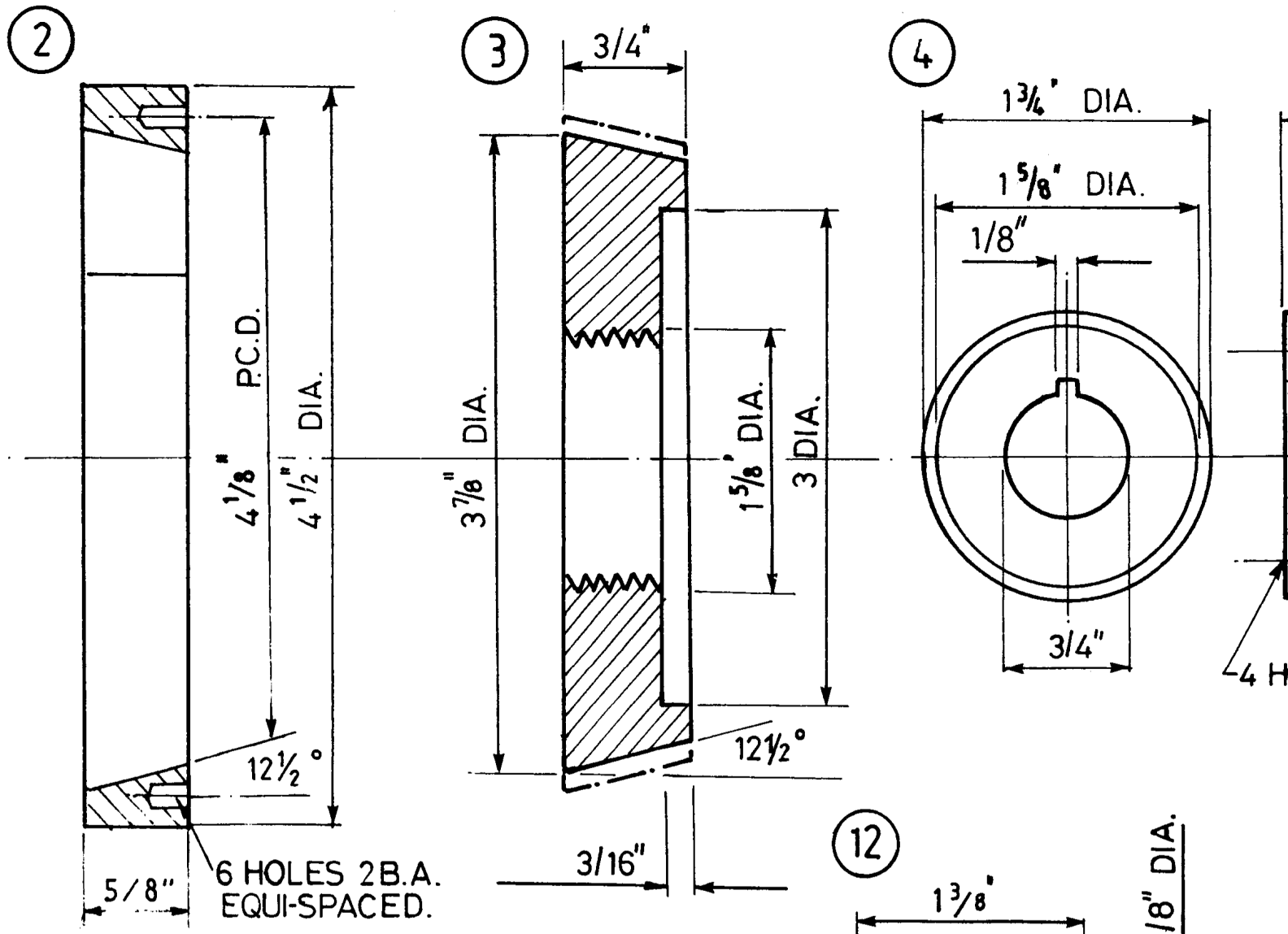


FIXED HALF

SLIDING HALF.



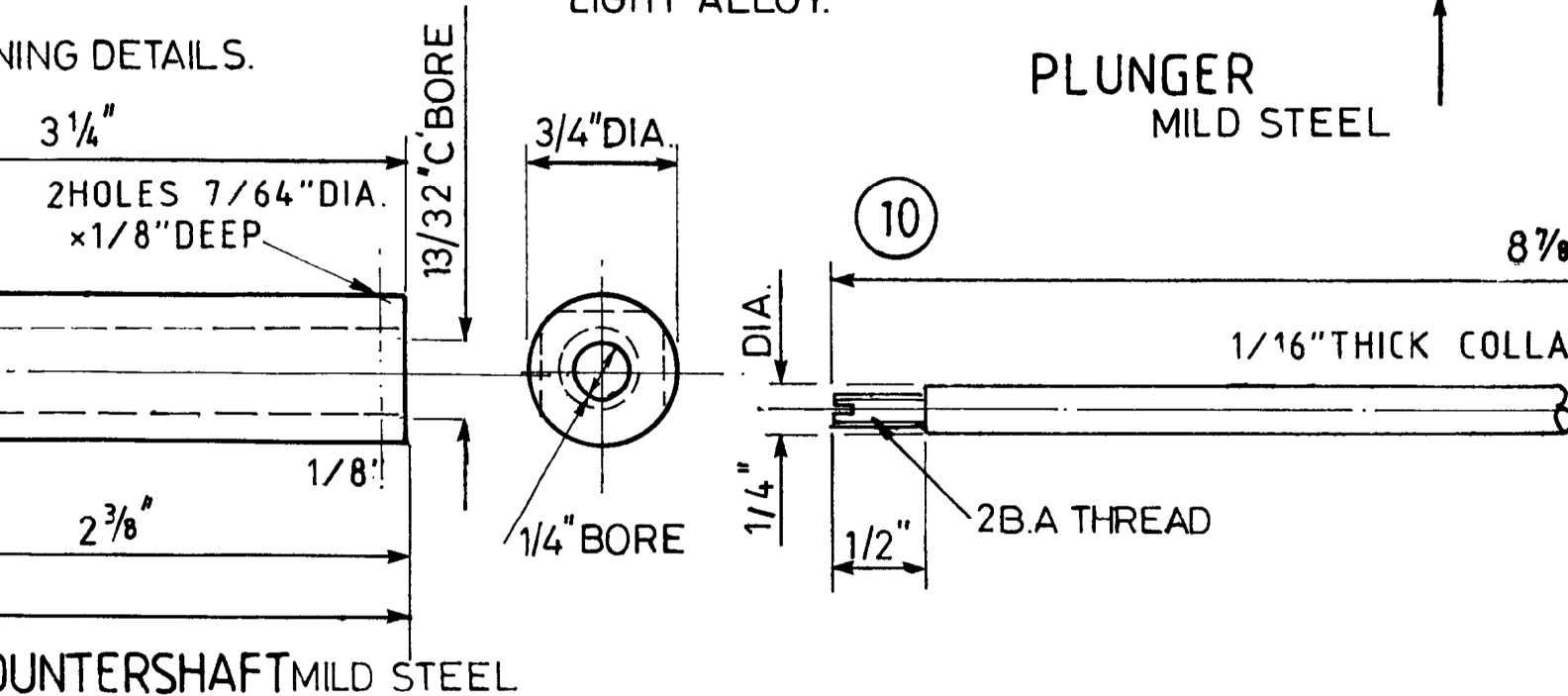
CLUTCH

LIGHT ALLOY.

PLUNGER

MILD STEEL

FINISHING DETAILS.



COUNTERSHAFT MILD STEEL