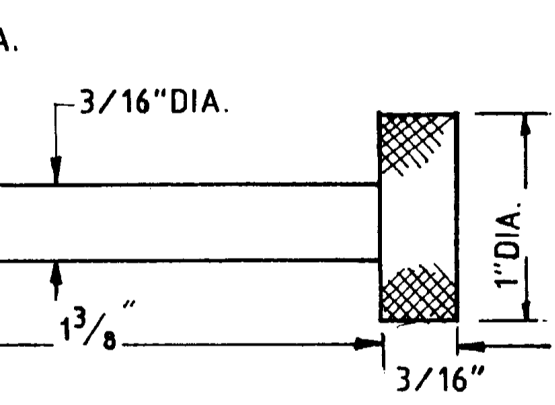
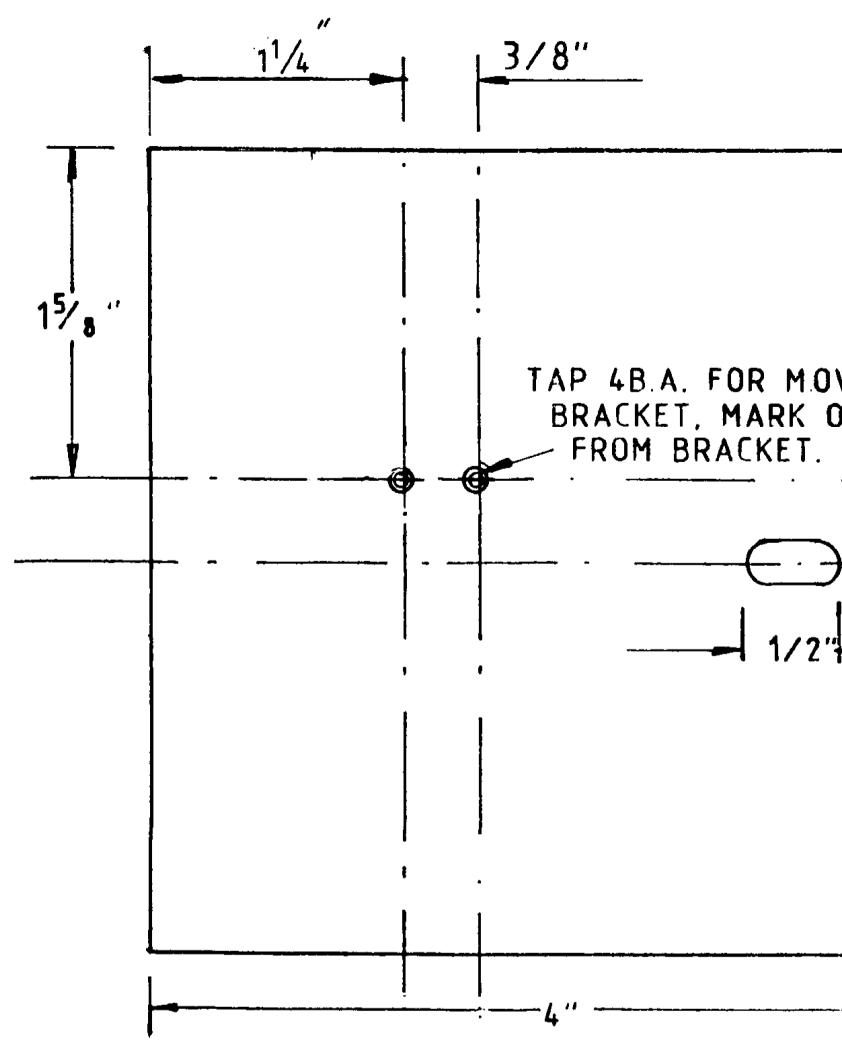


MOVING BRACKET
 1off
 FROM BLACK OR BRIGHT
 MILD STEEL ANGLE 1"x1"x1/8"
 MAKE TO FIT FIXED BRACKET
 & SCREW TO TABLE.



SCREW
 1off. 2:1 SCALE
 MATL.=MILD STEEL
 FIT WASHER AT 'A'.

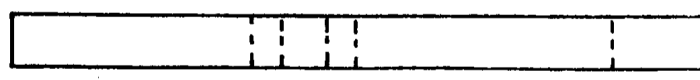


TABLE 1off MILD STEEL.
 FILE SCREWS WHICH SECURE
 TO THE MOVING BRACKET