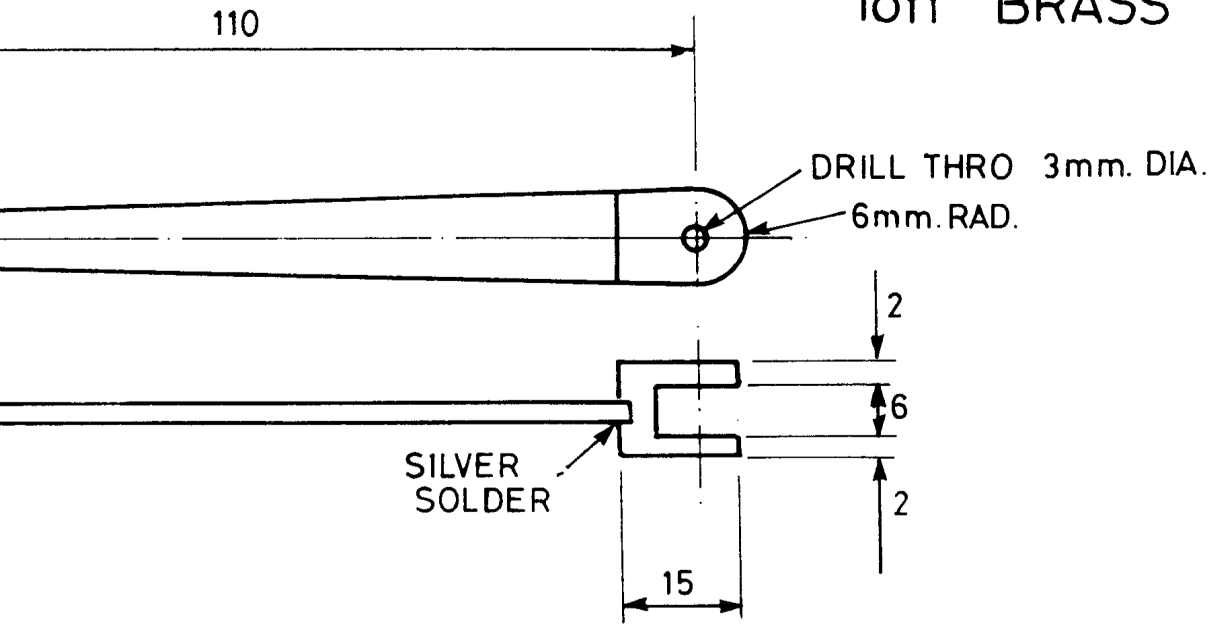
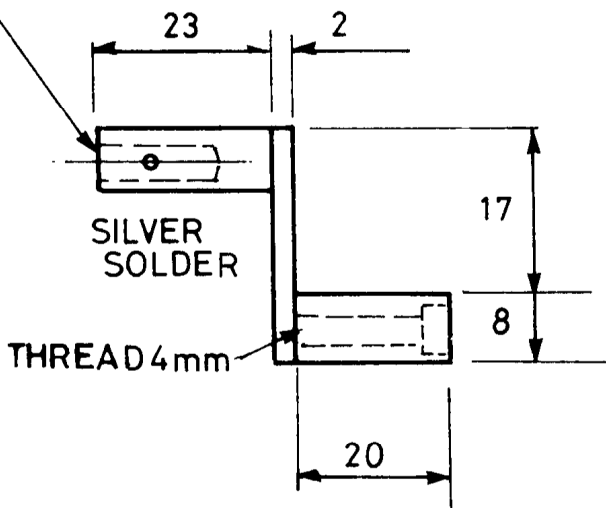


# LIFTING ARM

1 off BRASS



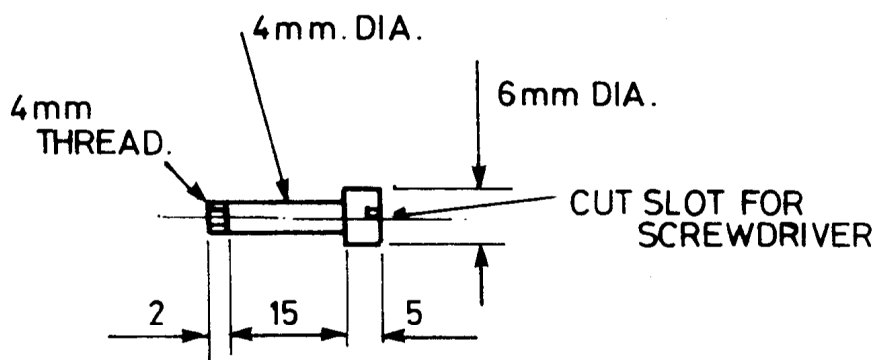
DRILL TO ACCEPT SCREW ROD



# HANDLE

1 off  
BRASS

FABRICATE FROM ROD  
& STRIP.



# HANDLE SCREW

1 off  
BRASS