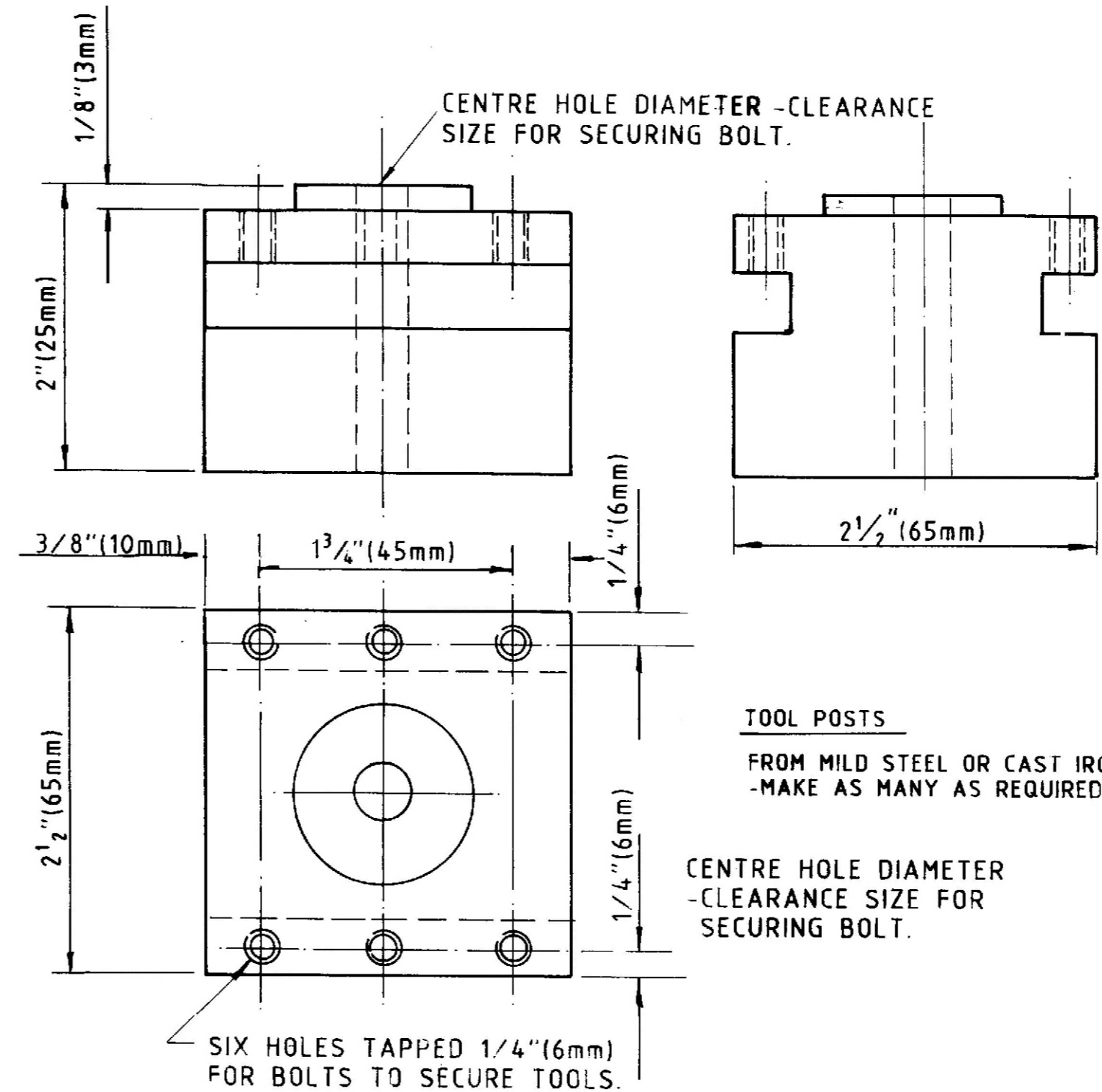
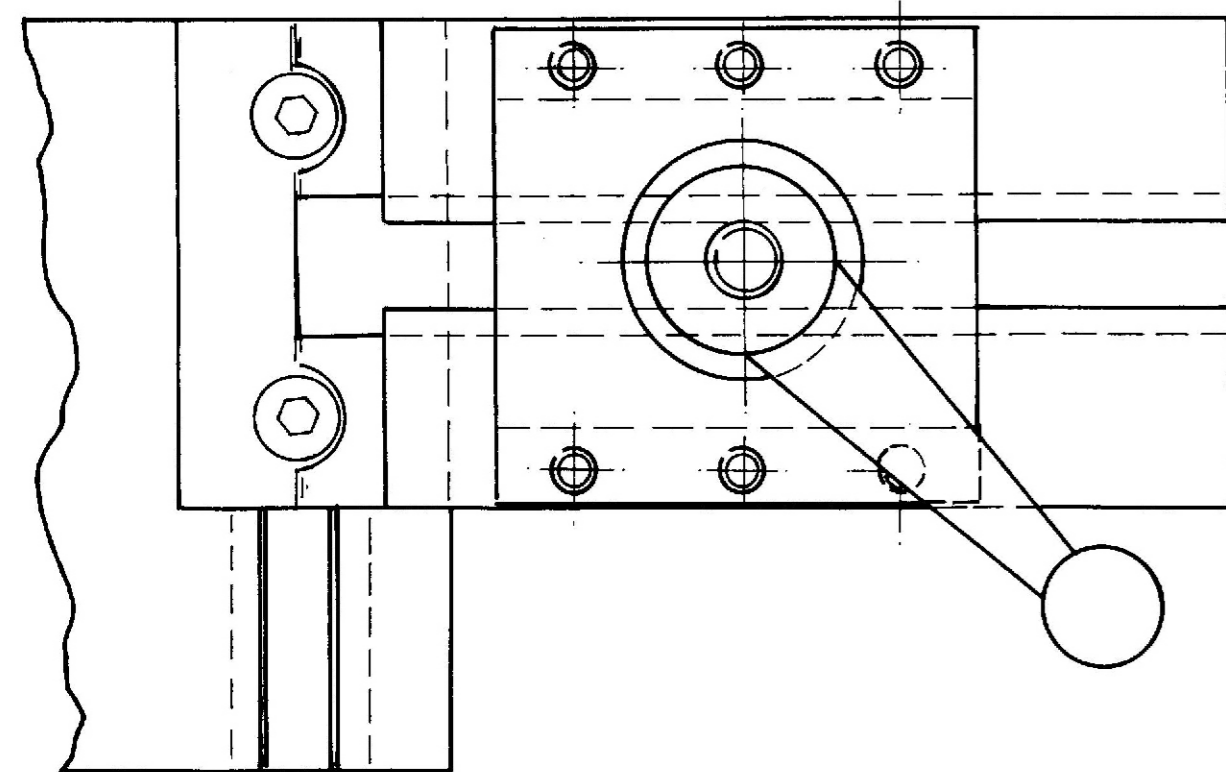


SWING CLEAR REAR TOOL POST

DESIGNED FOR 3 1/2" CENTRE HEIGHT LATHES
OR METRIC EQUIVALENT

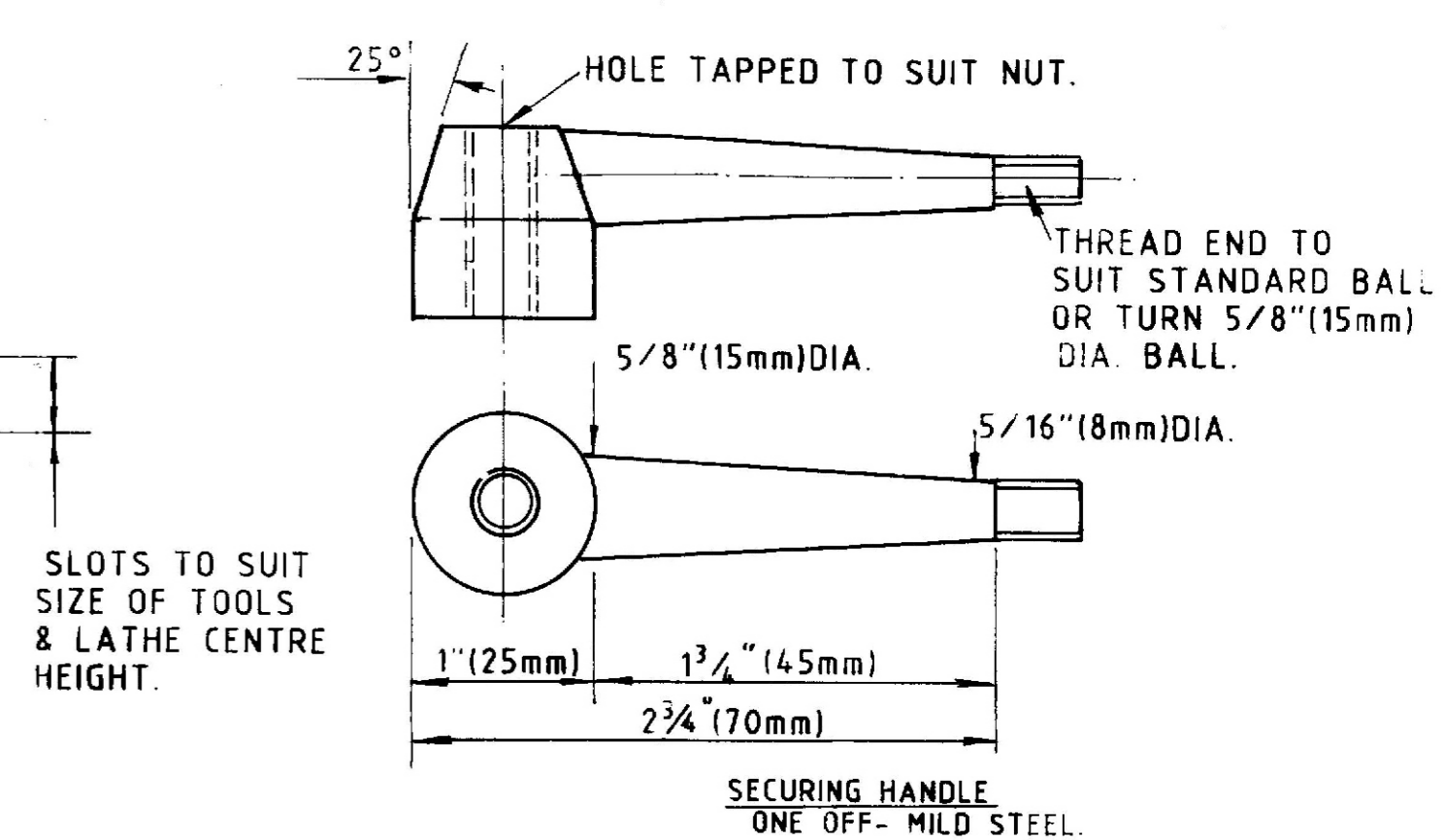
DRAWN FIRST ANGLE PROJECTION. 



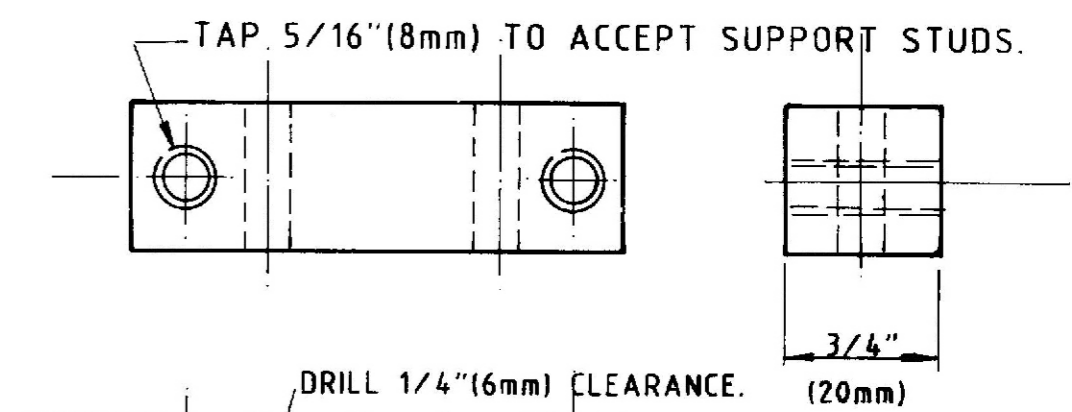
TOOL POSTS
FROM MILD STEEL OR CAST IRON.
- MAKE AS MANY AS REQUIRED.

CENTRE HOLE DIAMETER
- CLEARANCE SIZE FOR
SECURING BOLT.

SIX HOLES TAPPED 1/4" (6mm)
FOR BOLTS TO SECURE TOOLS.



SECURING HANDLE
ONE OFF - MILD STEEL.



SUPPORT BAR
ONE OFF MILD STEEL.

