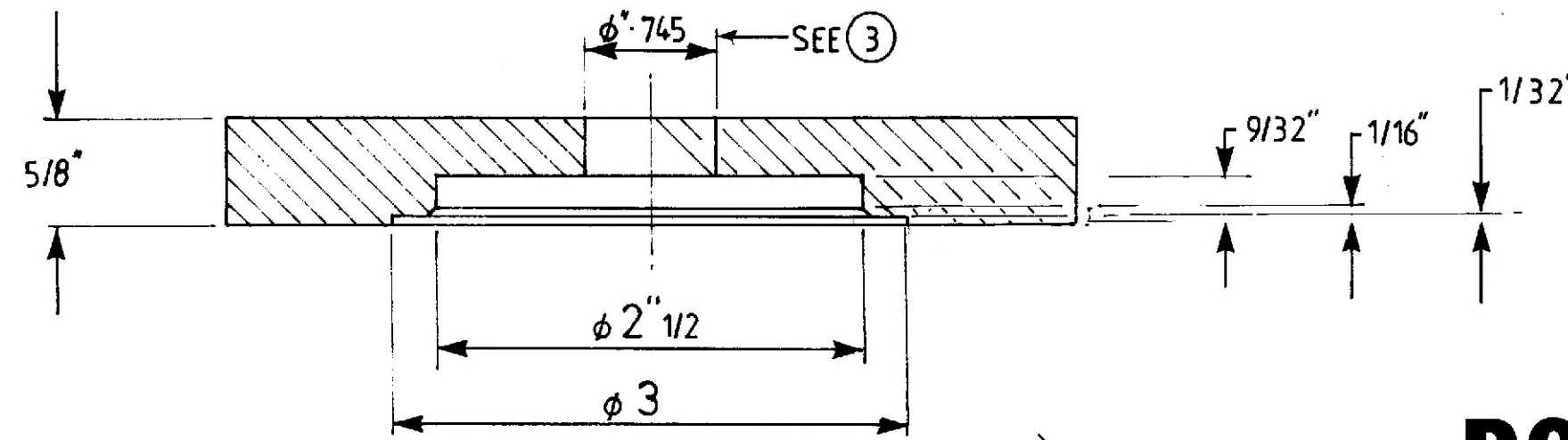
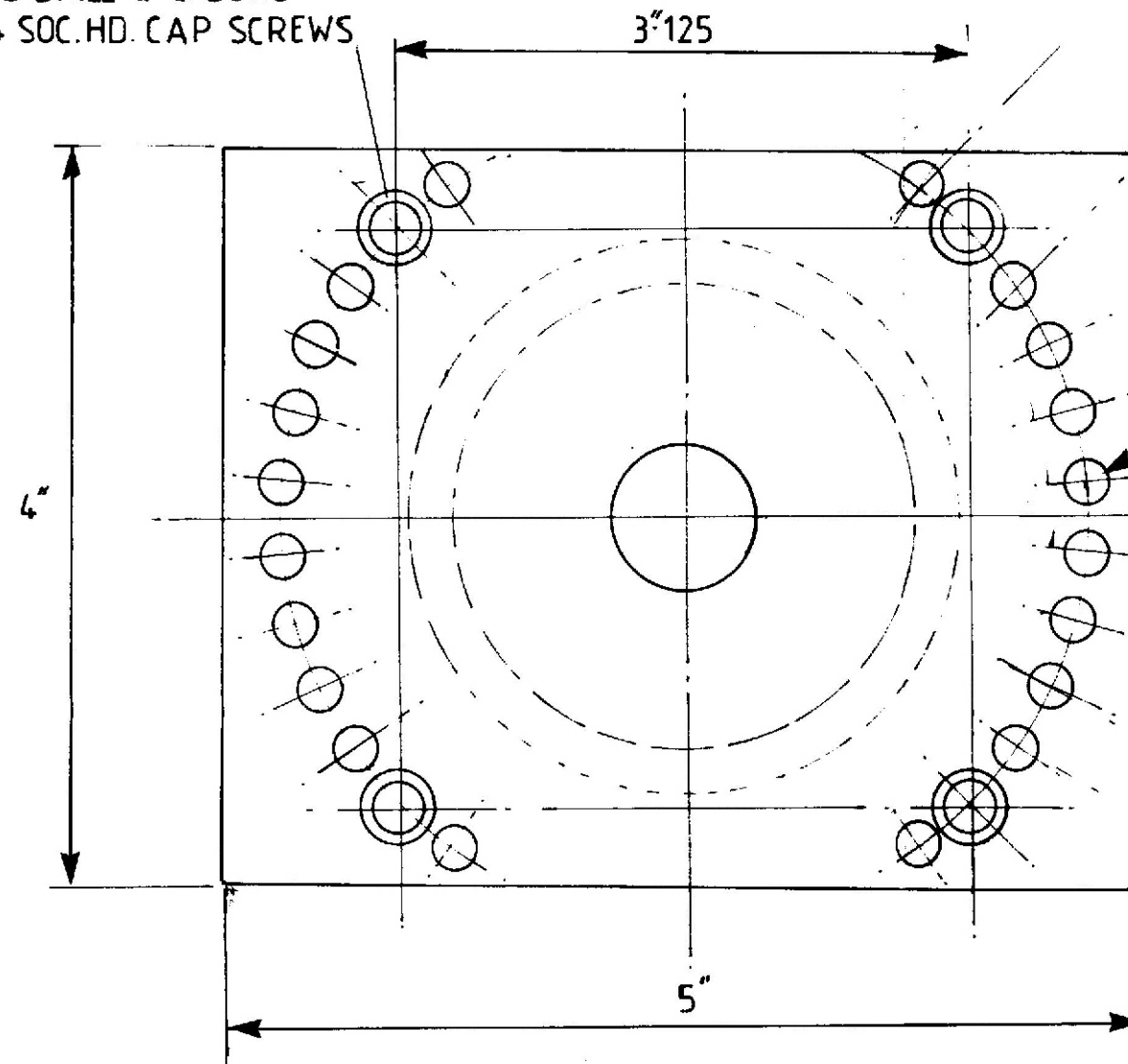


ASSEMBLY.



4 HOLES DRILL & C/BORE FOR 1/4 SOC. HD. CAP SCREWS

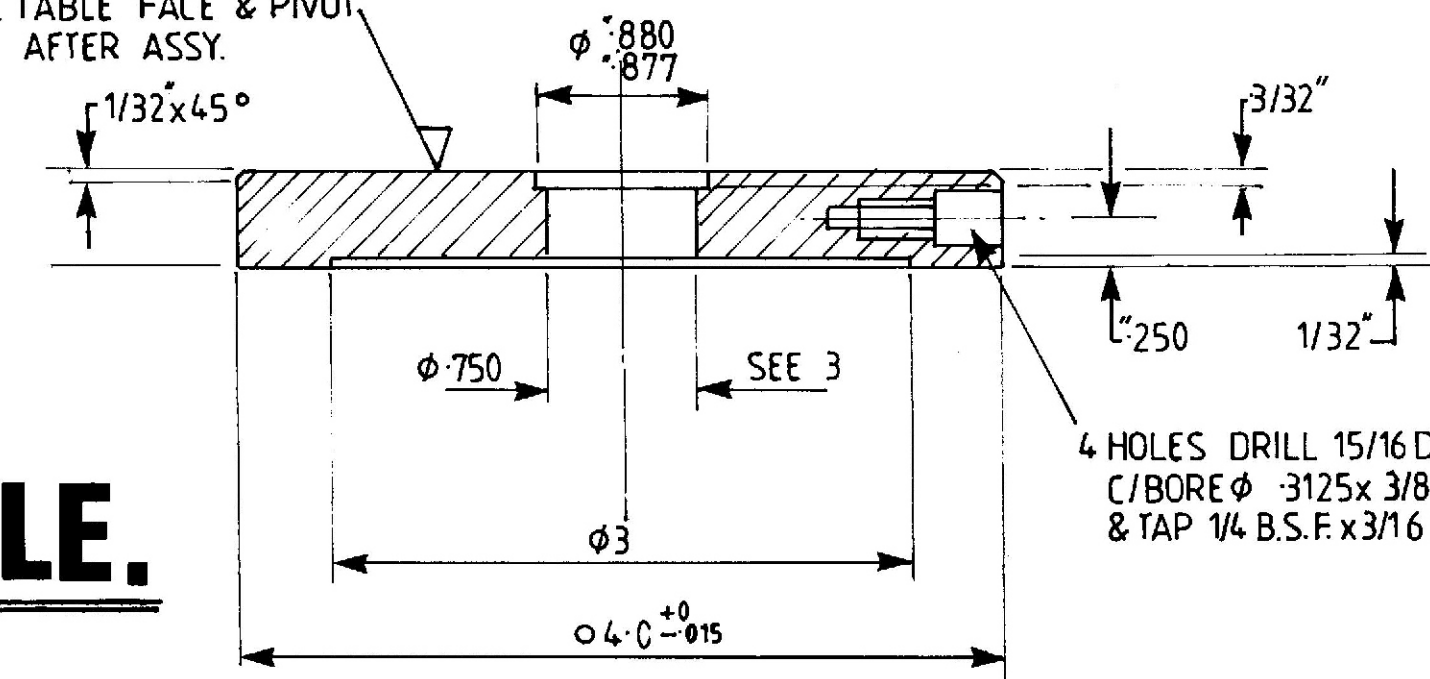


ITEM 1 BASE MILD STEEL QTY 1.

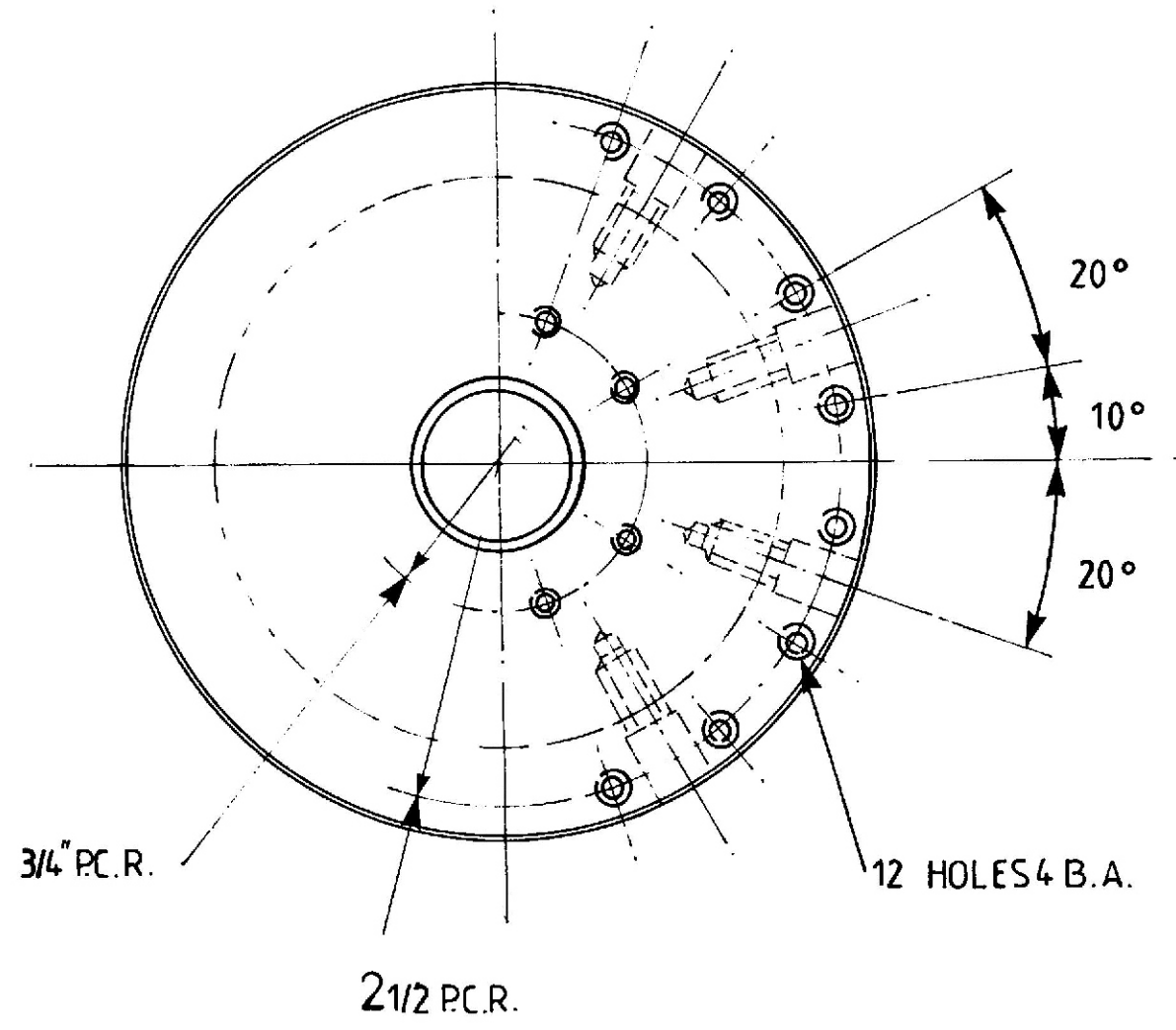
ROTARY TABLE.

DESIGNED BY T. DAISH.

NOTE: M/C TABLE FACE & PIVOT AFTER ASSY.



4 HOLES DRILL 15/16 DEEP C/BORE ϕ .3125 x 3/8 DEEP & TAP 1/4 B.S.F. x 3/16 DEEP



ITEM 2 TURNTABLE MILD STEEL QTY 1.