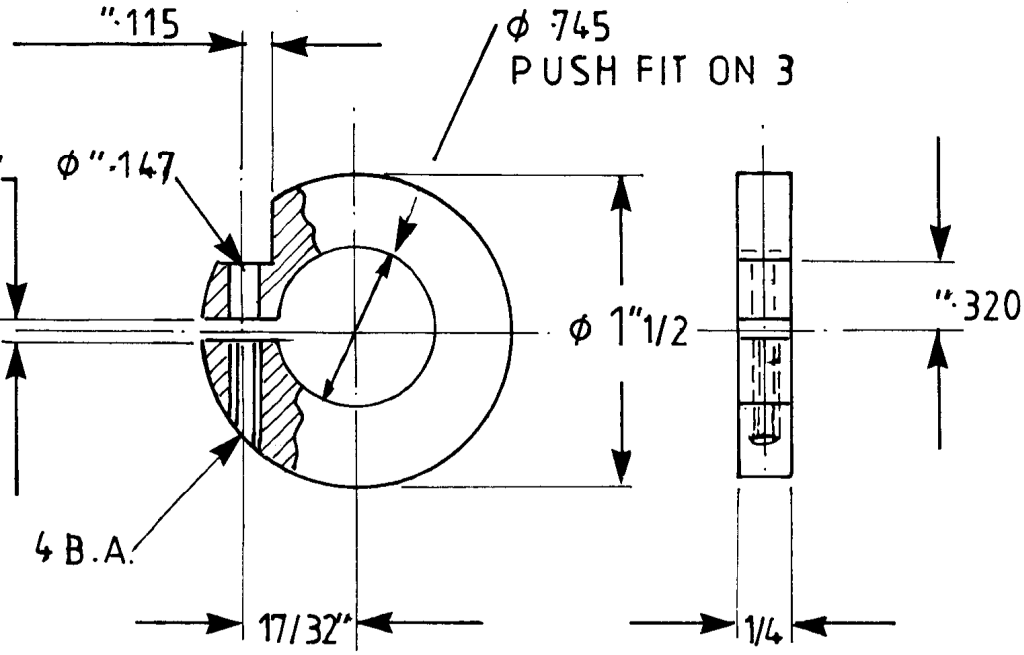
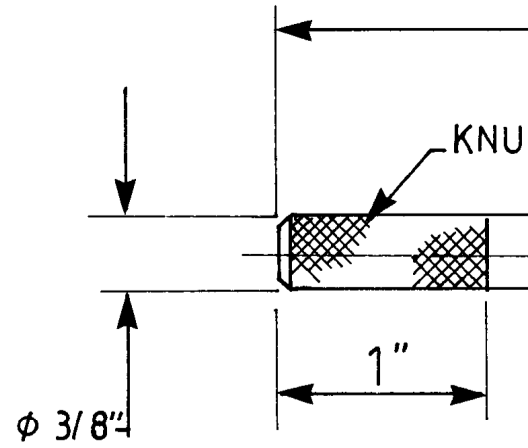


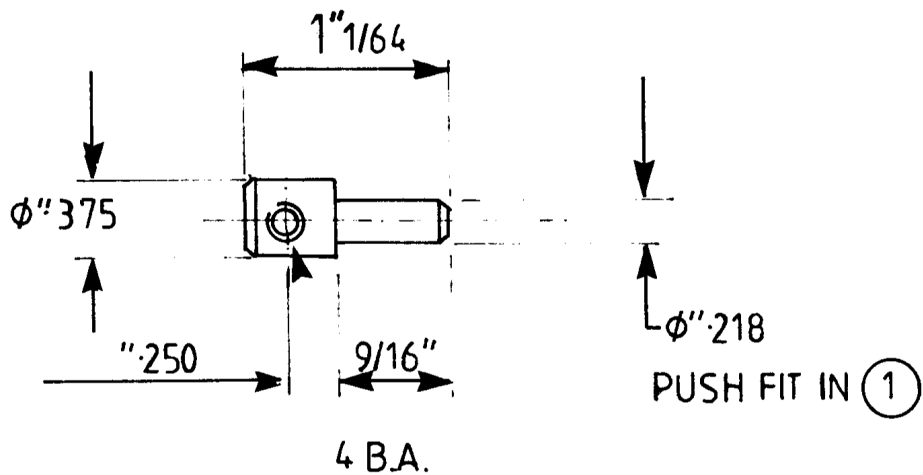
ITEM ④ COLLAR BRASS QTY.1



ITEMS ⑤



$\phi \frac{3}{8}$ " x 32 T.P.I.
SCREWDRIVER
SLOT



MILD STEEL QTY.1.

ITEM 9 STOP PEG MILD STEEL QTY.2.