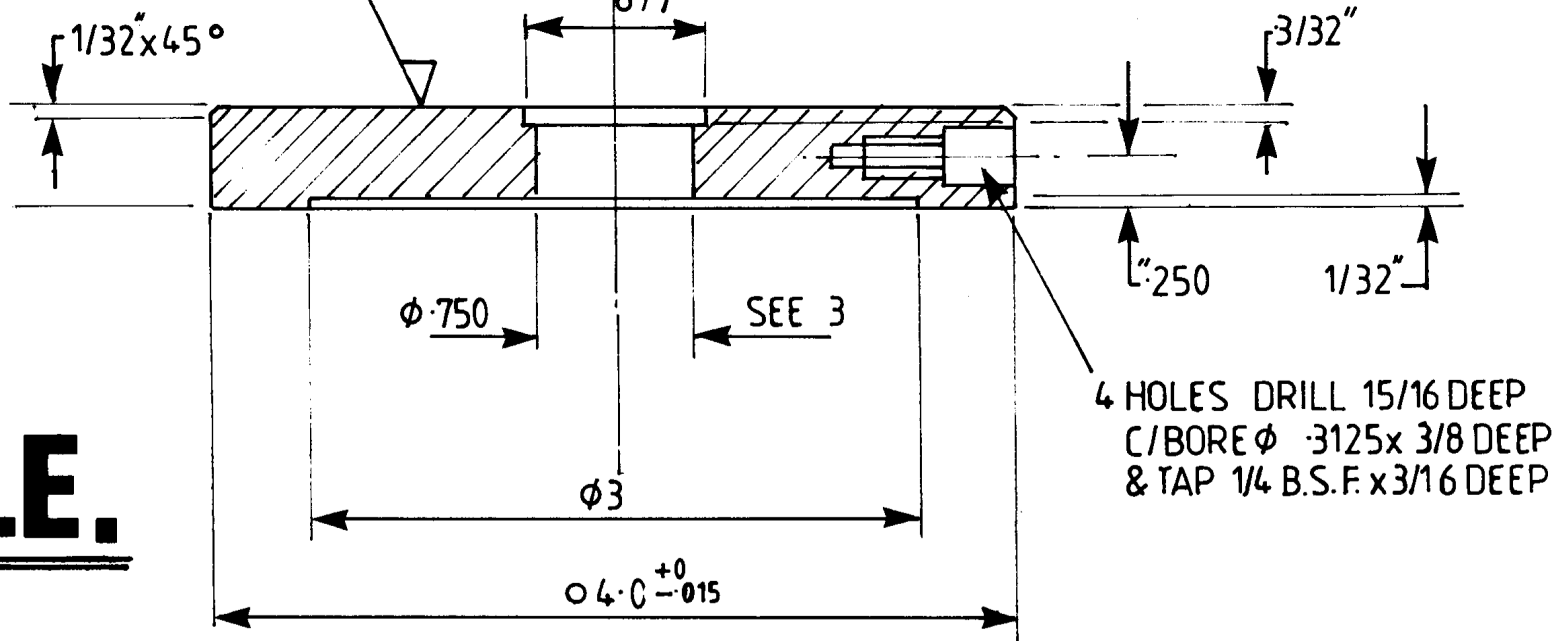
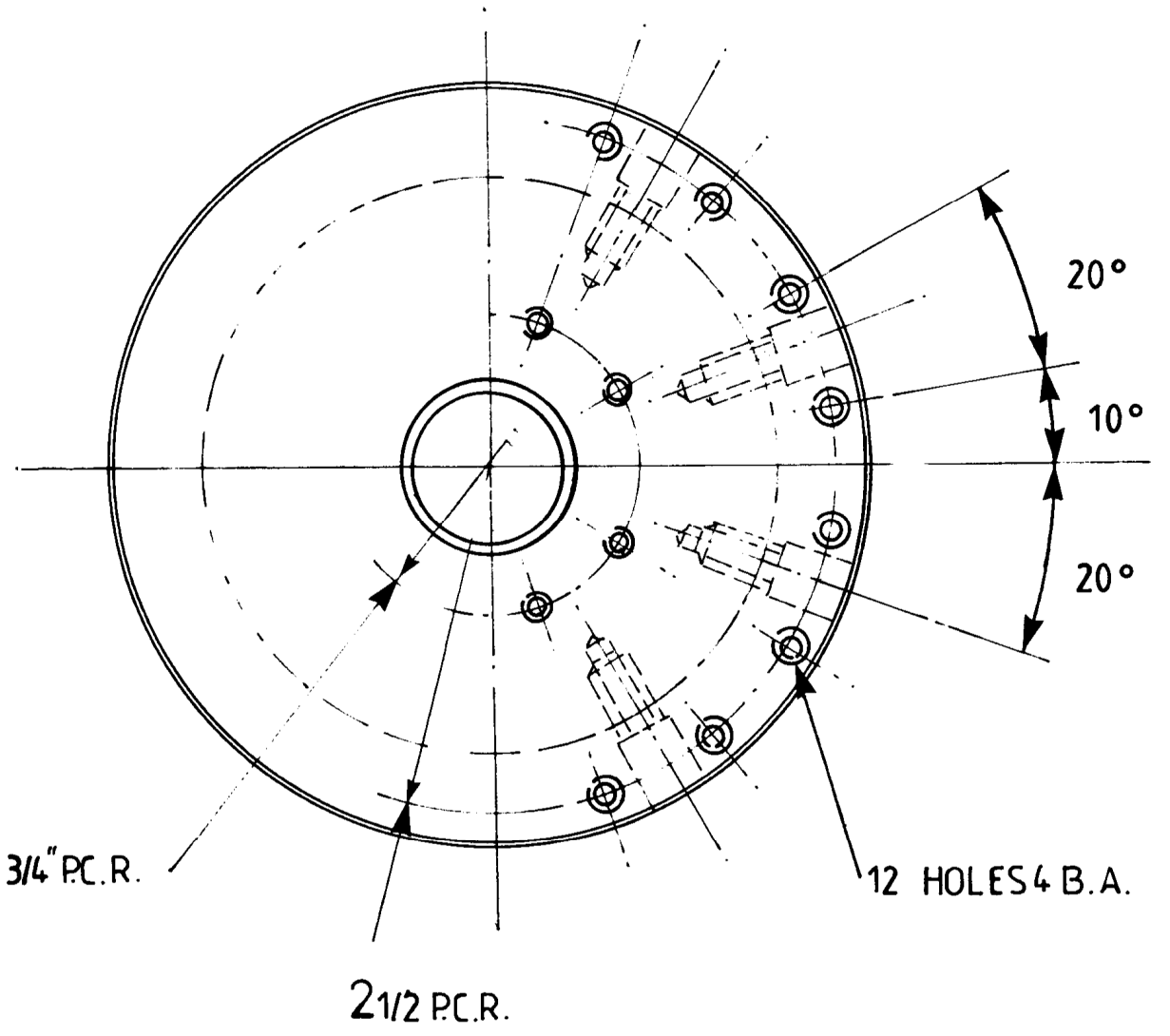


ABLE FACE & PIVOT
AFTER ASSY.



E.



ITEM 2 TURNTABLE MILD STEEL QTY 1.