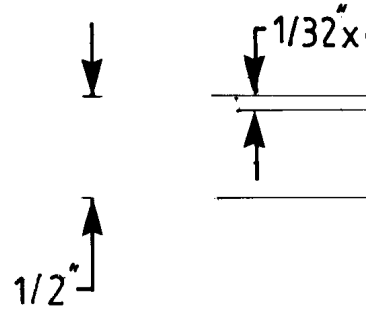
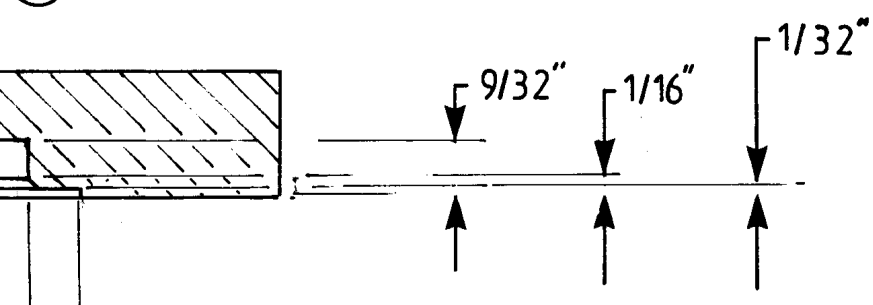


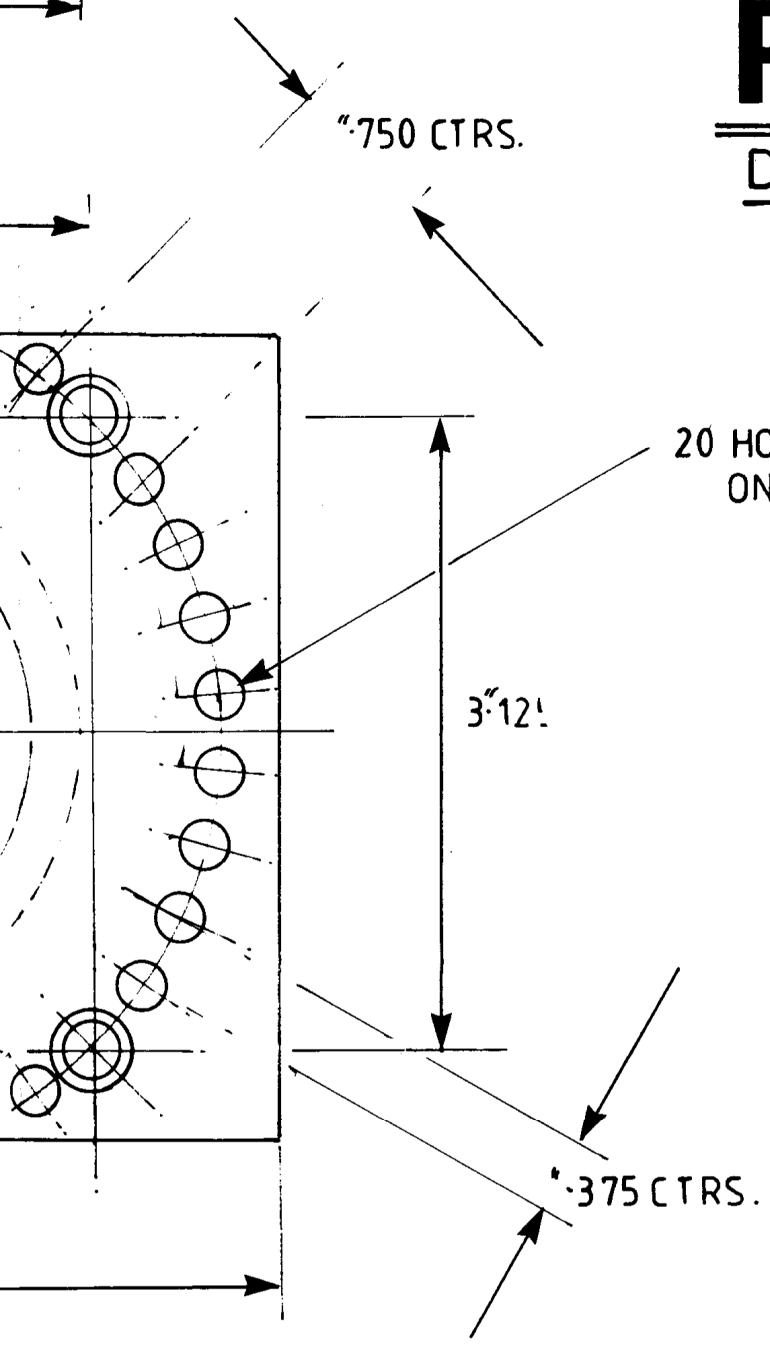
NOTE: M/C TABLE FACE
AFTER ASS

3



ROTARY TABLE.

DESIGNED BY T. DAISH.



20 HOLES REAM ϕ 7/32
ON 2-207 P.C.R.

3.12

.375 CTRS.

3/4"

1.