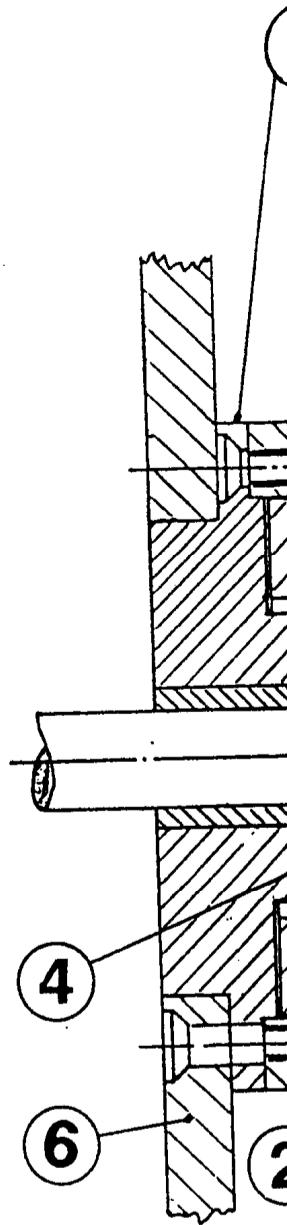
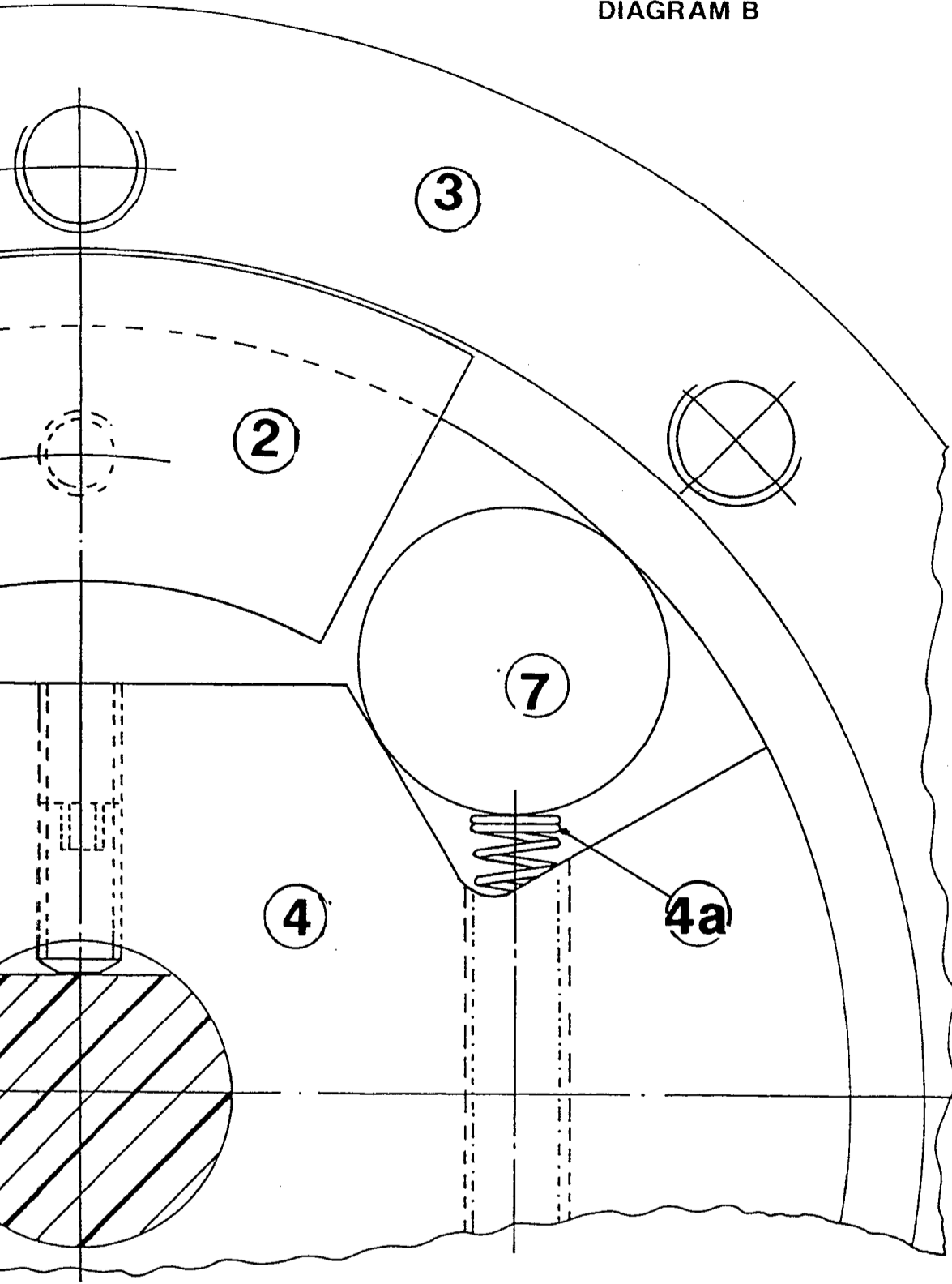


DIAGRAM B



SECTIONAL

20

30mm.

