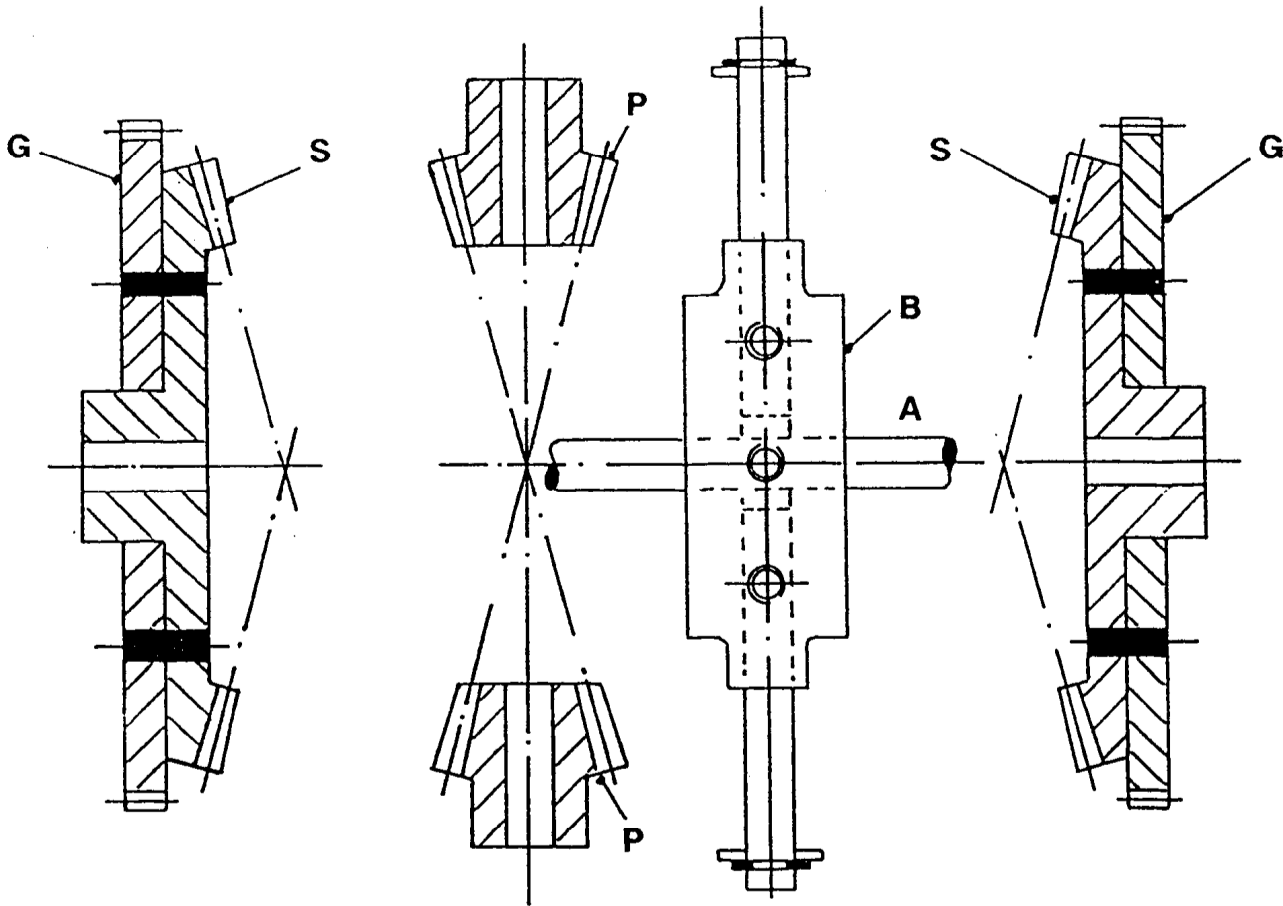
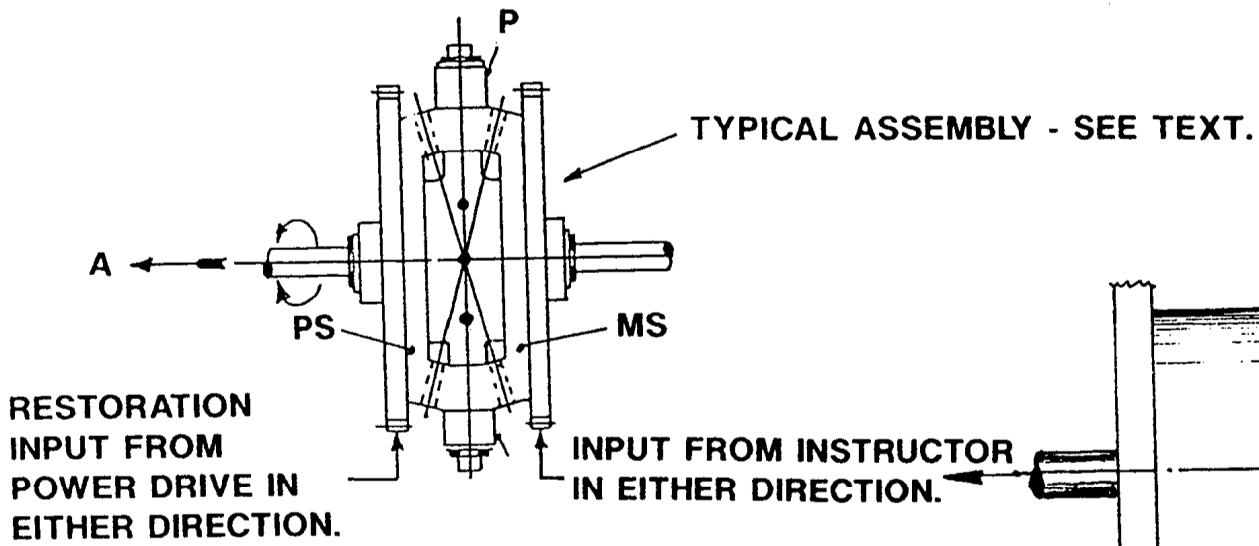


DIAGRAM A



COMPONENT PARTS OF DIFFERENTIAL GEAR



INSTRUCTOR'S INPUT DISPLACES
OUTPUT 'A' FROM
EQUILIBRIUM POSITION -
RESTORED BY POWER DRIVE

INPUT VIA
INSTRUCTOR
JECLANDI
HANDWHEEL