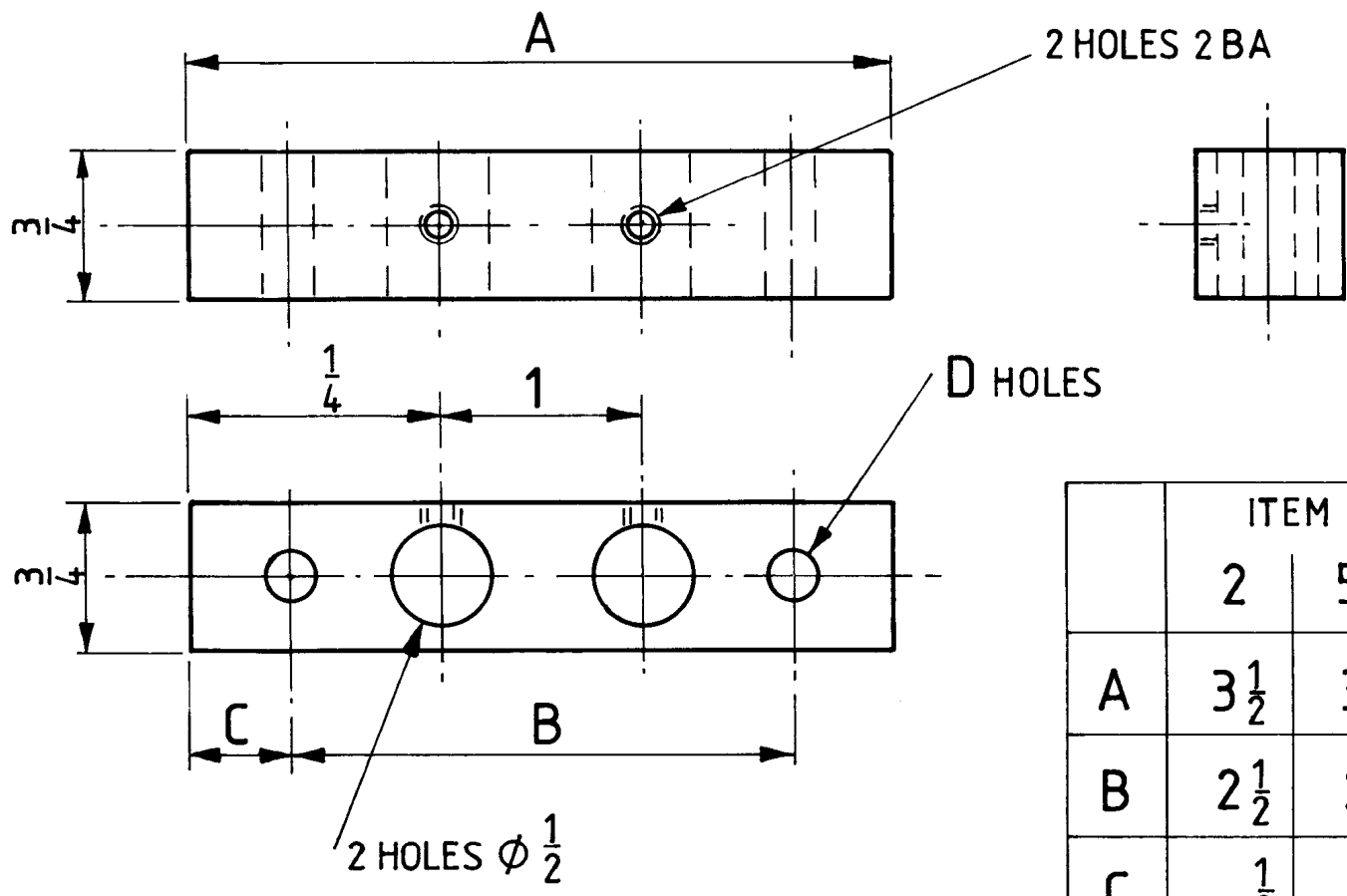


ITEM 3 BEARING HOUSING MILD STEEL QTY 1



	ITEM	
	2	5
A	$3\frac{1}{2}$	3
B	$2\frac{1}{2}$	$2\frac{1}{4}$
C	$\frac{1}{2}$	$\frac{3}{8}$
D	$\phi\frac{1}{4}$	2 BA

ITEMS 2 & 5 BLOCKS MILD STEEL QTY 1 EACH