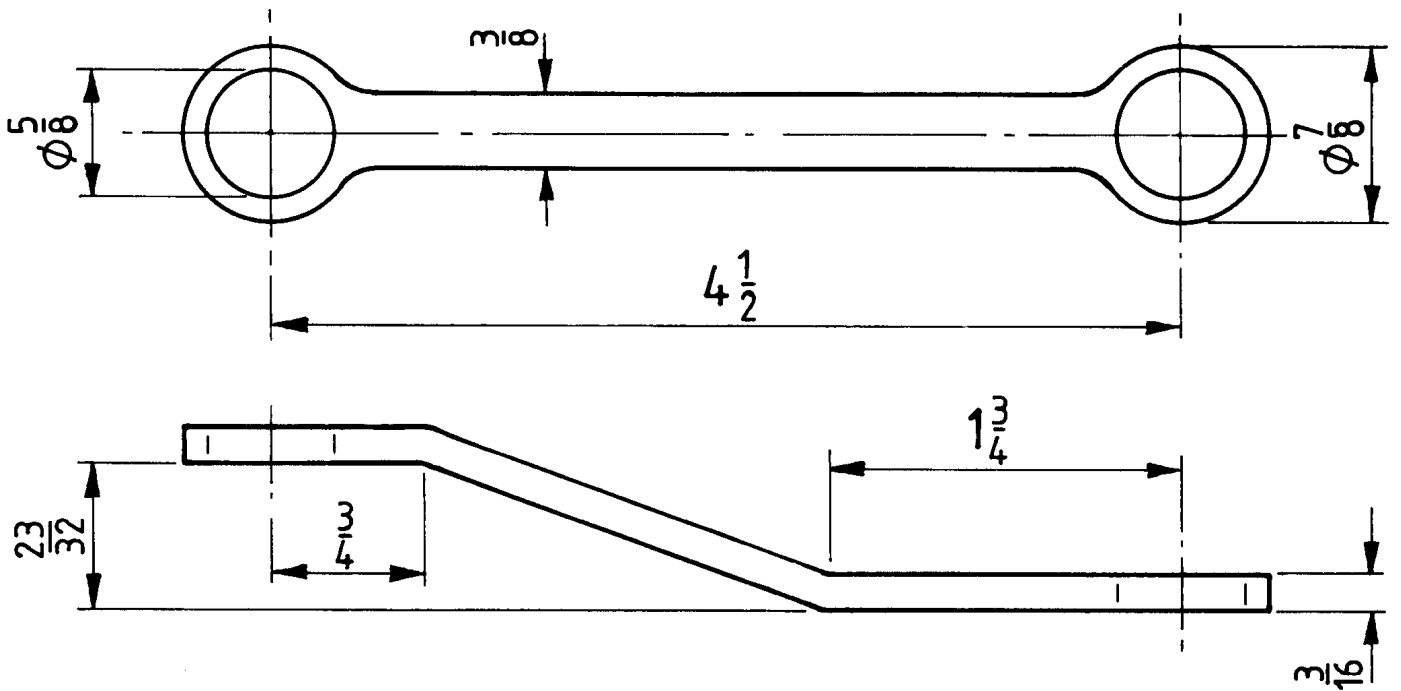
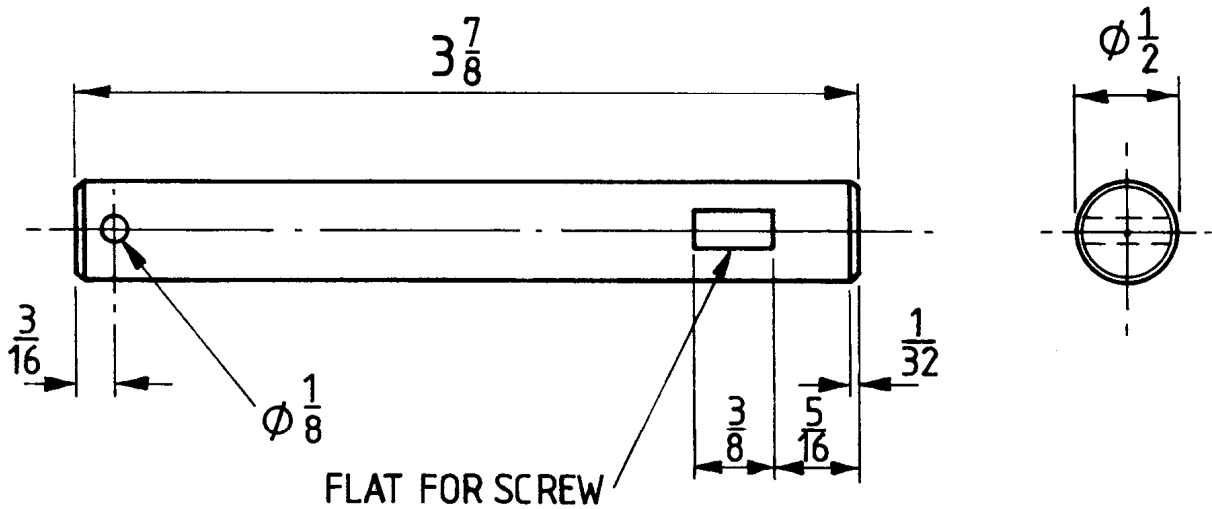


ITEM 14 PILLAR MILD STEEL QTY 1



ITEM 15 CONNECTING ROD MILD STEEL QTY 1



ITEM 13 GUIDE BRASS QTY 1