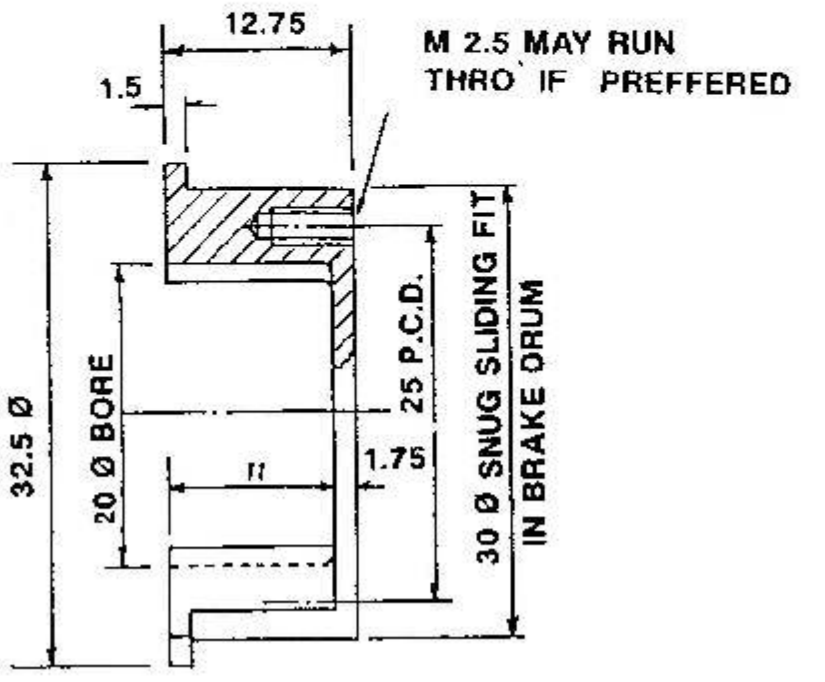
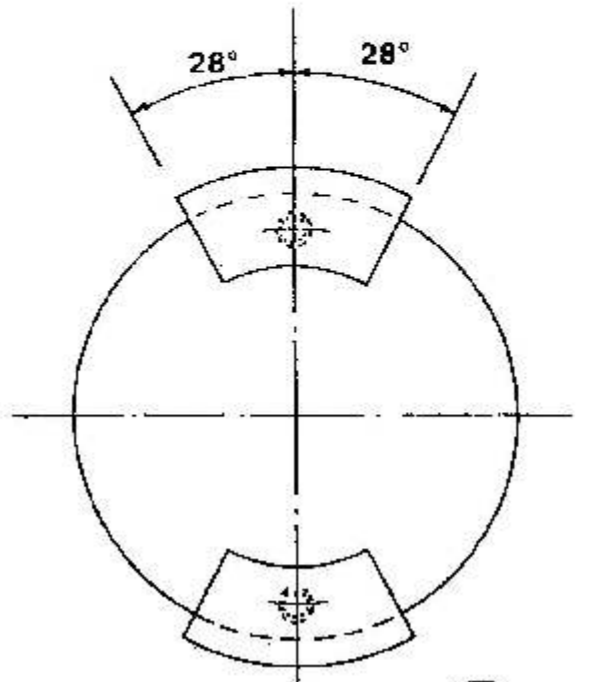


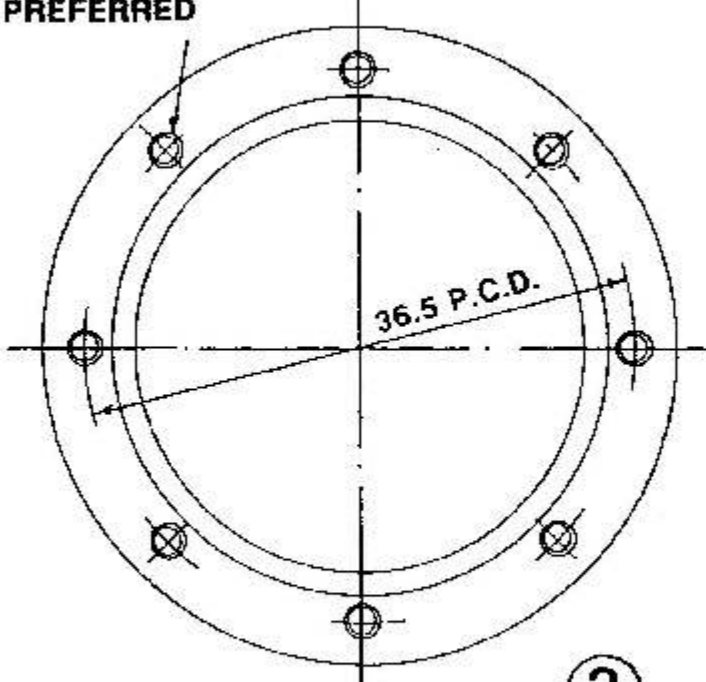
(PROTOTYPE SPRINGS WERE SALVAGED FROM BALL-PEN ACTIONS. LIGHTER-FLINT SPRINGS MAY SUFFICE)



②

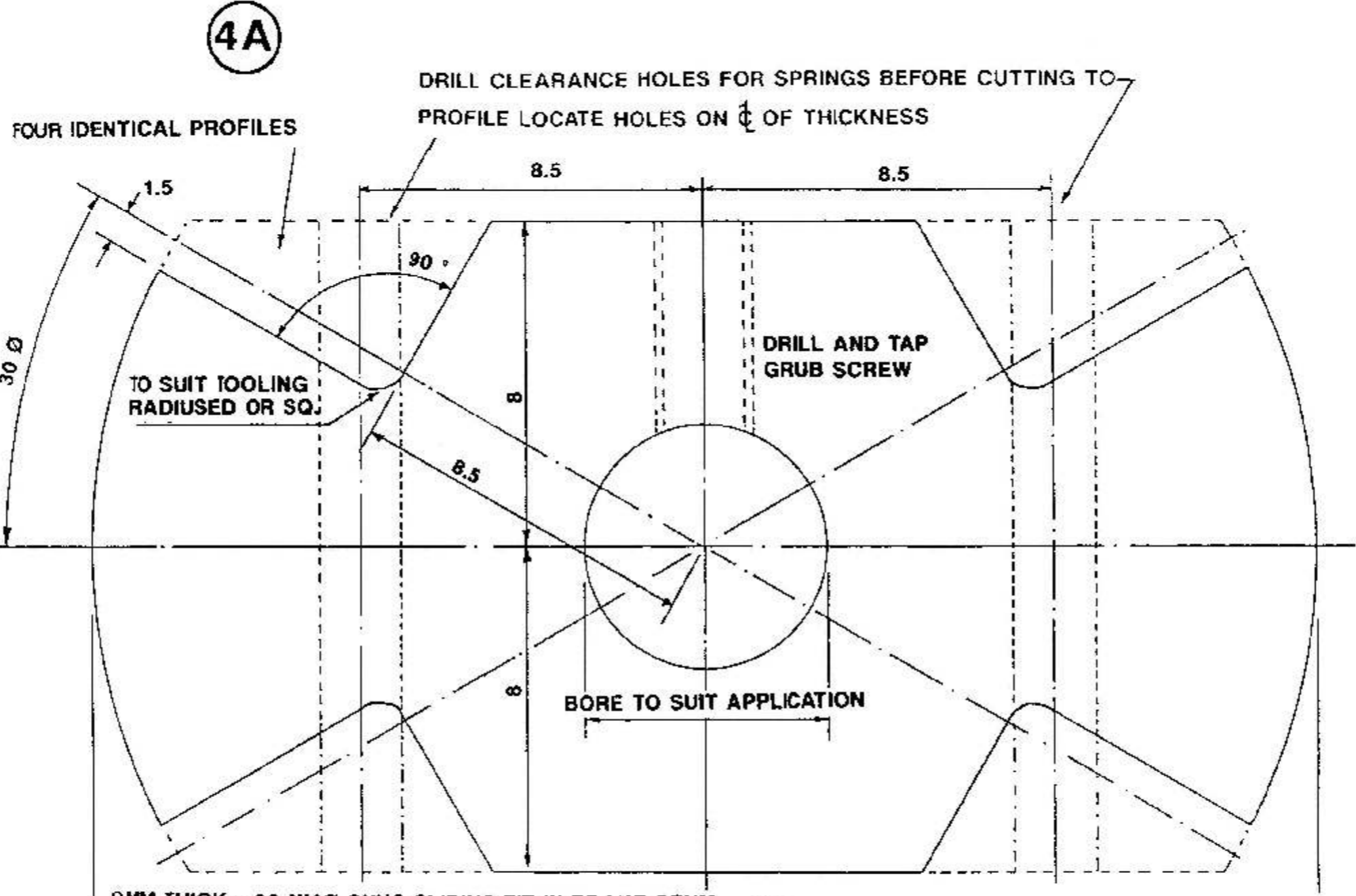
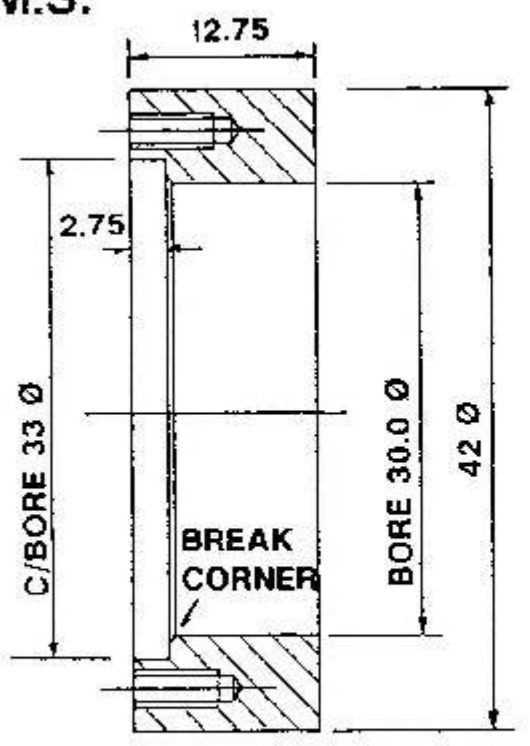
DRIVING YOKE M.S.

EIGHT M 2.5 TAP MAY RUN THRO' IF PREFERRED



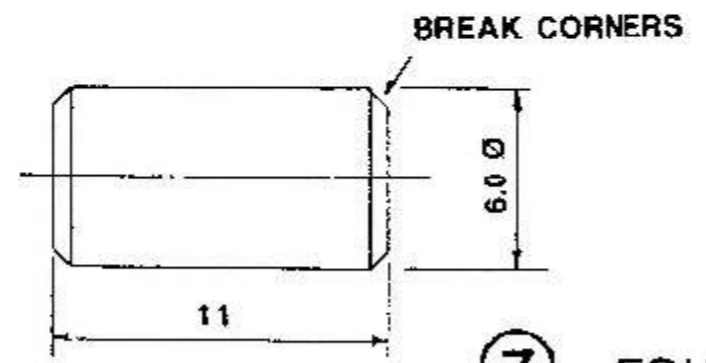
③

BRAKE DRUM M.S.

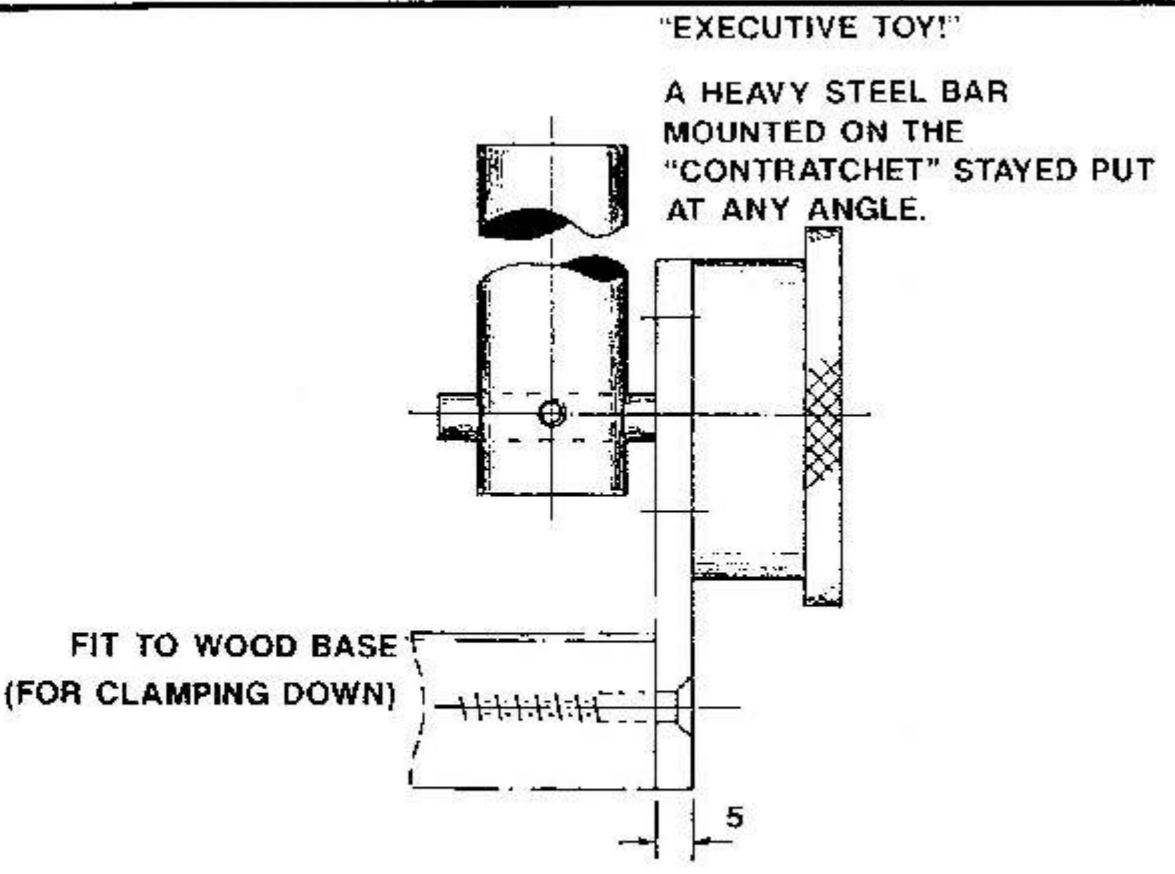


4A

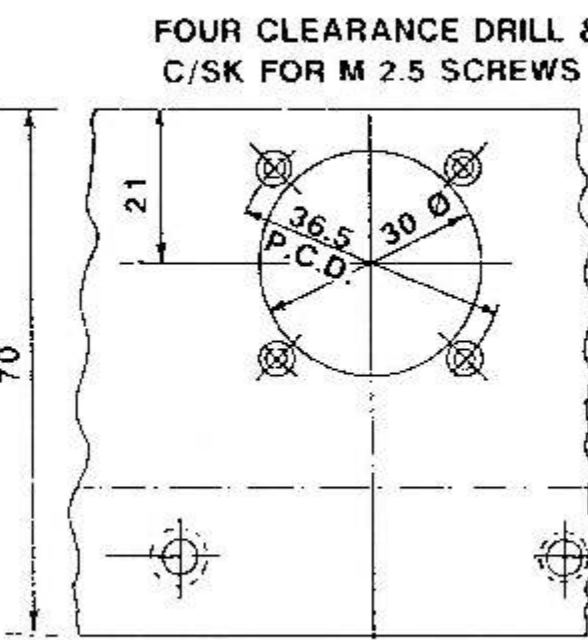
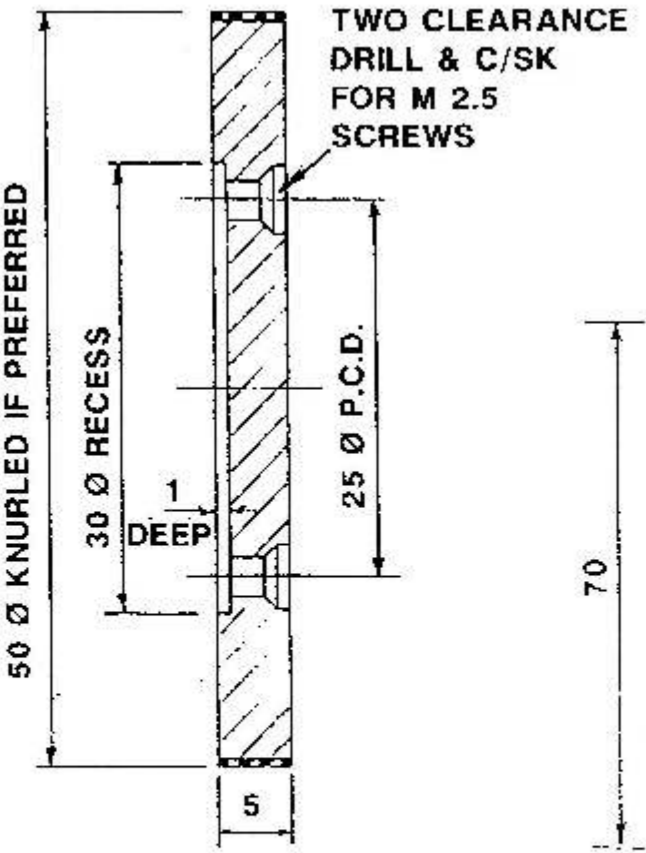
④ RATCHET BOSS 9MM THICK M.S.



⑦ FOUR ROLLERS



⑤ HAND WHEEL M.S.



⑥ SUPPORT PLATE M.S.