

94.
BACK PLATE.
 IRON OR MILD STEEL.

HOLES DATA:-
 A DRILL N°19
 B REAM 1/8" ϕ

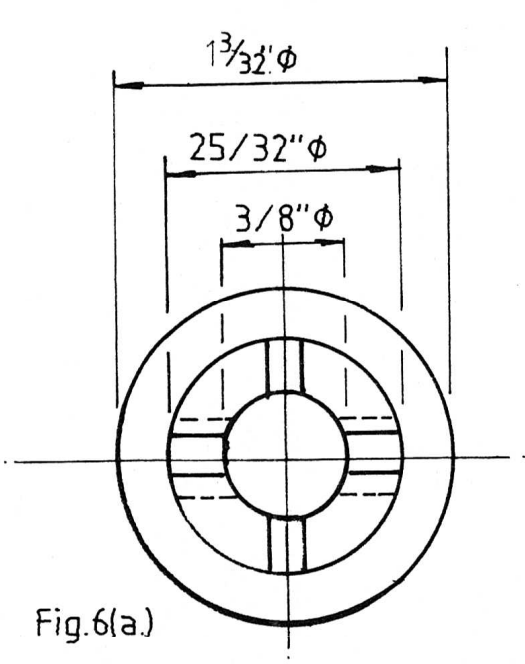
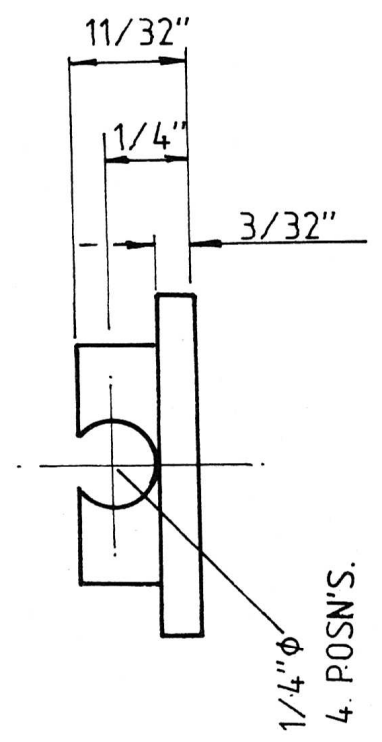


Fig. 6(a.)



(5) CENTRE BEARING - BRASS.