

HALF SECTION ON X-X.

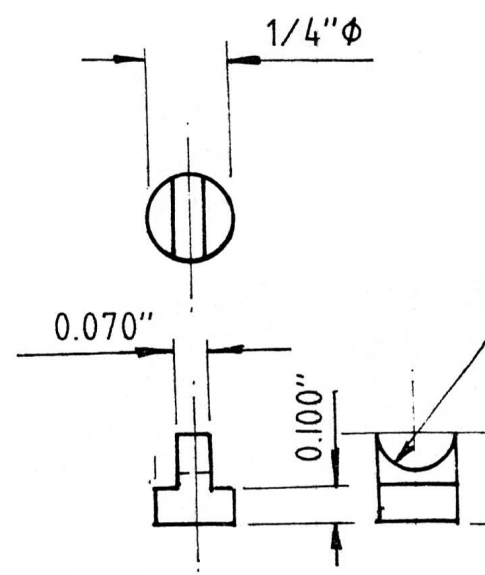


Fig.6(b.) (7) SCREW RETAINER  
 4 off  
 MILD STEEL - CASE HARDENED