

### FOUR JAW CHUCK

DESIGNED BY Mr R.J. Loader

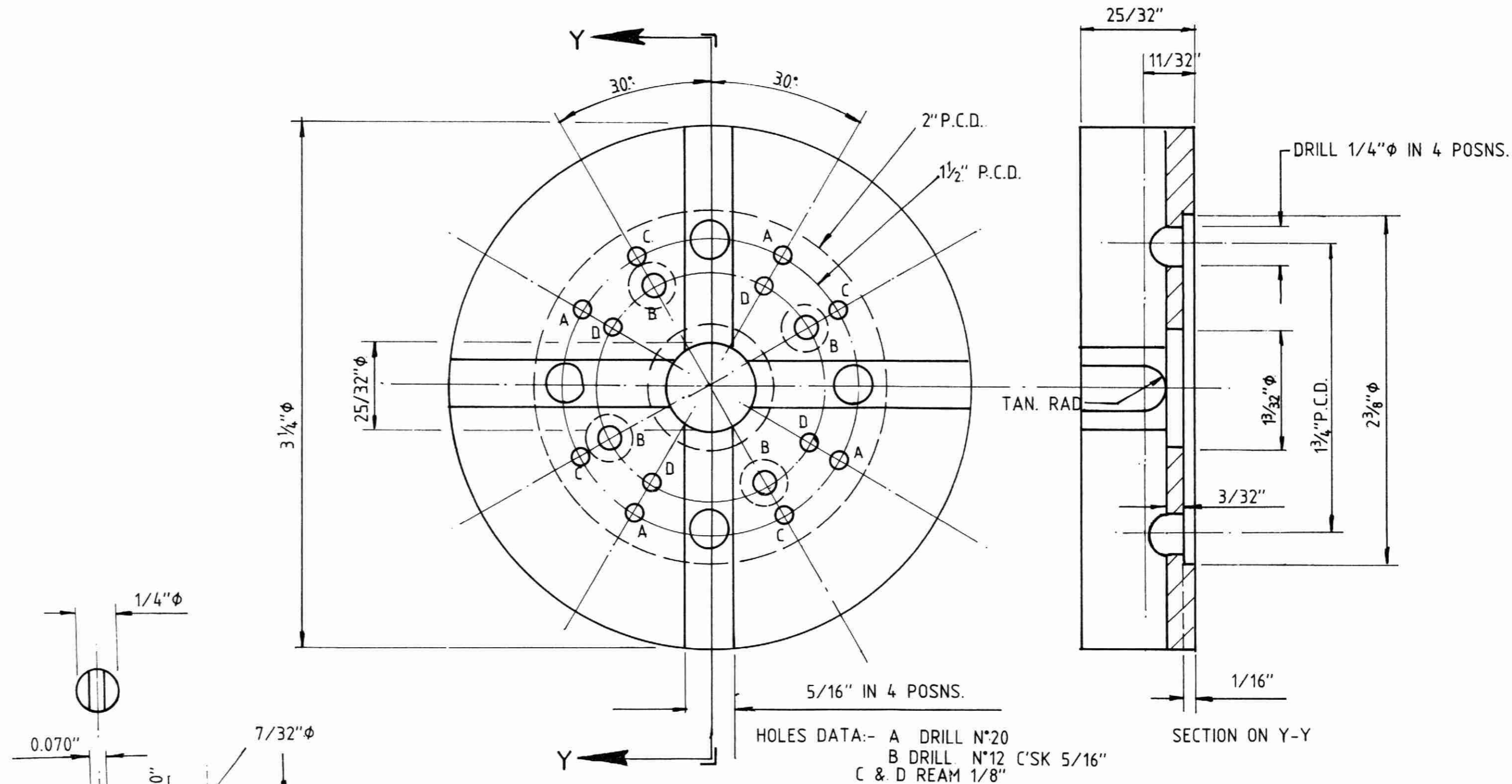


Fig.6(b.) ⑦ SCREW RETAINER  
4 off  
MILD STEEL - CASE HARDEN.

Fig.2. CHUCK BODY. ①  
CAST IRON.

HOLES DATA:- A DRILL N°20  
B DRILL N°12 C'SK 5/16"  
C & D REAM 1/8"

DIMENSIONS IN INCHES.

