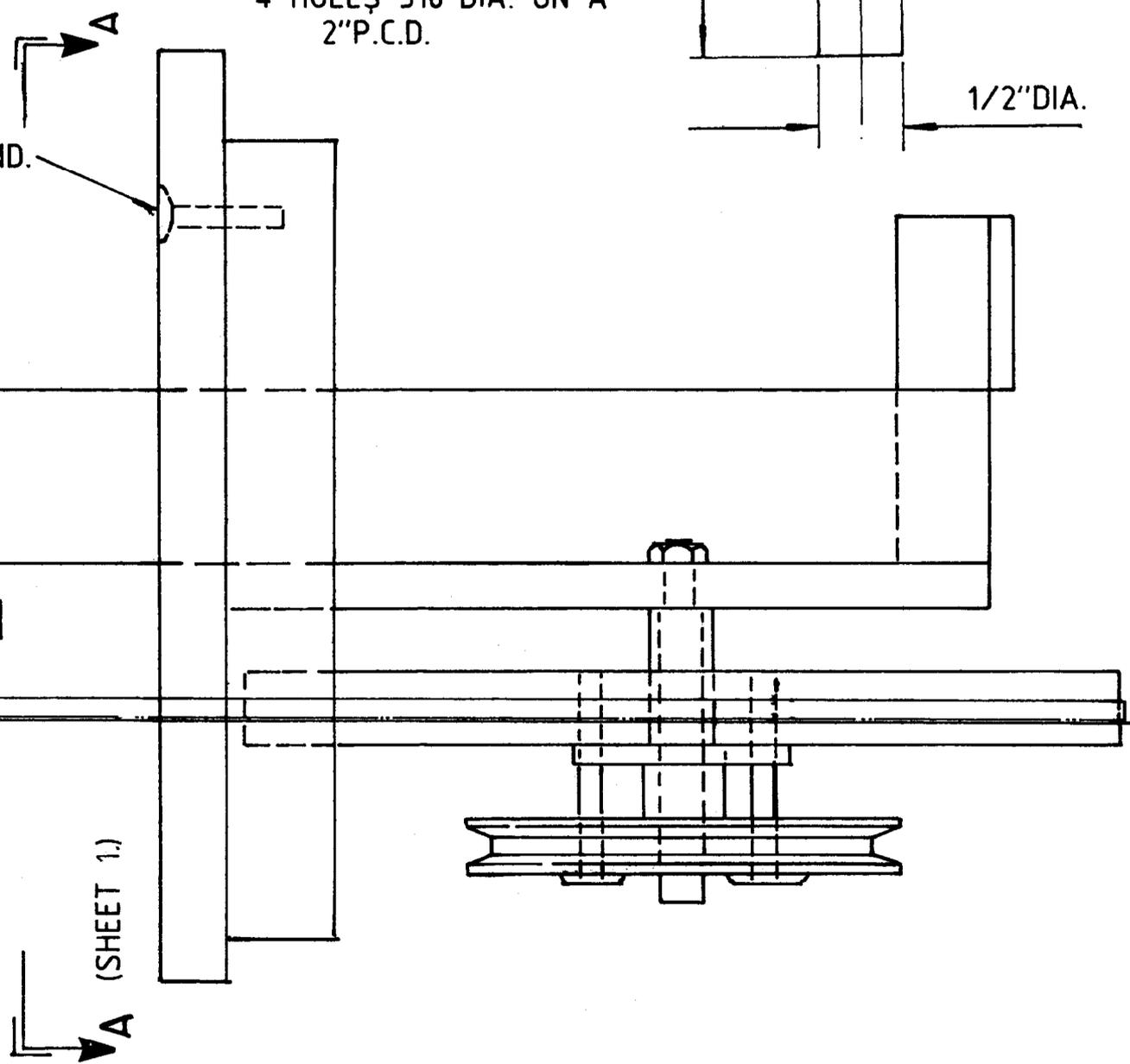
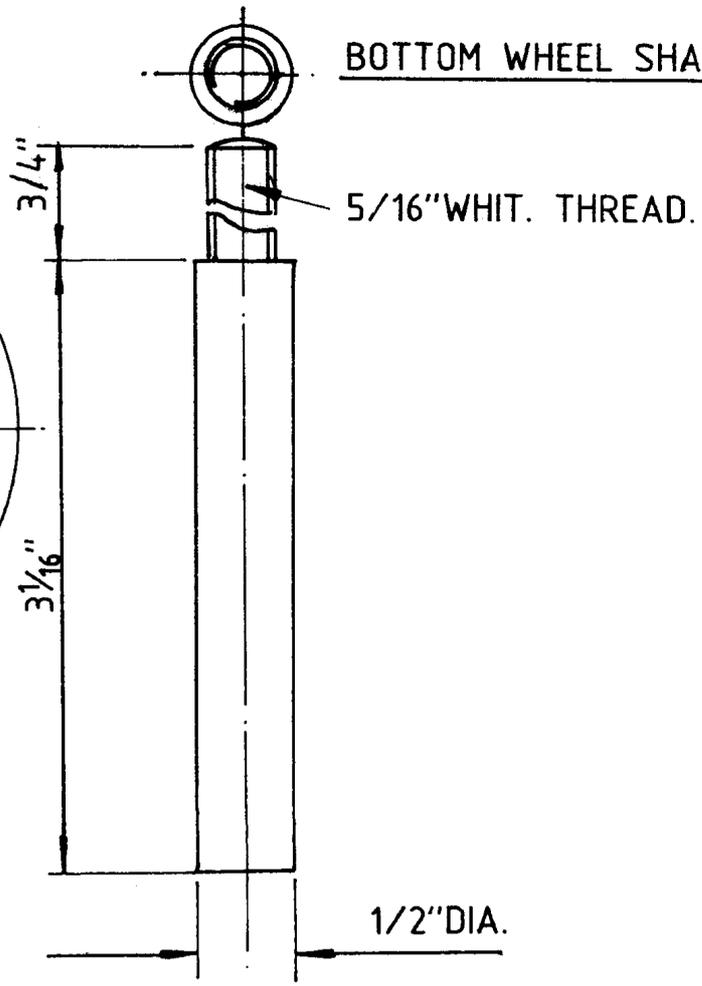
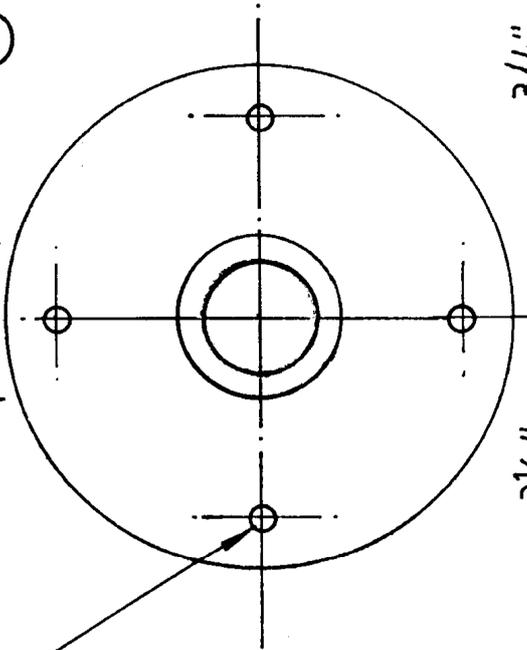
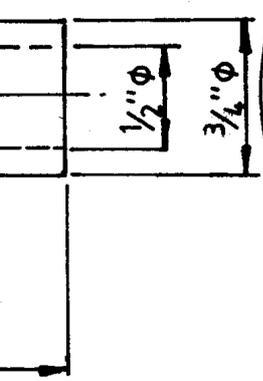


TOP BUSH (10)
BOTTOM BUSH (5)

BOTTOM WHEEL SHAFT (4)



SHEET 1/ PLACE SHEET 1 AS SHOWN FOR OTHER PROJECTION OF THIS VIEW.