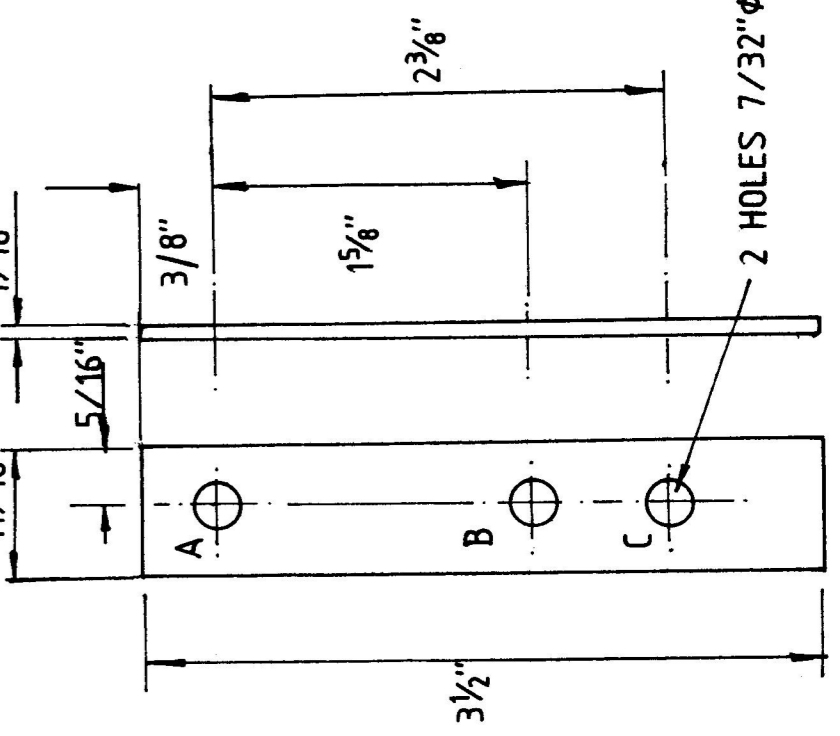
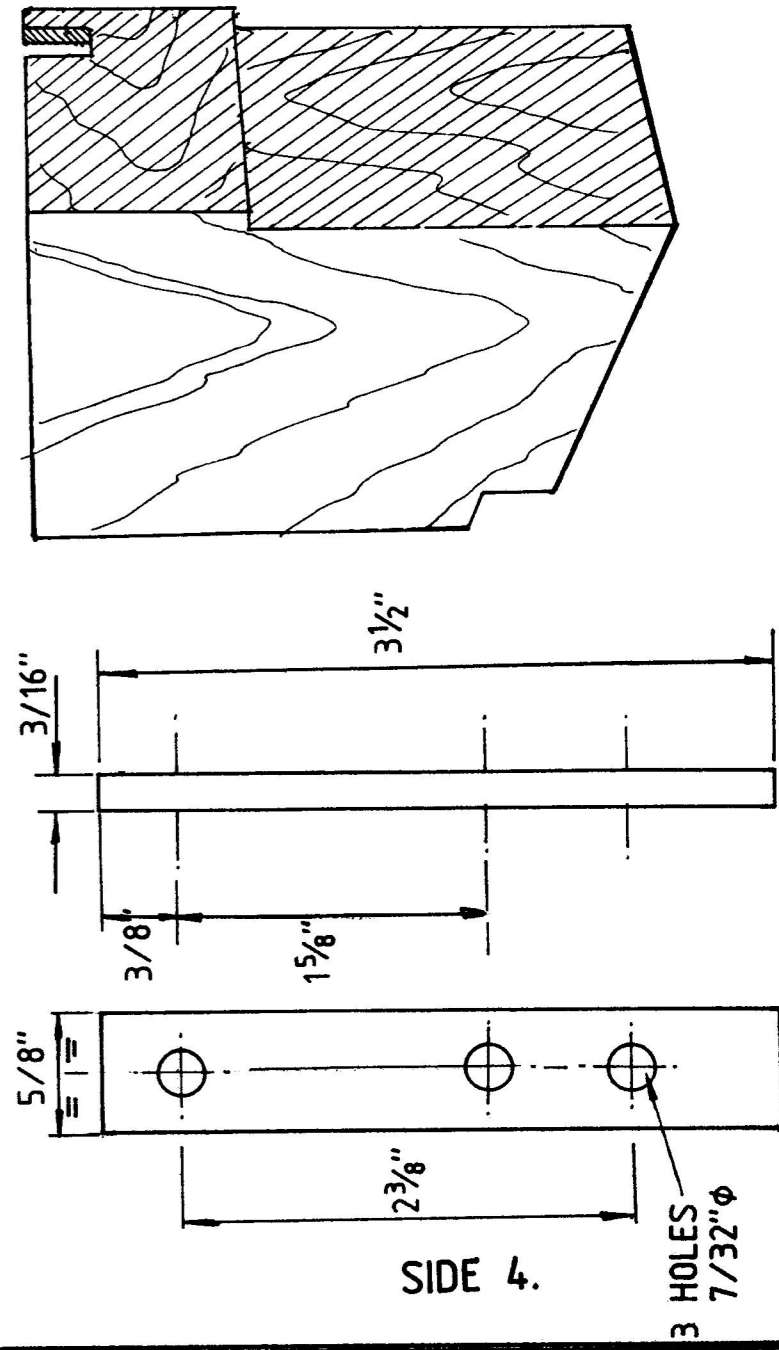
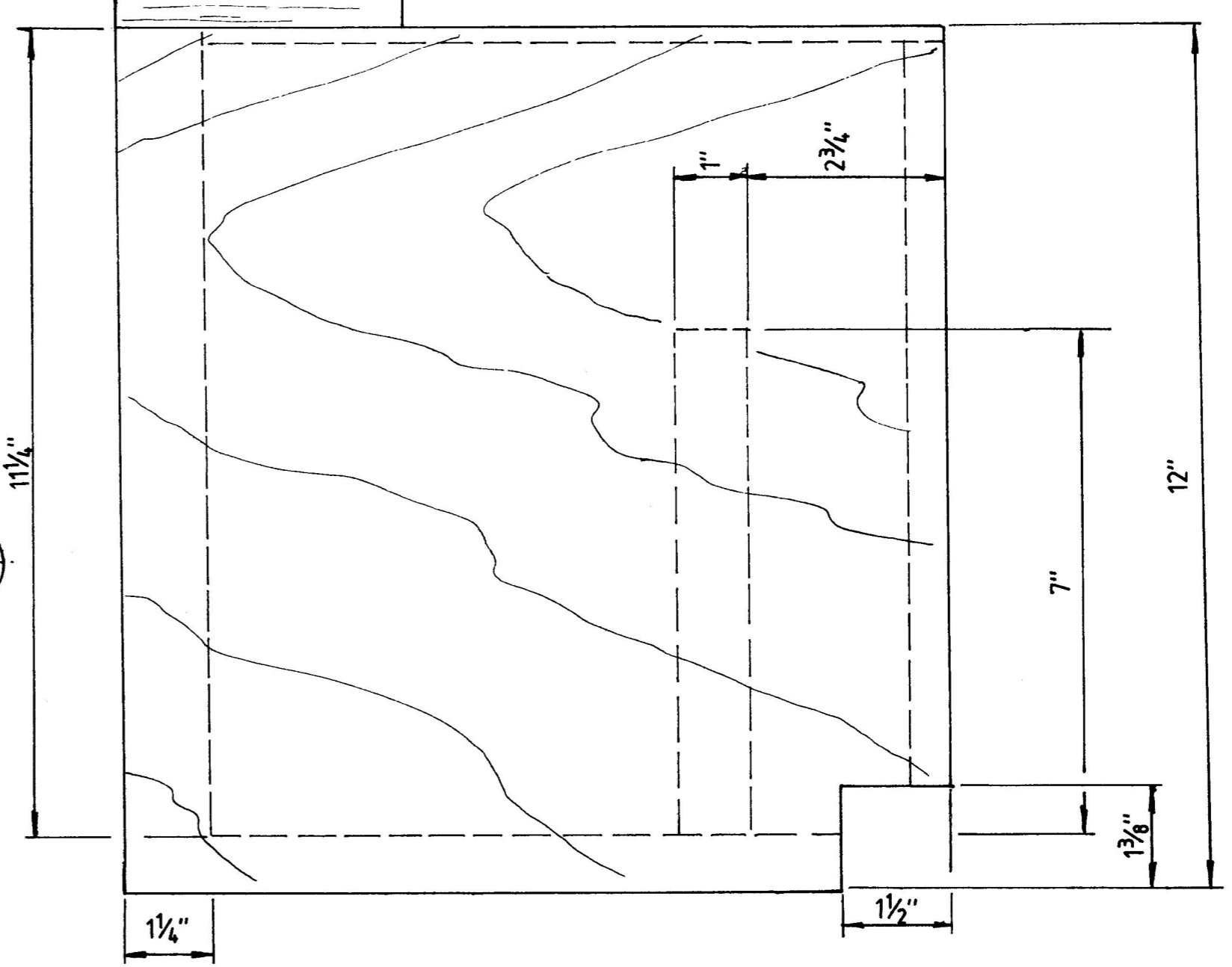


BANDSAW GUARDS-HALF SIZE.

NOTE:-MAKE ADDITIONAL SMALL CUTOUTS AS REQUIRED.



TOP WHEEL SHAFT ASSY. GUIDES ⑨

TOP WHEEL SHAFT CLAMP L.H. ⑧ (HOLES A & C)
TOP WHEEL SHAFT CLAMP R.H. ⑨ (HOLES A & B)