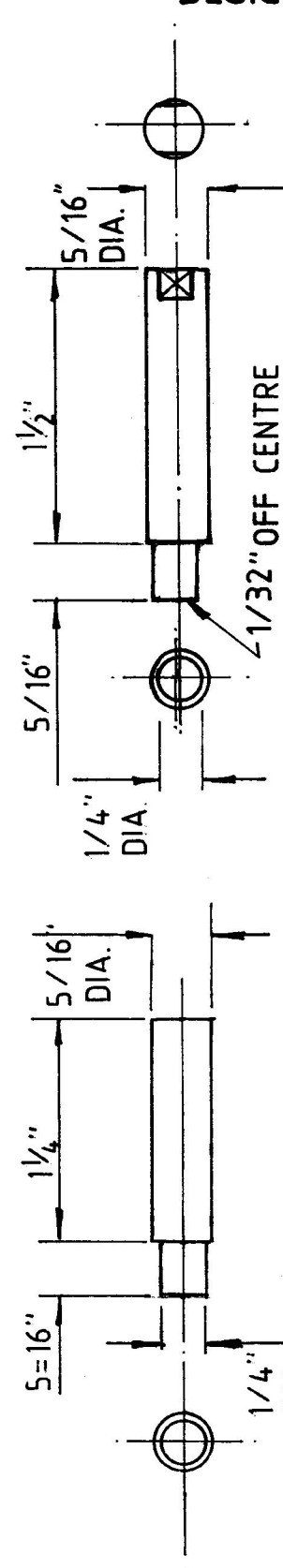


BAND SAW

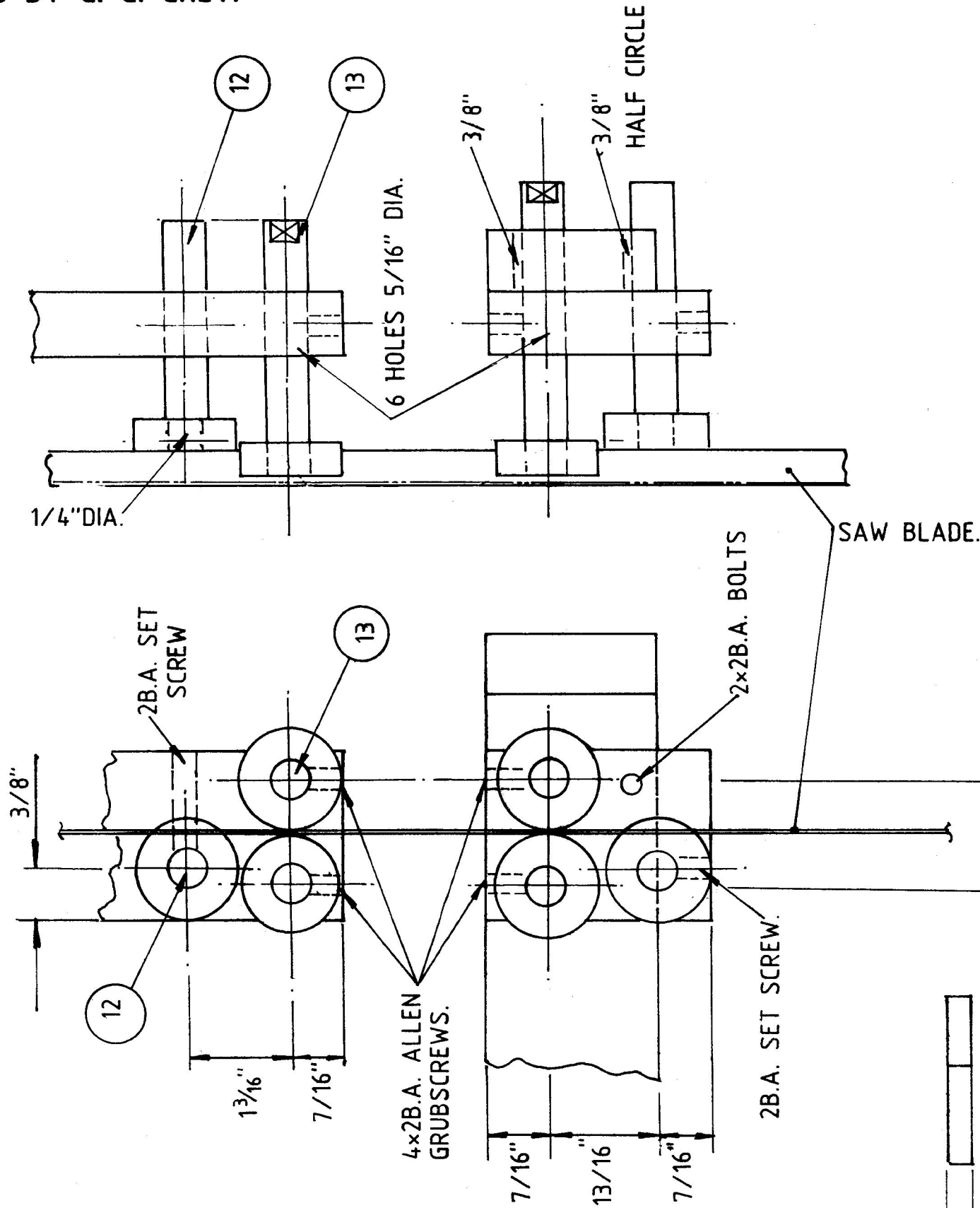
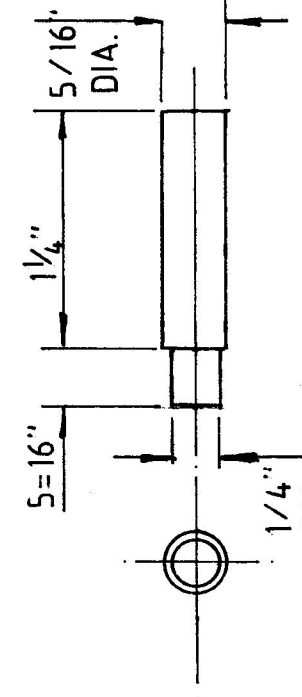
PART 2

DESIGNED BY G. G. GREY.

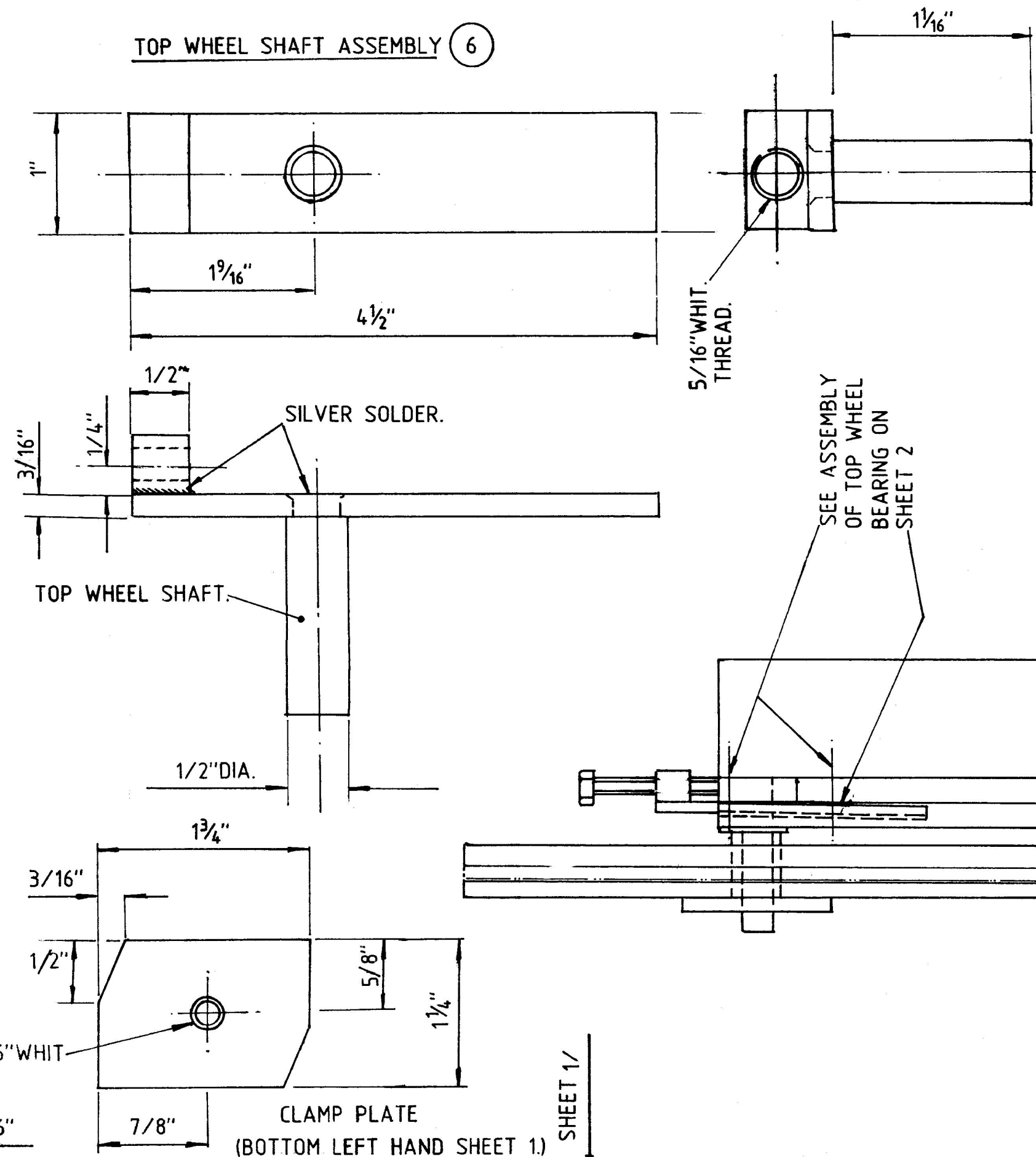
ADJUSTABLE BEARING PIN (13) 4off.



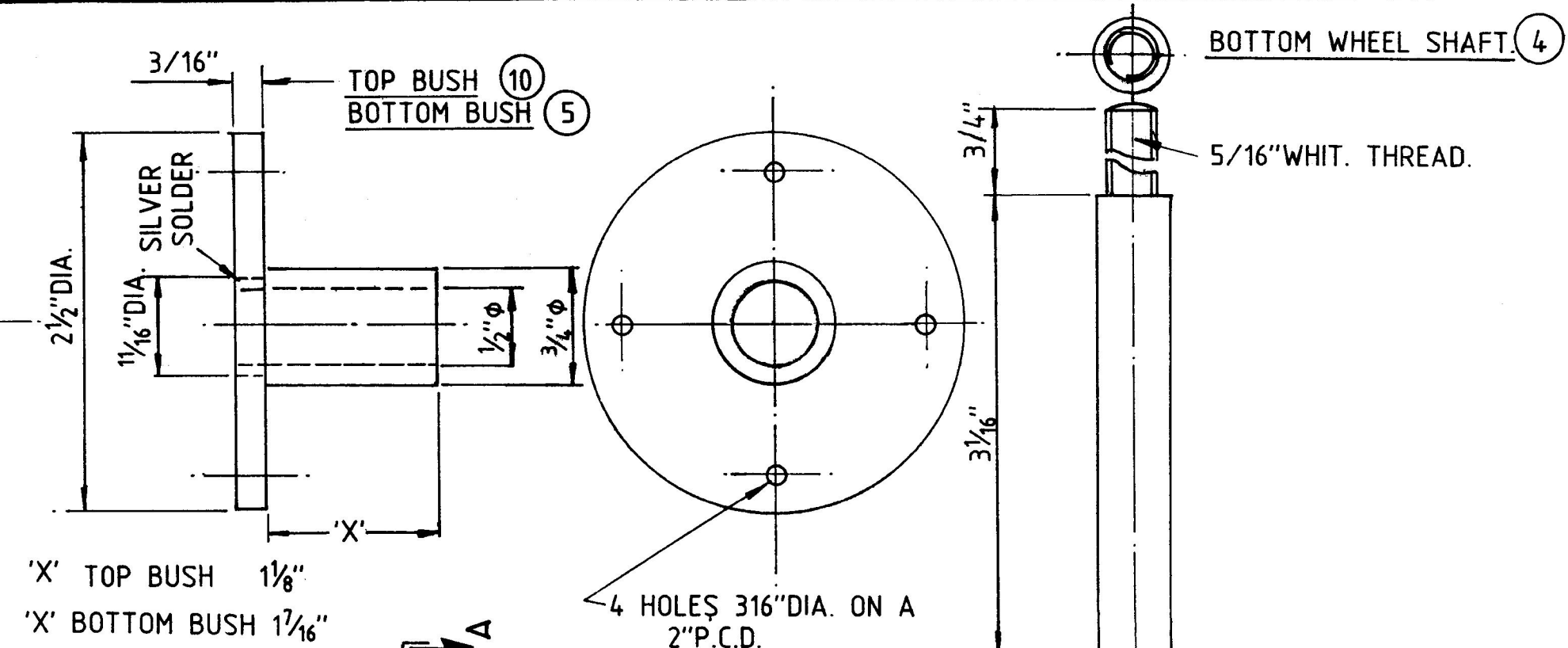
FIXED BEARING PIN (12) 2off.



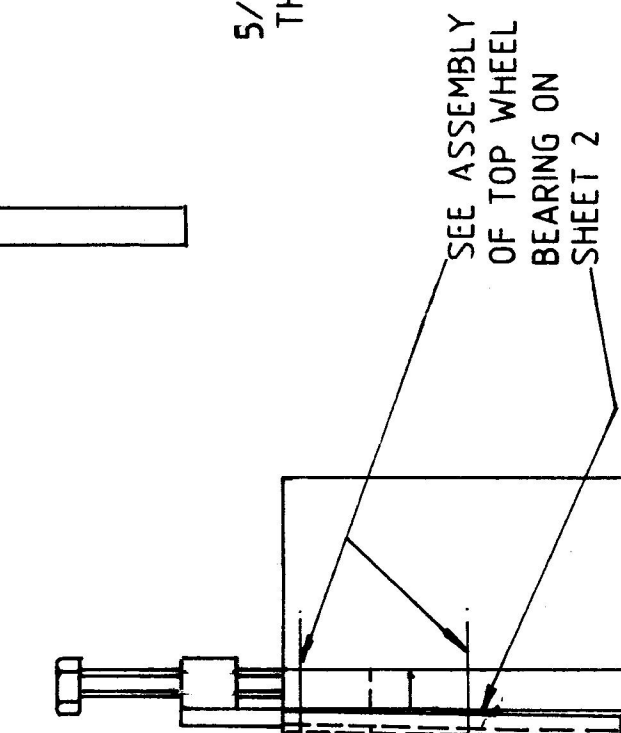
TOP WHEEL SHAFT ASSEMBLY (6)



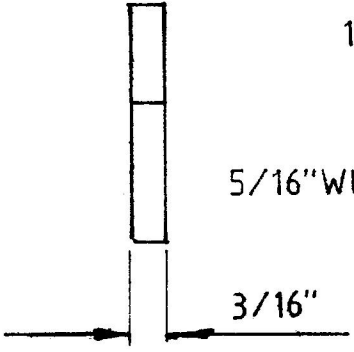
TOP BUSH (10) BOTTOM BUSH (5)



3x2B.A. C'SUNK HD. ALLEN SCREWS.



CLAMP PLATE (BOTTOM LEFT HAND SHEET 1)



SHEET 1/ PLACE SHEET 1 AS SHOWN FOR OTHER PROJECTION OF THIS VIEW.