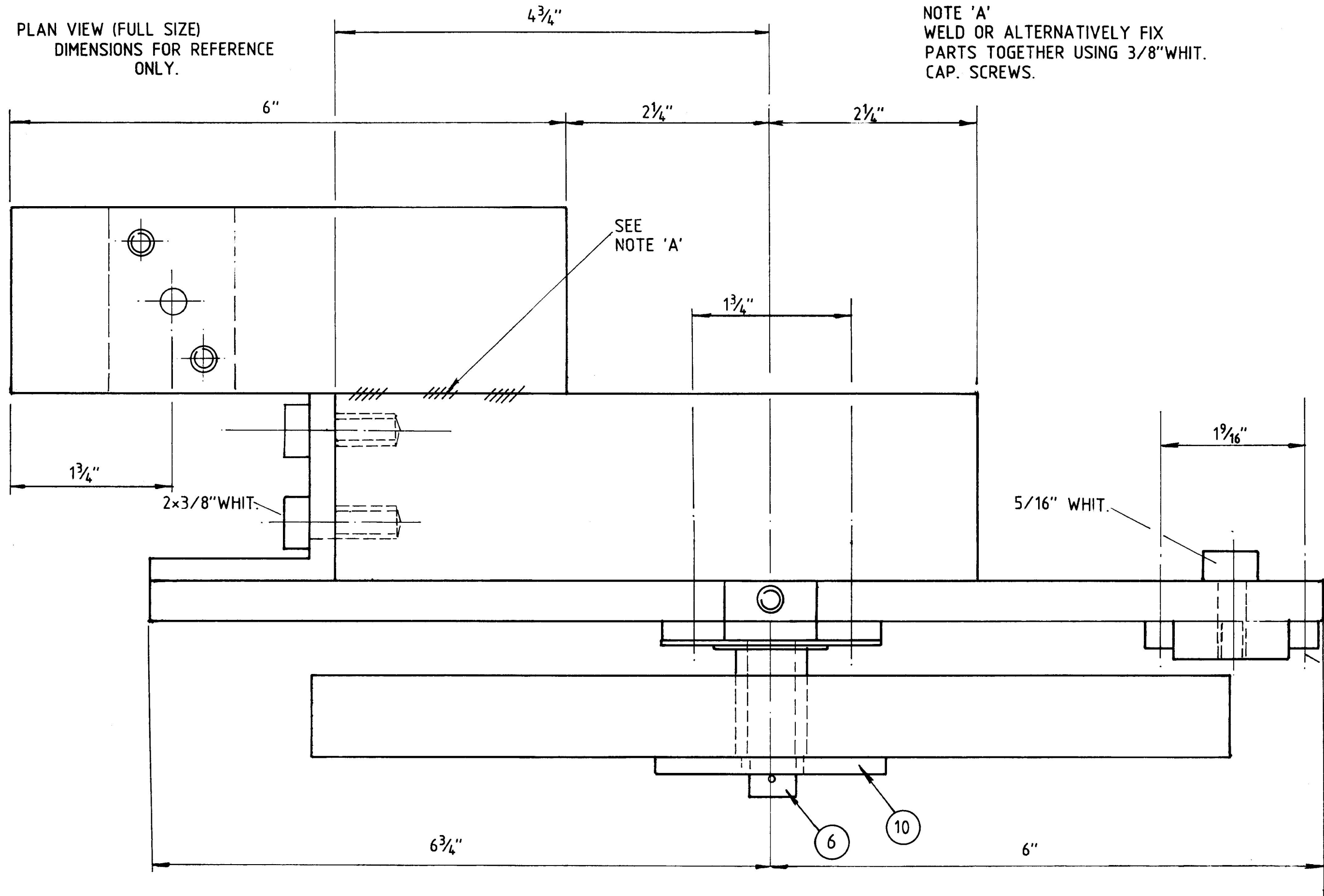
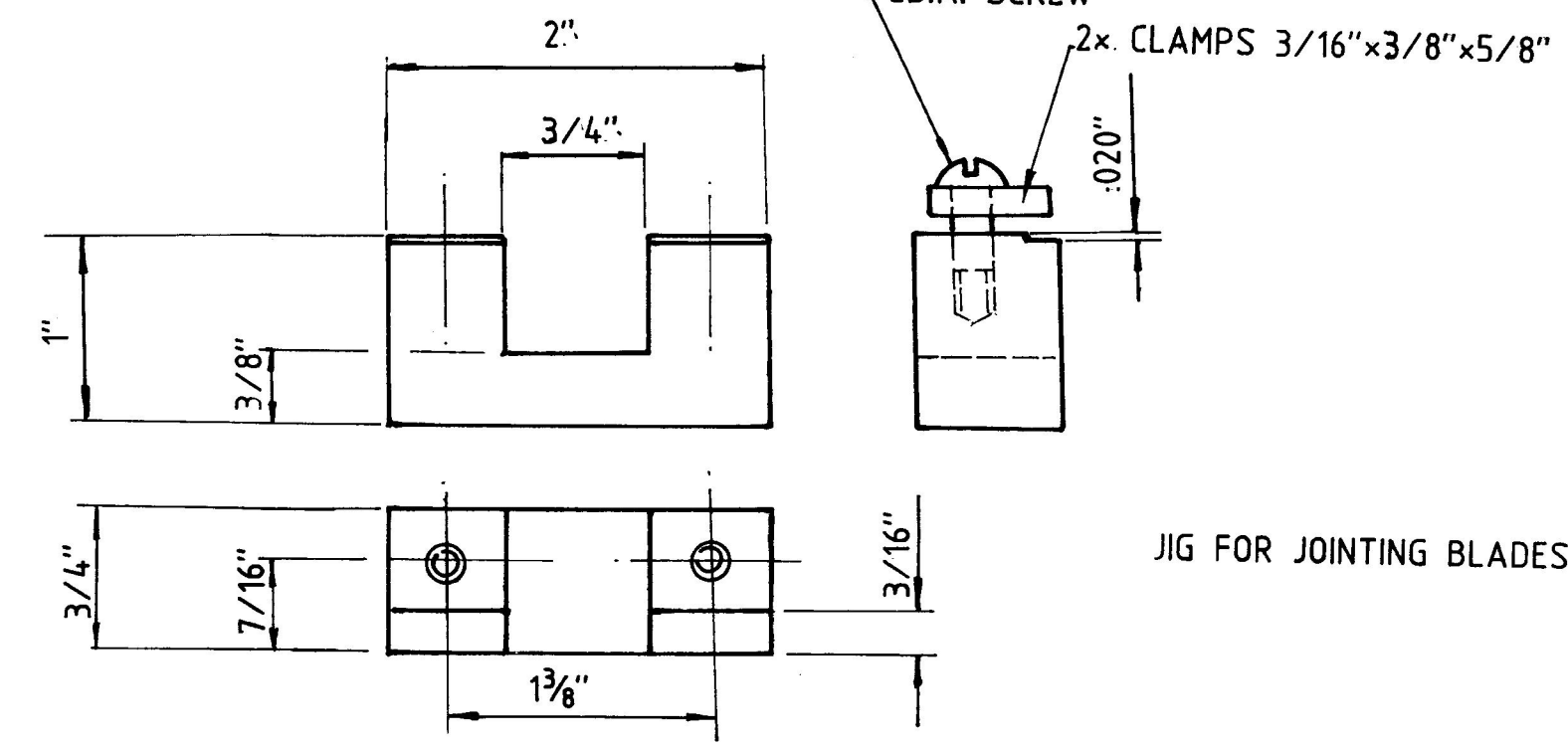
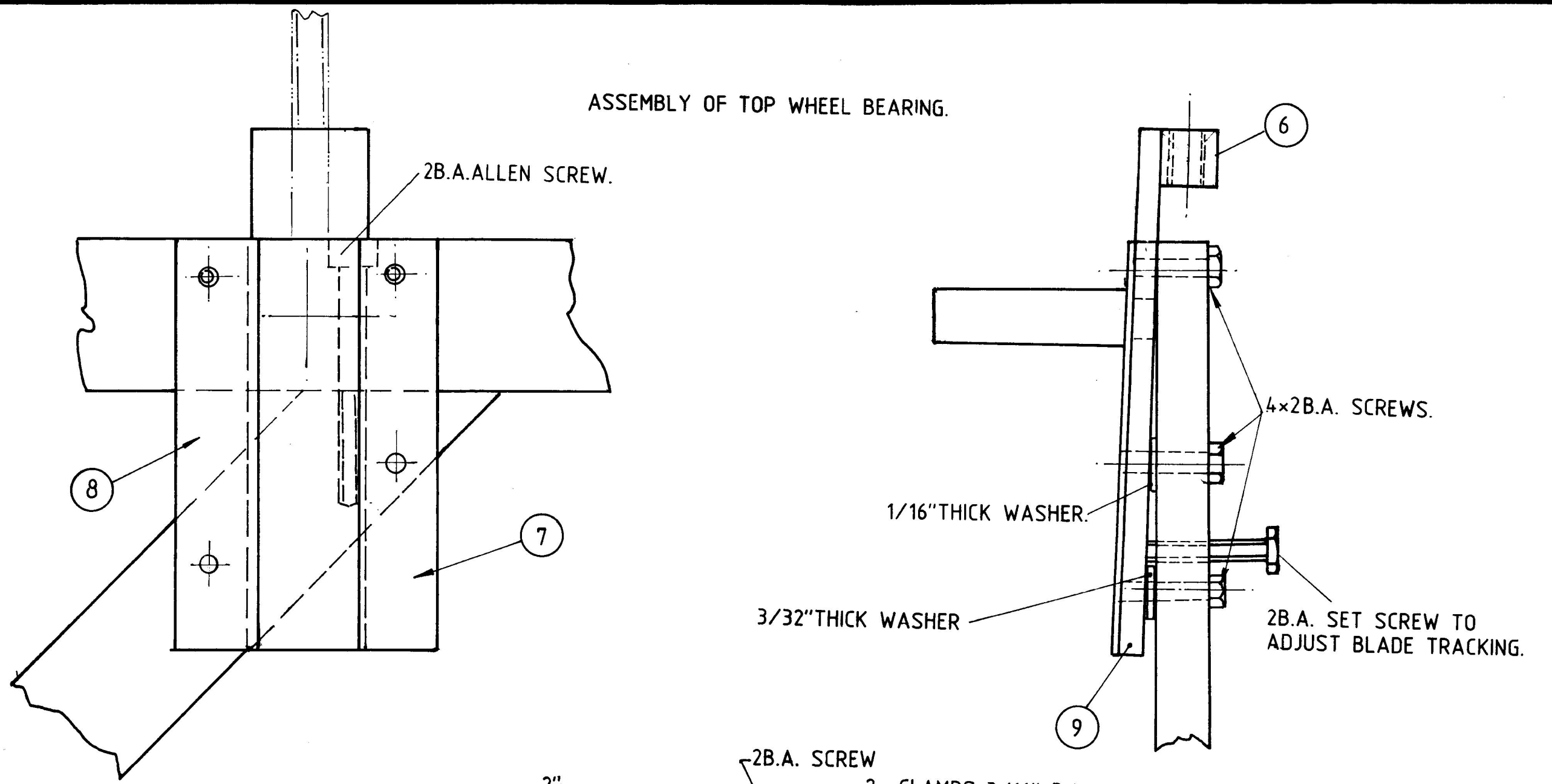


PLAN VIEW (FULL SIZE)  
DIMENSIONS FOR REFERENCE  
ONLY.



NOTE 'A'  
WELD OR ALTERNATIVELY FIX  
PARTS TOGETHER USING 3/8" WHIT.  
CAP. SCREWS.

ASSEMBLY OF TOP WHEEL BEARING.



JIG FOR JOINTING BLADES M.S.