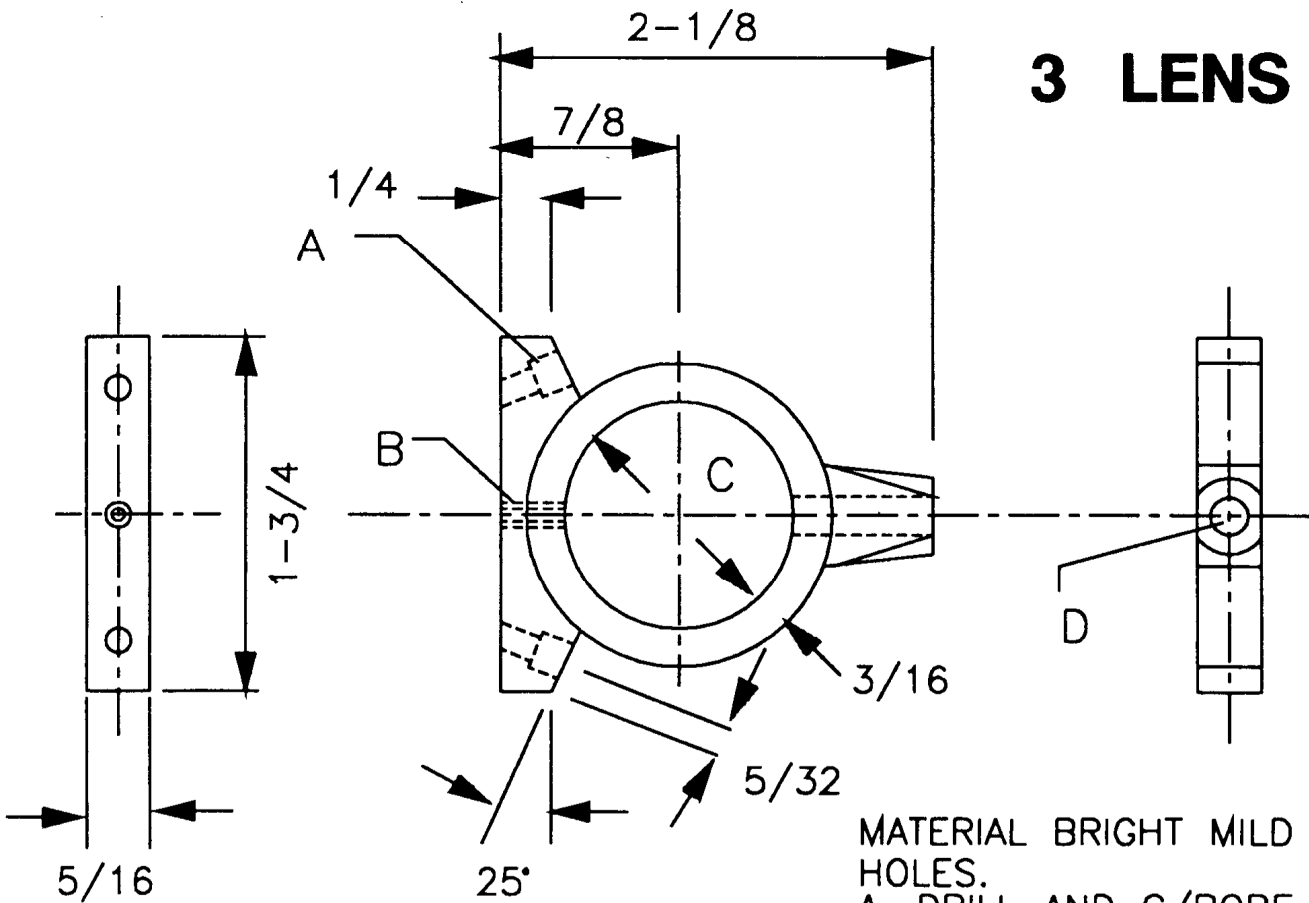


3 LENS MOUNT



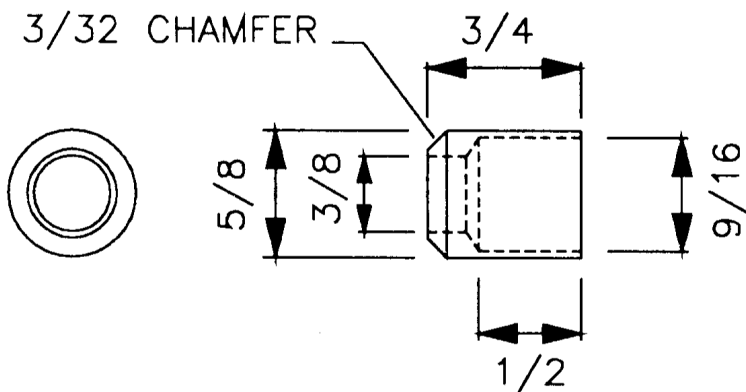
MATERIAL BRIGHT MILD STEEL.
HOLES.

A. DRILL AND C/BORE FOR
4BA CAP SCREWS.

B. TAP 6BA.

C. TO FIT ITEM 5.

D. $3/16$.



7 FERRULE

MATERIAL. BRASS.