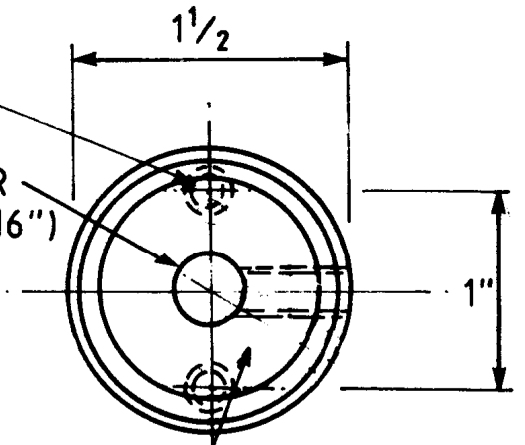


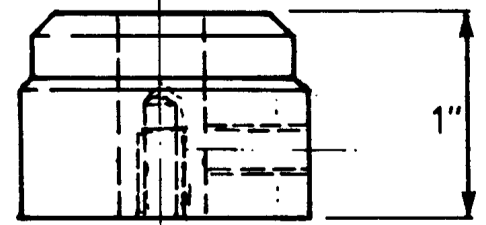
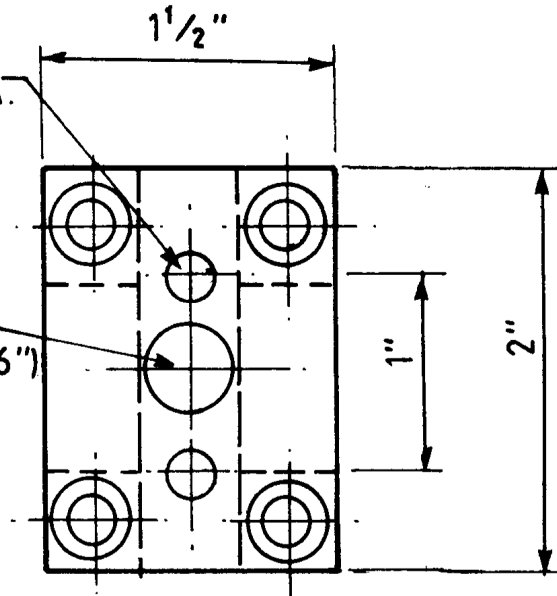
2 HOLES 1/4" B.S.F.
x 1/2" DEEP

DRILL CLEAR
FOR 11mm. (7/16")



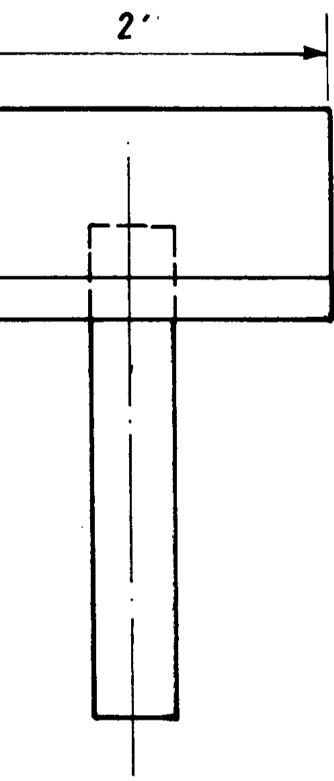
2 HOLES
7/32" DIA.

DRILL CLEAR
FOR 11mm. (7/16")

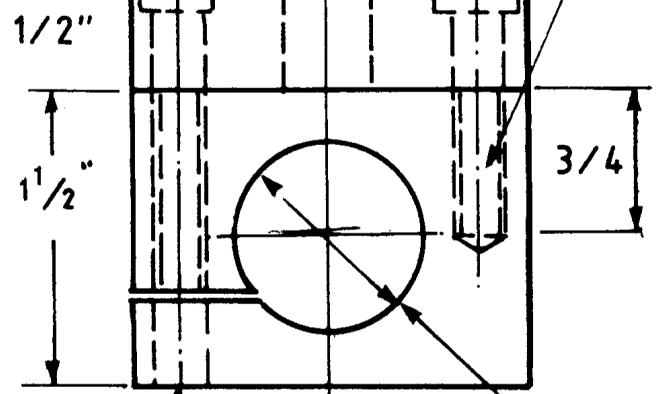
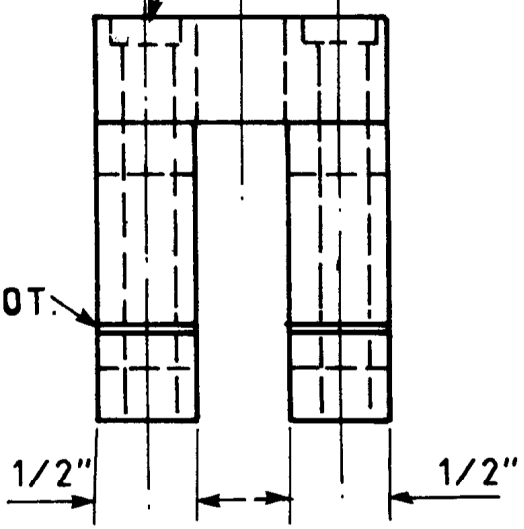


CLEARANCE FOR 1/4" B.S.F.
C'SK. OR C'BORE.

DRILL & TAP 1/4" N.C.



SLOT.



BORE 9/32"
DIA.

BORE 1" (25.4m.m.) DIA.
AS PAIR THEN MACHINE
ALL OVER.