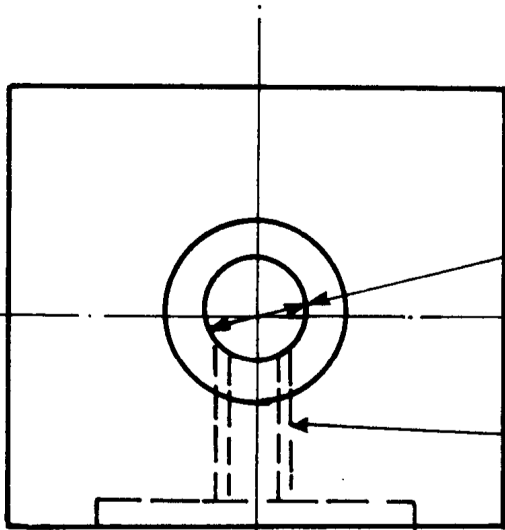
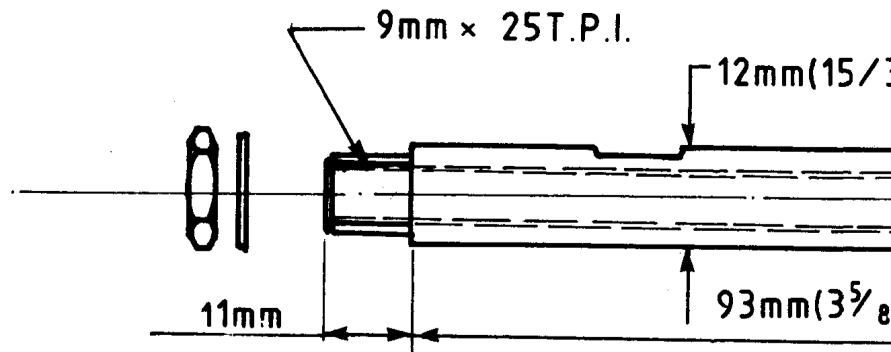


PLE LATHE

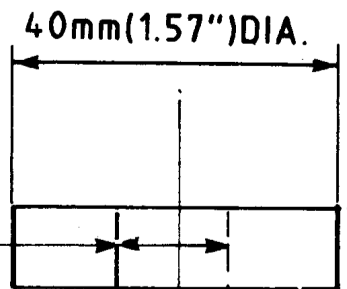
DETAIL OF HEAD STOCK HO



BORE 12.7mm
(1/2" DIA.)

DRILL 13.5mm
(17/32") DIA.

DRILL & TAP 1/4" N.C.



DRILL 20mm
(25/32")

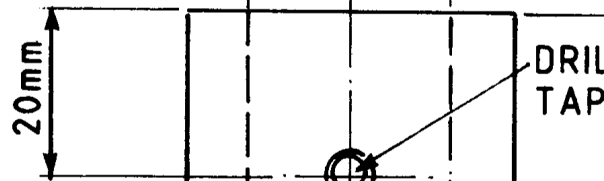
PART

FIG. 3.

C'BORE 40mm
(1.58" Ø FOR
SLIDE FIT INTO

25mm (1")

COUNTER BORE
10mm (13/32")



DRILL
TAP

BORE 25.4mm (1.0") Ø
APPROX. TO SUIT
NEAREST AVAILABLE
ROUNDSTOCK FOR
BED. FIRM PUSH FIT

PART

DRILL & TAP
1/2" N.C.

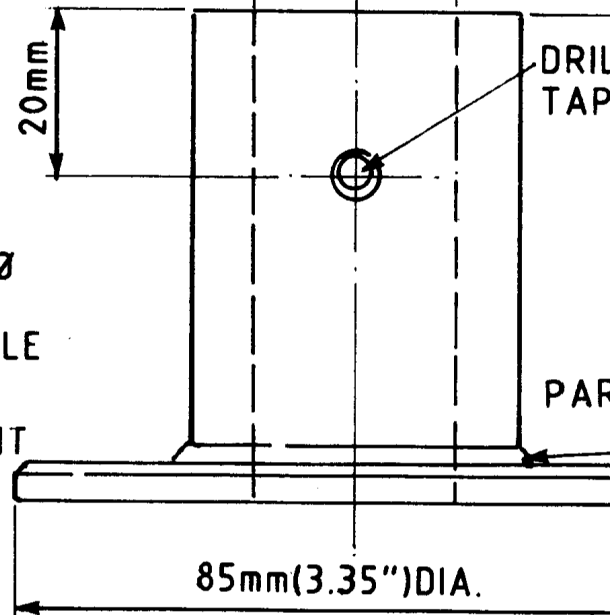


FIG. 4.