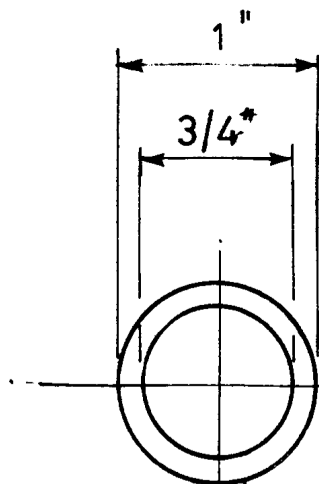
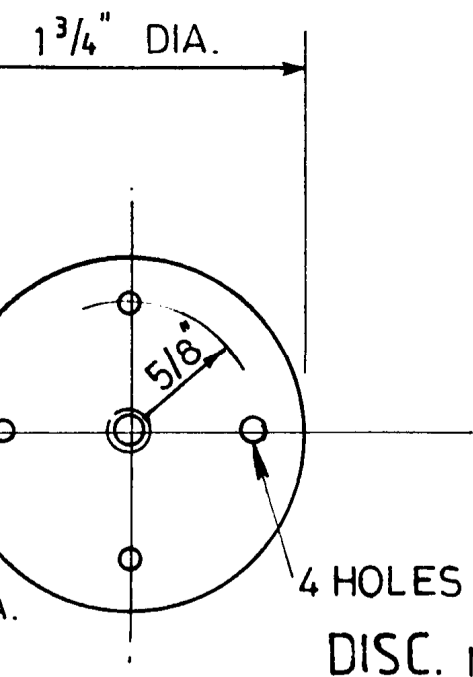
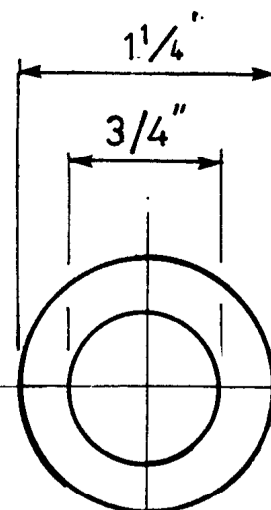


7

8



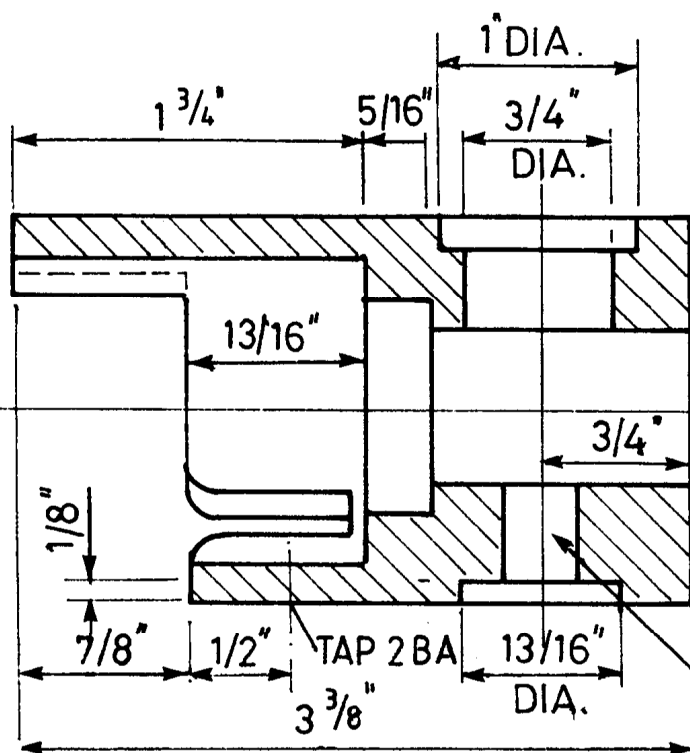
1 off M.S  
1 off FIBRE



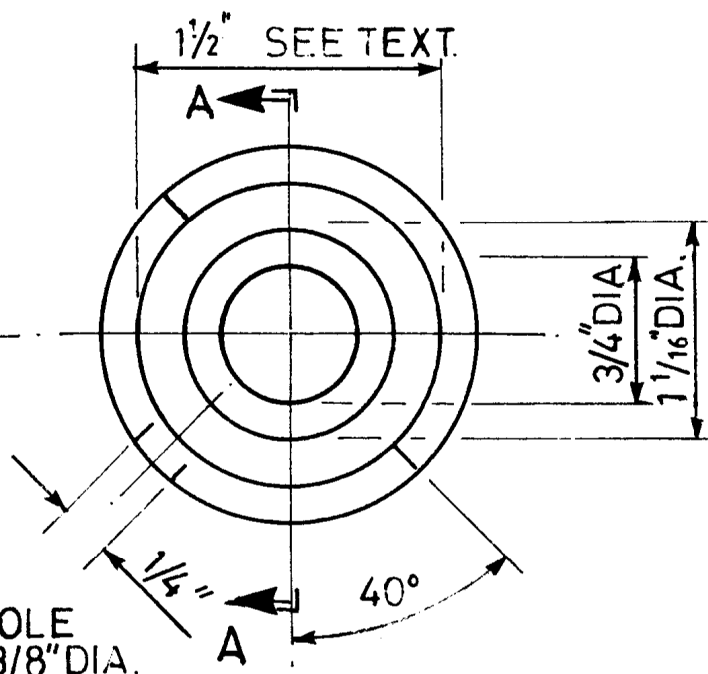
1 off M.S

SHAFT WASHERS 0.05" THICK.

11



HOLE 3/8" DIA.



SECTION ON A-A.

THRUST BLOCK  
MILD STEEL