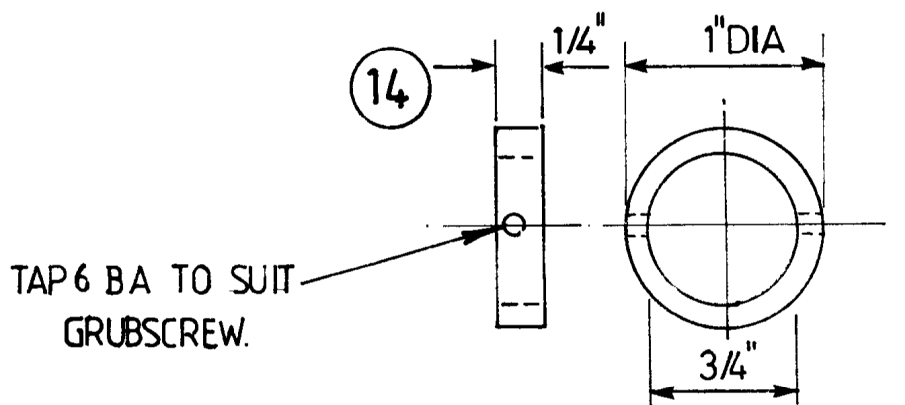
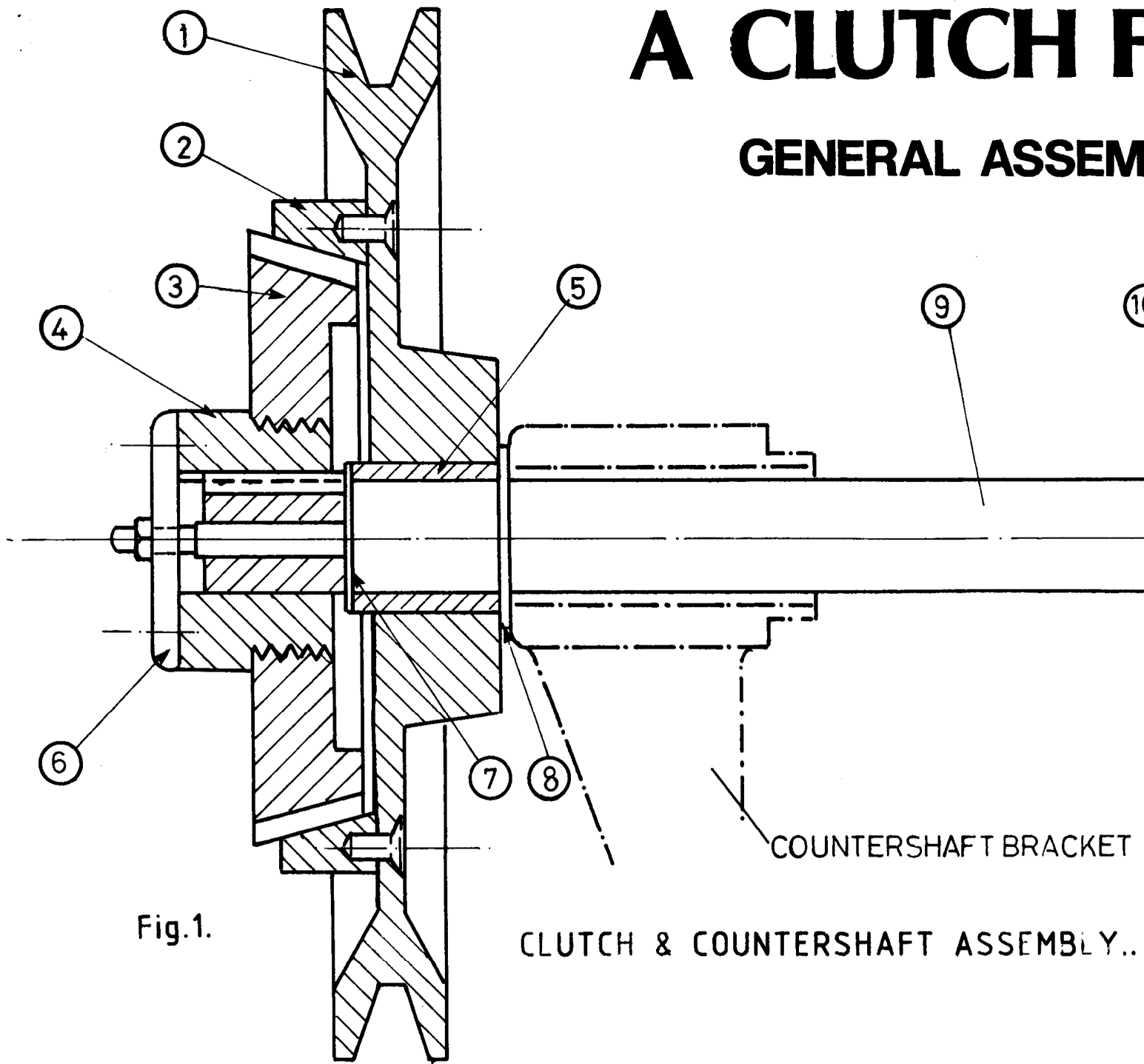


A CLUTCH P

GENERAL ASSEMB



THRUST COLLAR
MILD STEEL