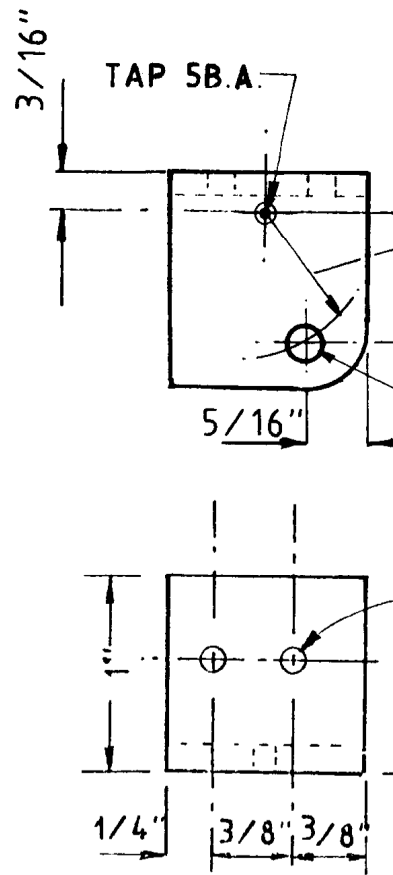
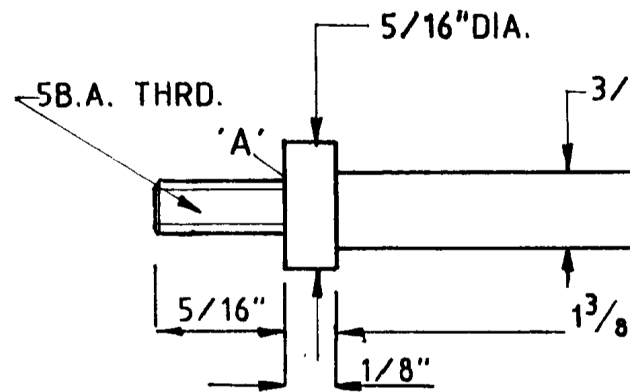
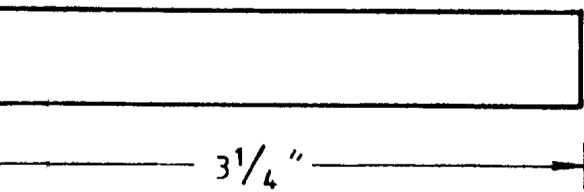


FIXED BRACKET  
1 off  
FROM BLACK OR BRIGHT  
MILD STEEL 1"x1"x1/8"  
ANGLE. SCREWS TO MAIN BODY



MOVING B  
FROM  
MILD S  
MAKE T  
& SCRE



ADJUSTER SCRE  
1 off.  
MAT  
FIT