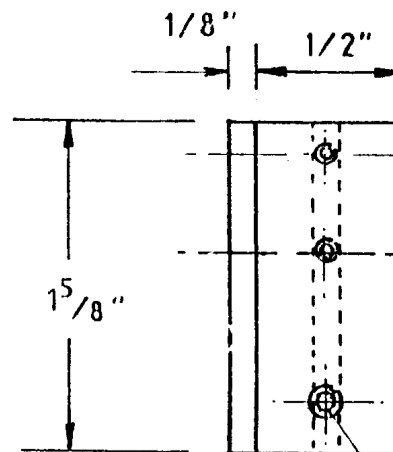
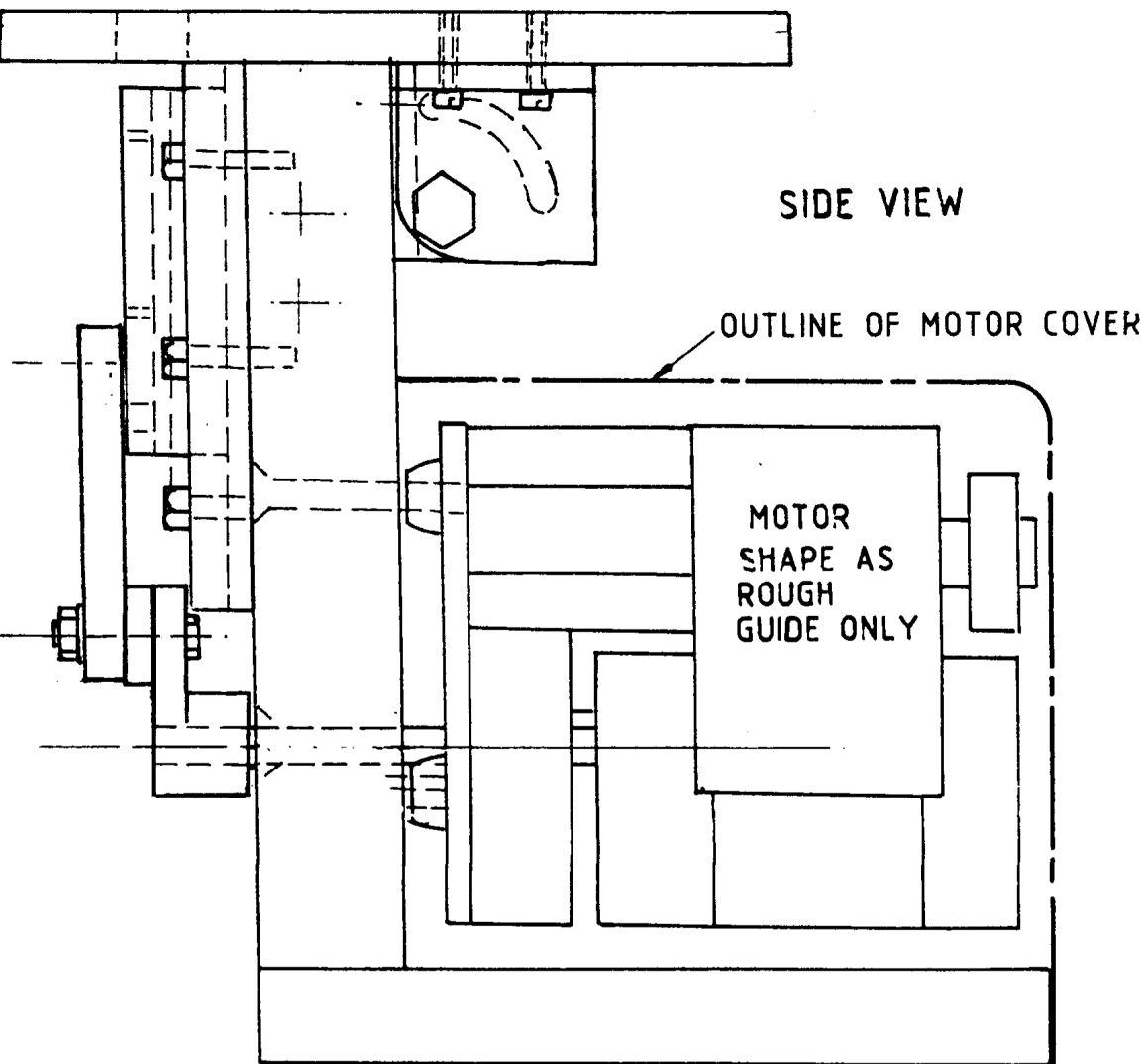
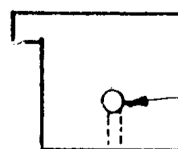


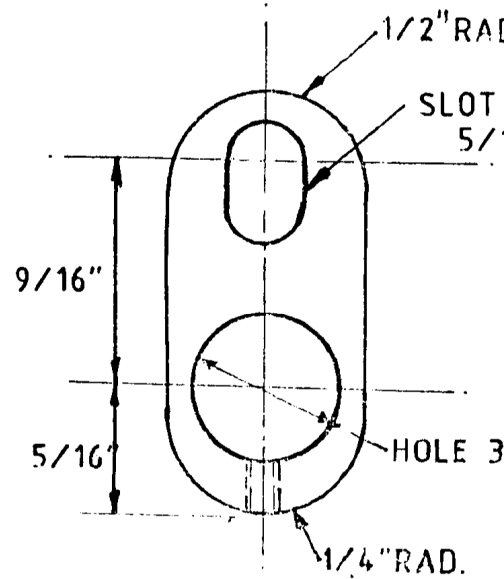
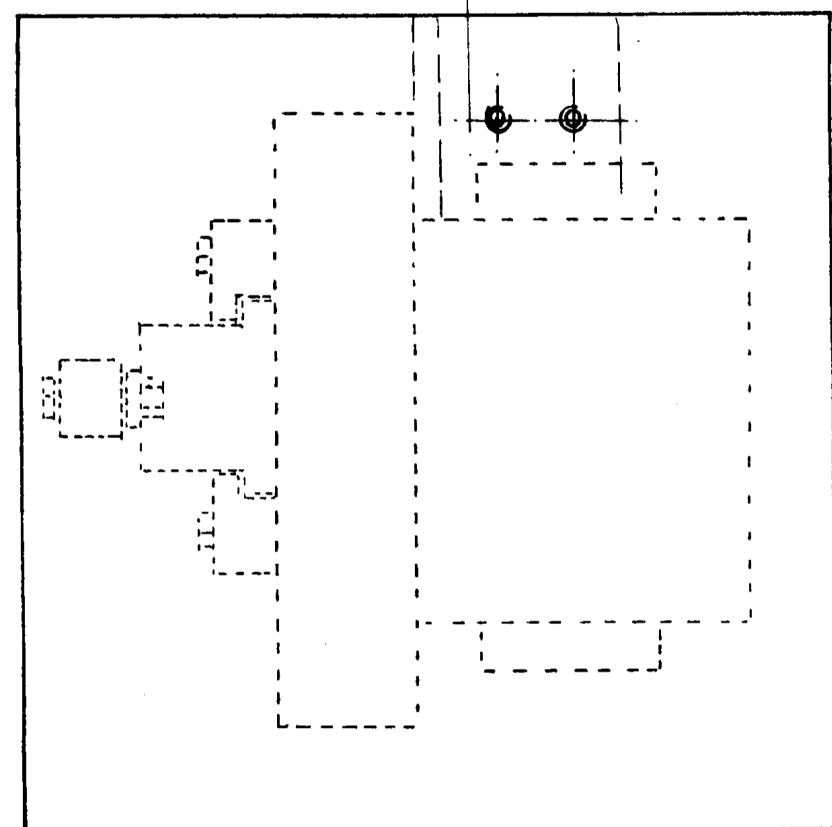
GUARD.



TAP 2BA x9/16Dp. FOR PIN.



SLIDING E 1of



CRANK 1off MILD SCALE 2:1