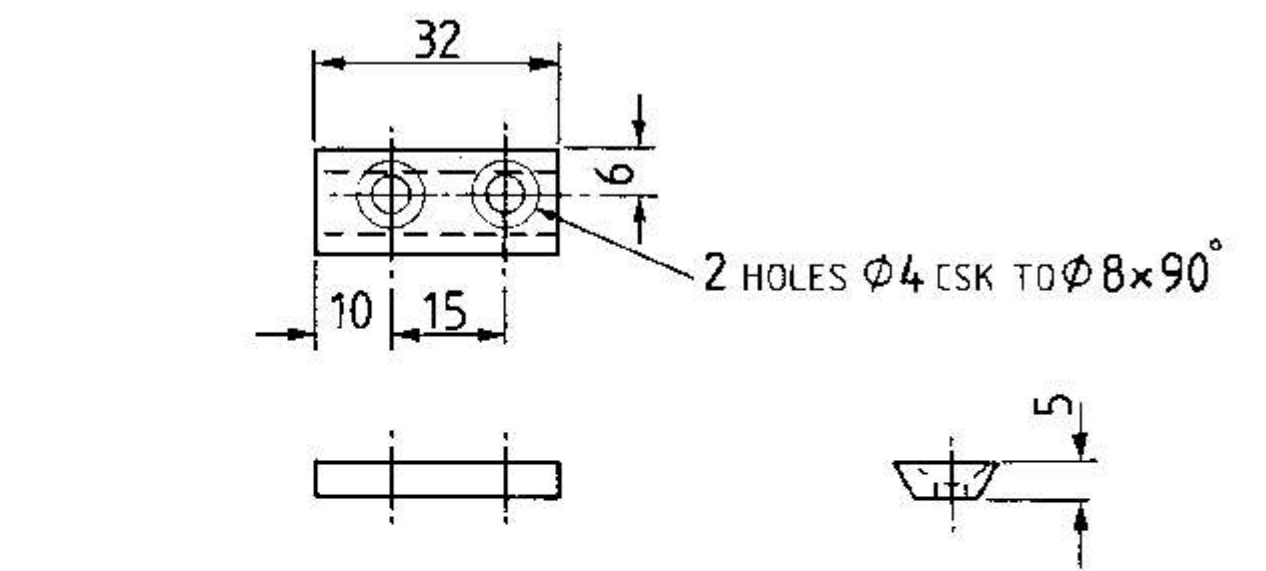
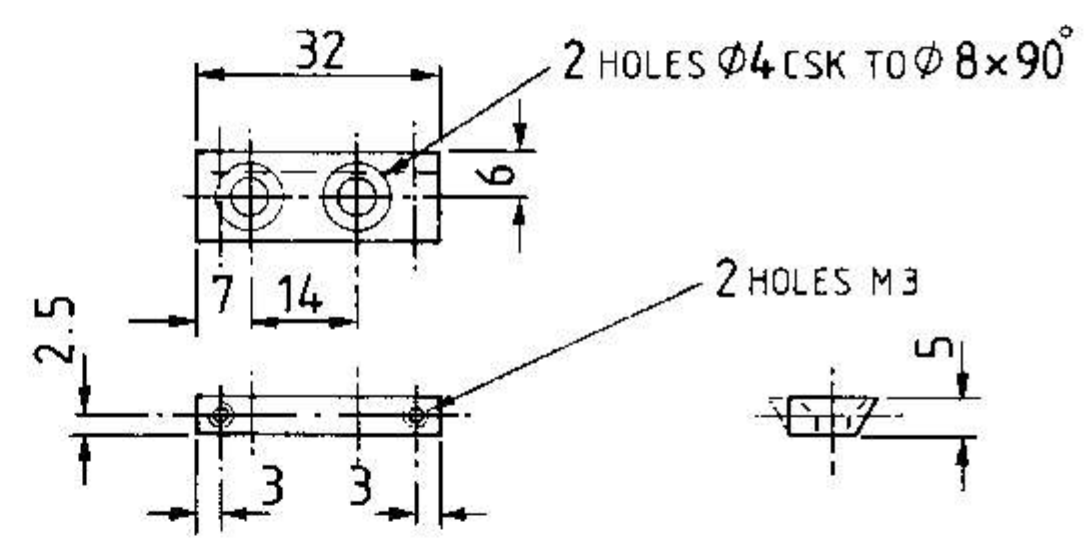


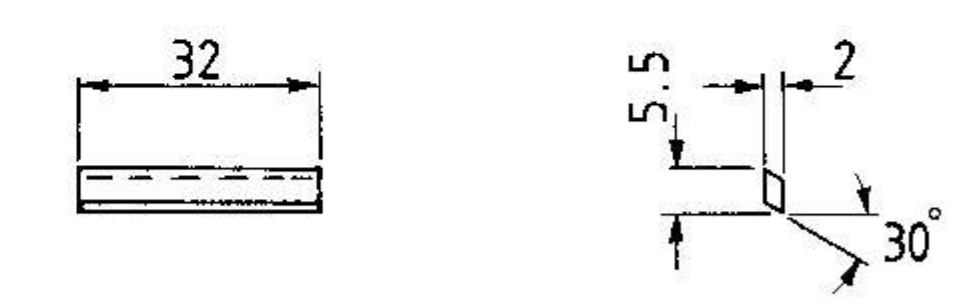
ITEM 1 BASE MILD STEEL QTY 1 (BMS 72x50x6)



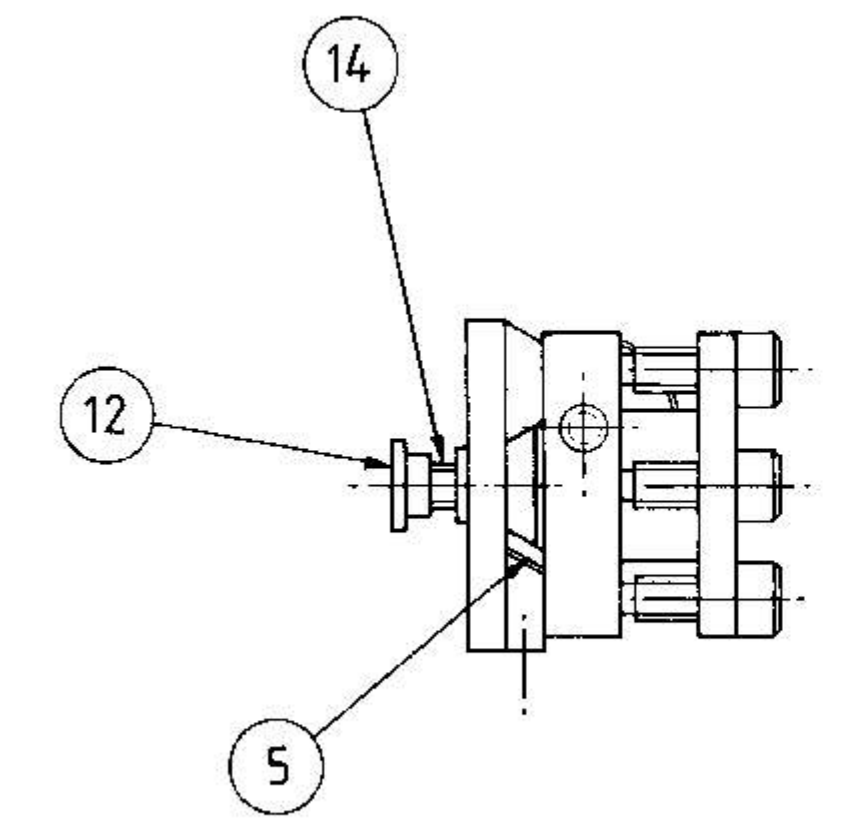
ITEM 3 UPPER SLIDEWAY MILD STEEL QTY 1 SEE FIG 1



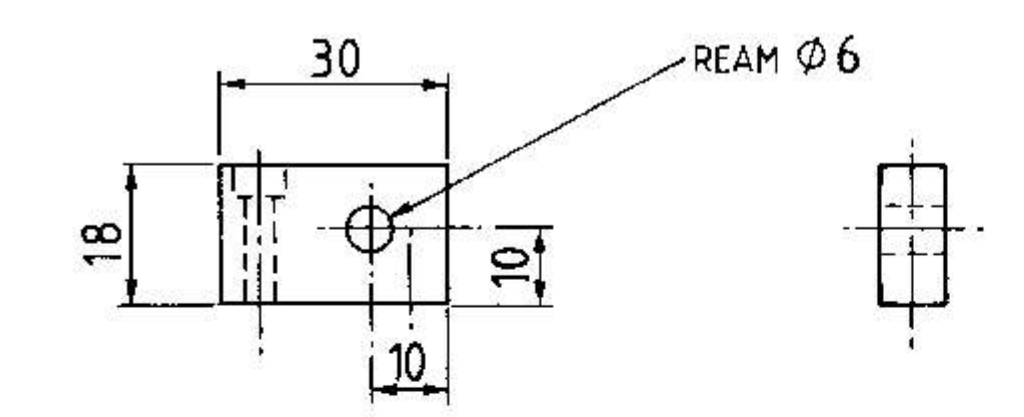
ITEM 4 UPPER SLIDEWAY MILD STEEL QTY 1 SEE FIG 1



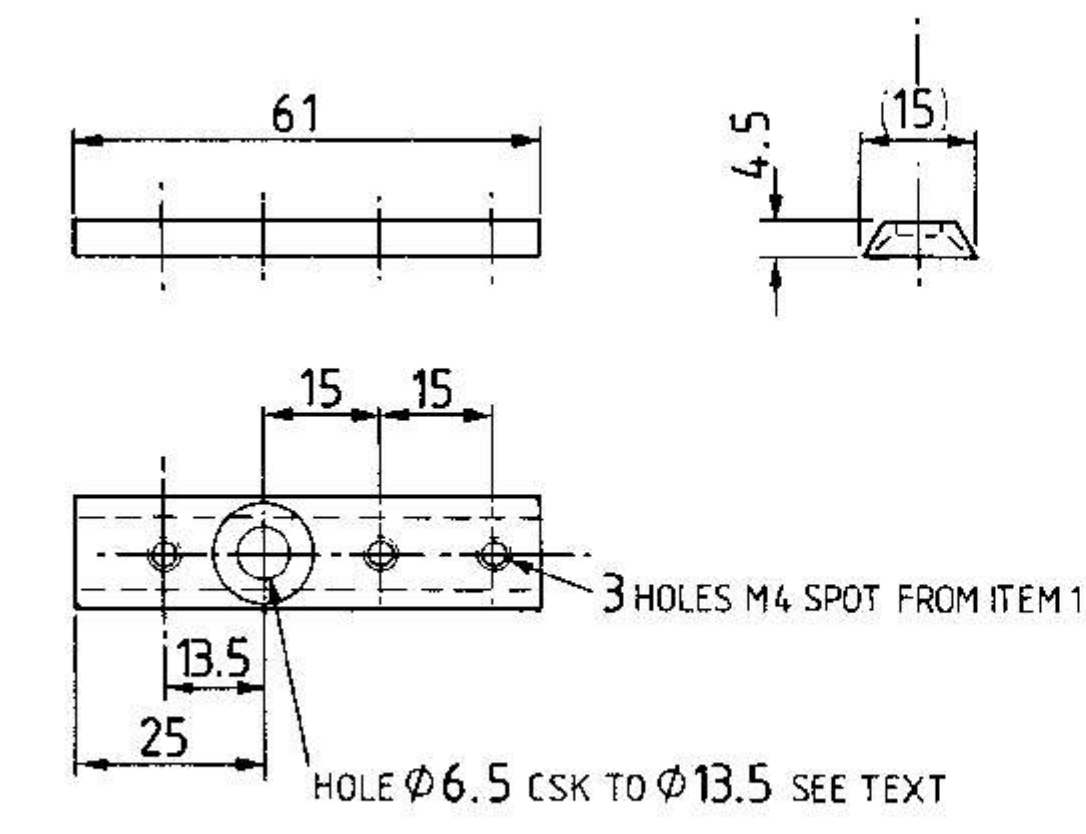
ITEM 5 GIB STRIP BRASS QTY 1 (BRASS 32x5.5x2)



DRILL & C/BORE FOR M4 SOC HD CAP SCR



ITEM 6 LEADSCREW SUPPORT MILD STEEL QTY 1 (BMS 30x18x9)



ITEM 2 LOWER SLIDEWAY MILD STEEL QTY 1 SEE FIG 1

